

R15IT3S-SPC369

15" Intel® Core™ i5-1135G7 IP69K Stainless PCAP Chassis Panel PC



KEY FEATURES

- 15", 1024 x 768 P-cap touch with flat design
- 11th Generation Intel® Core™ i5-1135G7 2.4GHz (up to 4.2GHz)
- SUS 316 / AISI 316 stainless steel for food and chemical industries
- Full IP69K waterproof enclosure
- A true flat, easy-to-clean front surface with edge-to-edge design
- Plenty of I/Os, including USB 2.0, RS232 and RJ45-10/100/1000 LAN
- Waterproof ports with adapter cables for external connectivity
- Support VESA/ YOKE mount
- Support Glove/ Rain mode
- Optical bonding (optional)



OVERVIEW



Waterproof All-Around

The Panel PC fully complies with IP69K water and dust resistance to survive splashing conditions during stringent cleanup processes and strict hygiene demands in the Food, Beverage, and Pharmaceutical industries.



Comprehensive Stainless Solution

The wide range of stainless human-machine interfaces (HMI) and Panel PCs are widely used for automation processes in Food & Beverage applications and chemical factories.



Projected Capacitive Multi-Touch (P-CAP)

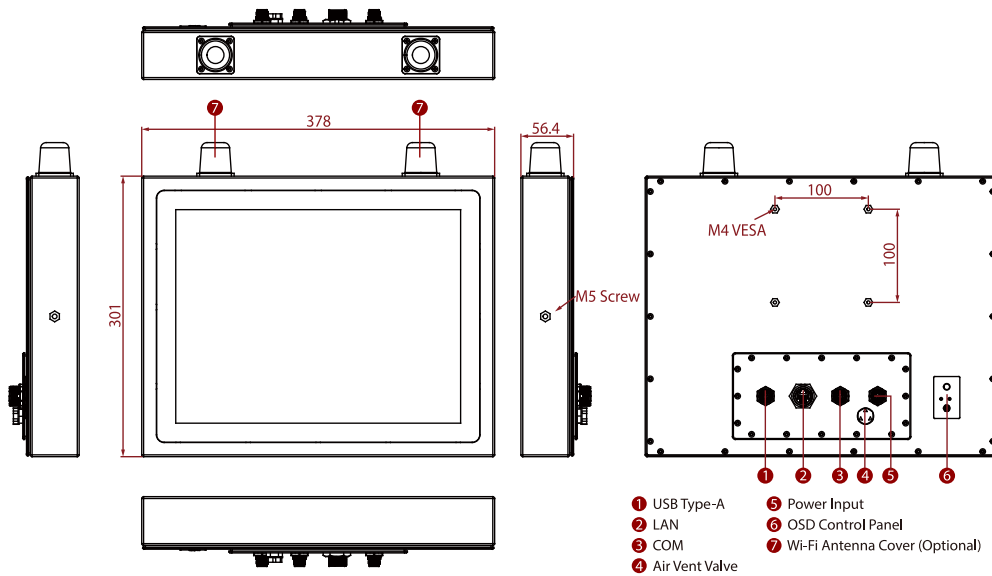
The highly-sensitive touch screen and PCAP multi-touch support make it easy for users to key in data, rotate images, drag and drop files, and zoom in with two or more fingers.

SPECIFICATIONS

| Display | | | |
|----------------------|---|---------------------|--|
| Resolution | 1024x768 | Size | 15.0 inches |
| Contrast Ratio | 2000:1 | Panel Brightness | 300.0 nits |
| View Angles | 88,88,88,88 | Active Area | 304.1x228.1 mm |
| Touch / Glass | Projected Capacitive Multi Touch Screen | | |
| System Specification | | | |
| WLAN | Support (Optional) | BT | Support (Optional) |
| Processor | Intel Core i5-1135G7 2.4GHz (up to 4.2GHz) | Memory | 1 x SO-DIMM, DDR4 3200 MHz, 4GB 8GB (Optional) 16GB (Optional) 32GB (Optional) |
| Storage | 1 x M.2 2280 M-Key NVMe SSD 128GB 256GB (Optional) 512GB (Optional) 1TB (Optional) 2TB (Optional) 1 x SATA III for 2.5" SSD/HDD up to 2TB (Optional) | Ethernet controller | 2 x Intel® Ethernet Controller |
| Security | TPM 2.0 | Operating System | Windows 11 IoT Enterprise (64 bit) (Optional) Windows 11 Pro 64 bit (Optional) Linux Ubuntu 22.04(Do not support Wake on Touch) (Optional) |

| Mechanical | | | |
|---------------------|---|-----------------------|--|
| Dimension | 378 x 301 x 56.4 mm | Weight | 6.3Kg |
| Mounting | VESA Mount Yoke Mount | Enclosure | Stainless Housing |
| Cooling System | Fanless design | | |
| Environment | | | |
| Operating Humidity | 10% to 90% RH, Non-Condensing | Operating Temperature | 0°C to 45°C |
| Storage Temperature | -20°C to 60°C | IP rating | IP69K |
| Certification | | | |
| Certification | CE, FCC | | |
| IO Ports | | | |
| Power Input | 1 x M12 waterproof connector for 12V DC | USB Port | 1x M12 waterproof connector for 2 x USB2.0 |
| Serial Port | 1 x M12 waterproof connector for RS232 | LAN | 1 x waterproof Giga LAN RJ45 connector |
| Indicator | 1 x LED Indicator for power 1 x LED Indicator for storage | | |
| Control | | | |
| Button | 1 x Power Button 1 x Reset Button | | |
| Accessory | | | |
| Accessory | 100~240V AC to DC Adapter with waterproof connector Power Cord External USB cable with waterproof connector External COM cable with waterproof connector External LAN cable with waterproof connector Waterproof caps VESA screws | | |
| Power | | | |
| Power Rating | 12V DC (M12 type) | | |

DIMENSIONS UNIT:MM



NOTE

1. This is a simplified drawing and some components are not marked in detail.
2. Please contact our sales representative if you need further product information.
3. All specifications are subject to change without prior notice.
4. The product shown in this datasheet is a standard model. For diagrams that contain customized or optional I/O, please contact the Winmate Sales Team for more information.

Assured Systems

Assured Systems is a leading technology company with over 1,500 regular clients in 80 countries, deploying over 85,000 systems to a diverse customer base in 12 years of business. We offer high-quality and innovative rugged computing, display, networking and data collection solutions to the embedded, industrial, and digital-out-of-home market sectors.

US

sales@assured-systems.com

Sales: +1 347 719 4508
Support: +1 347 719 4508

1309 Coffeen Ave
Ste 1200
Sheridan
WY 82801
USA

EMEA

sales@assured-systems.com

Sales: +44 (0)1785 879 050
Support: +44 (0)1785 879 050

Unit A5 Douglas Park
Stone Business Park
Stone
ST15 0YJ
United Kingdom

VAT Number: 120 9546 28
Business Registration Number: 07699660