

R19L100-MLA3

19" G-WIN Defence Display



KEY FEATURES

- 19" 1280 x 1024 resolution
- Compliant MIL-STD 810G/ MIL-STD 461E
- Fanless, streamlined enclosure for highly efficient heat dissipation
- Convenient on-screen display controls
- Wide operating temperature -40°C~70°C
- Power input 9~36 V DC with isolation
- Supports VESA mount
- Built-in intelligent heater design
- Support PIP Function



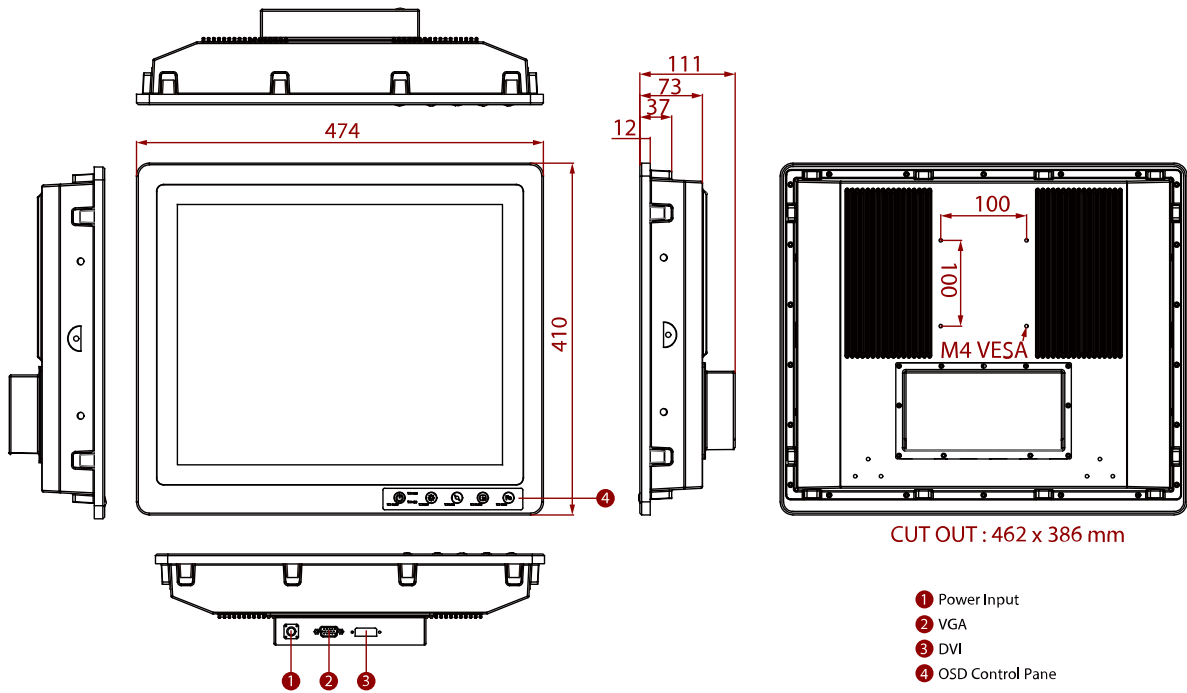
SPECIFICATIONS

Display			
Resolution	1280x1024	Size	19 inches
Contrast Ratio	1000:1	Panel Brightness	350 nits
Display Color	16.7M Colors	View Angles	85,85,80,80
Active Area	376.32x301.06 mm	Touch / Glass	AR Protection Glass 5 Wires Resistive Touch (Optional) 5 Wire Resistive with EMI Mesh Filter (Optional) EMI Glass (Optional)
Environment			
Operating Humidity	10% to 95% RH	Operating Temperature	-40°C~70°C
Storage Temperature	-40°C~70°C	Shock	Operating:30g for 18ms
Vibration	Operating: 1.60/1.96/2.18 g rms for XYZ / 5-500Hz		
Compliance			
MIL-STD 461E/F	RE101 / RE102 CE101 / CE102 with EMI Glass / Touch(Optional) RS101 / RS 103 CS101 / CS 106 / CS 109 / CS 114 / CS 115 / CS 116	MIL-STD 810F/G	Vibration Method 514.5 Humidity Method 507.4 Transit Drop Method516.5
Certification			
Certification	CE, FCC		
IO Ports			
Serial Port	1 x RS232 Remote Control (Optional)	Video	1 x D-Sub 15 VGA 1 x DVI-D
Mechanical			
Dimension	474 x 410 x 111 mm	Mounting	VESA Mount/ Wall Mount
Enclosure	Metal Housing with Aluminum Bezel	Cooling System	Fanless Design
Accessory			
Accessory	User Manual AC Adapter 12V/ 84W		

Open Wire Cable
Power Converter Cable, 0.15m
VGA, 1.8m
DVI Cable, 1.8m
COM Cable, 1.8m

Power	
Power Rating	9~36V DC Power input with isolation
Control	
Button	8 key: Power Menu Auto Volume Up/ Swap Volume Down/ PIP Brightness Up Brightness Down LED Adjustment

DIMENSIONS UNIT:MM



NOTE

1. This is a simplified drawing and some components are not marked in detail.
2. If you require an external test report, Winmate will charge an NRE fee.
3. Please contact our sales representative if you need further product information.
4. All specifications are subject to change without prior notice.
5. The product shown in this datasheet is a standard model. For diagrams that contain customized or optional I/O, please contact the Winmate Sales Team for more information.

Assured Systems

Assured Systems is a leading technology company with over 1,500 regular clients in 80 countries, deploying over 85,000 systems to a diverse customer base in 12 years of business. We offer high-quality and innovative rugged computing, display, networking and data collection solutions to the embedded, industrial, and digital-out-of-home market sectors.

US

sales@assured-systems.com

Sales: +1 347 719 4508
Support: +1 347 719 4508

1309 Coffeen Ave
Ste 1200
Sheridan
WY 82801
USA

EMEA

sales@assured-systems.com

Sales: +44 (0)1785 879 050
Support: +44 (0)1785 879 050

Unit A5 Douglas Park
Stone Business Park
Stone
ST15 0YJ
United Kingdom

VAT Number: 120 9546 28
Business Registration Number: 07699660