

# W32L100-PTA1

## 32" Multi-Touch Color Surgical Display



### KEY FEATURES

- 32" Multi-Touch Color Surgical Display (3840 x 2160) native resolution
- Projected Capacitive Touch
- Bottom side keys x 5
- Fanless and Ventless design, Easy-to-Clean, Multi-Touch Color Surgical Display
- Support VGA , DVI , HDMI , DP variety signal input
- Support IR Remote controller
- Housing with antimicrobial properties
- Front IP65

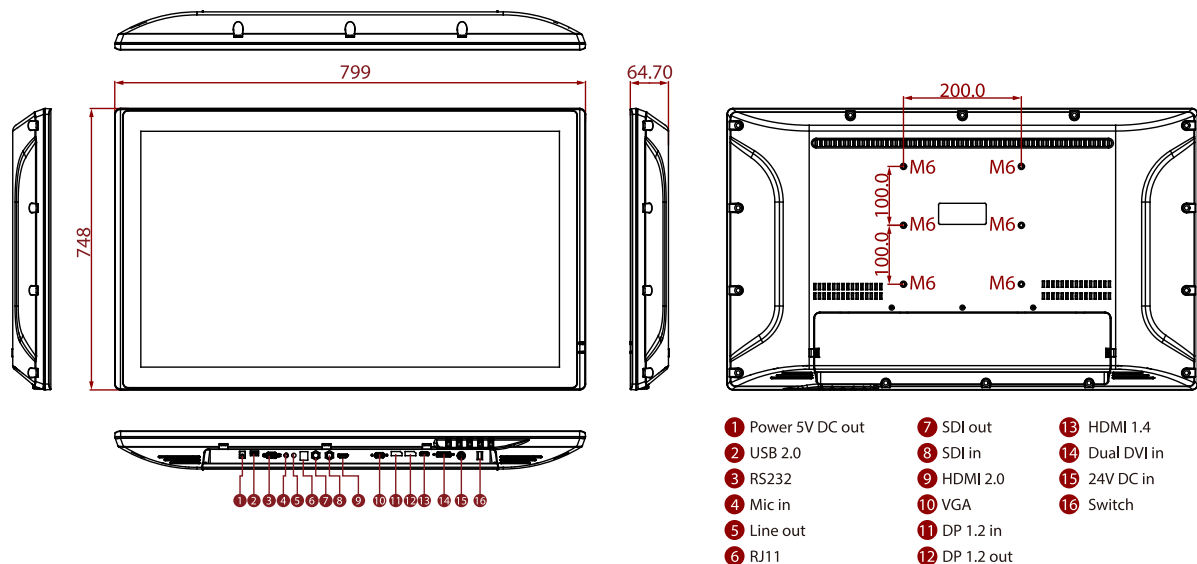


### SPECIFICATIONS

Display			
<b>Resolution</b>	3840x2160	<b>Size</b>	32.0 inches
<b>Contrast Ratio</b>	1000:1	<b>Panel Brightness</b>	350.0 nits
<b>Display Color</b>	1.07B Colors	<b>View Angles</b>	89,89,89,89
<b>Active Area</b>	708.48x398.52 mm	<b>Touch / Glass</b>	Projected Capacitive Multi Touch Screen
Environment			
<b>Operating Humidity</b>	10% to 90% RH, Non-Condensing	<b>Operating Temperature</b>	0°C to 35°C
<b>Storage Temperature</b>	-20°C to 60°C		
Certification			
<b>Certification</b>	IEC 60601-1:2005 + A1:2012 (Ed. 3.1) IEC 60601-1-6:2010 + A1:2013 (Ed. 3.1) IEC 62366:2007 + A1:2014 (Ed. 1.1) ANSI/AAMI ES60601-1:2005/A1:2012 and C1:2009/(R)2012 and A2:2010/(R)2012 CAN/CSA-C22.2 No.60601-1:14 EN 60601-1-2:2015, IEC 60601-1-2:2014 (Ed. 4.0) EN 55032/EN 55024, FCC part 15B EN 62368-1:2014 RoHS-2, REACH, WEEE compliant		
IO Ports			
<b>USB Port</b>	1 x USB 2.0	<b>Serial Port</b>	1 x RS-232
<b>Video</b>	1 x Dual DVI In 1 x DP 1.2 Out 1 x DP 1.2 In 1 x VGA In 1 x SDI in 1 x SDI out 1 x HDMI 1.4 (Optional) 1 x HDMI 2.0 (Optional)	<b>Audio</b>	1 x Mic In 1 x Line Out 2 x Speaker
<b>GPIO</b>	1 x RJ-11		
Mechanical			
<b>Dimension</b>	799 x 478 x 63.7 mm	<b>Weight</b>	18.5 kg

<b>Mounting</b>	VESA Mount	<b>Enclosure</b>	Plastic
<b>Cooling System</b>	Fanless Design		
<b>Accessory</b>			
<b>Accessory</b>	Remote Control User Manual VESA Mounting Screws 24 Volt Power Supply Power Cable VGA Cable DVI Cable SDI Cable DC Jack to Open Wire Cable RS232 Cable	<b>Optional Accessory</b>	USB Cable for Touch (Optional)
<b>Power</b>			
<b>Power Rating</b>	24V DC in		
<b>Control</b>			
<b>Button</b>	5 Keys: -, +, Power, Esc, Enter		

**DIMENSIONS** UNIT:MM



**NOTE**

1. This is a simplified drawing and some components are not marked in detail.
2. Please contact our sales representative if you need further product information.
3. All specifications are subject to change without prior notice.
4. The product shown in this datasheet is a standard model. For diagrams that contain customized or optional I/O, please contact the Winmate Sales Team for more information.

## Assured Systems

Assured Systems is a leading technology company with over 1,500 regular clients in 80 countries, deploying over 85,000 systems to a diverse customer base in 12 years of business. We offer high-quality and innovative rugged computing, display, networking and data collection solutions to the embedded, industrial, and digital-out-of-home market sectors.

### US

[sales@assured-systems.com](mailto:sales@assured-systems.com)

Sales: +1 347 719 4508  
Support: +1 347 719 4508

1309 Coffeen Ave  
Ste 1200  
Sheridan  
WY 82801  
USA

### EMEA

[sales@assured-systems.com](mailto:sales@assured-systems.com)

Sales: +44 (0)1785 879 050  
Support: +44 (0)1785 879 050

Unit A5 Douglas Park  
Stone Business Park  
Stone  
ST15 0YJ  
United Kingdom

VAT Number: 120 9546 28  
Business Registration Number: 07699660