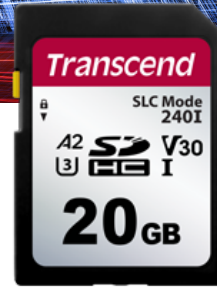




**Embedded Solutions**



SD Cards  
**SDC240I**

Utilizing top-quality 112-layer 3D NAND flash with SLC Mode technology, and rated to endure 100K P/E cycles, Transcend's SDC240I SD card combines the advantages of high performance and exceptional endurance at an affordable price. Transcend's SDC240I is able to operate in wide operating temperatures of -40°C~85°C, ideal for write-intensive applications such as outdoor transportation, surveillance systems, digital signage, and POS terminals.

**Hardware Features**

- Compliant with UHS-I
- Compliant with Application Performance Class 2 (A2)
- Compliant with Video Speed Class 30 (V30)
- Endurance: 100K P/E cycles (Program/Erase cycles) guaranteed
- Promised operational reliability in a wide temperature range (from -40°C to 85°C)

**Ordering Information**

20GB	TS20GSDC240I
40GB	TS40GSDC240I
80GB	TS80GSDC240I
160GB	TS160GSDC240I
320GB	TS320GSDC240I

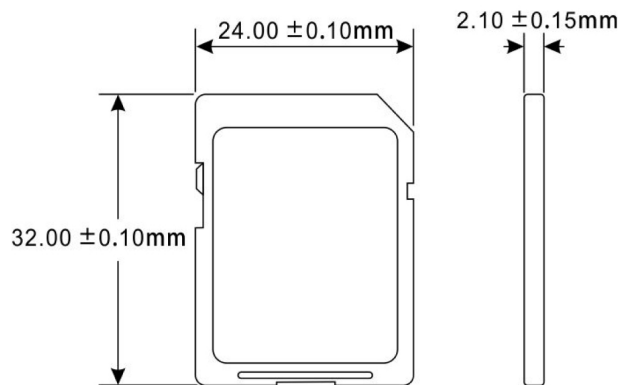
**Firmware Features**

- Early Move
- Supports S.M.A.R.T. function to conduct health monitoring, analysis, and reporting for storage devices
- Built-in ECC (Error Correction Code) functionality
- Wear-Leveling

## Specifications

<b>Appearance</b>	Dimensions	24 mm x 32 mm x 2.1 mm (0.94" x 1.26" x 0.08")
	Form Factor	SD flash card
<b>Storage</b>	Flash Type	112-layer 3D NAND flash (SLC mode)
	Capacity	20 GB / 40 GB / 80 GB / 160 GB / 240 GB / 320 GB
<b>Operating Environment</b>	Operating Voltage	2.7V ~ 3.6V
	Drop Test	1.5m free fall
	Operating Temperature	Wide Temp. -40°C (-40°F) ~ 85°C (185°F)
	Storage Temperature	-40°C (-40°F) ~ 85°C (185°F)
	Humidity	0% ~ 95%
	Shock	Acceleration: 490 m/s <sup>2</sup> (standard holding time: 11 ms, semi-sine wave, velocity change: 3.44 m/s)
	Vibration (Operating)	20 G (peak-to-peak), 20 Hz ~ 2000 Hz (frequency)
<b>Power</b>	Power Consumption (Max.)	2.88 watt(s)
<b>Performance</b>	Read Speed (Max.)	up to 100 MB/s
	Write Speed (Max.)	up to 80 MB/s
	Terabytes Written (TBW)	up to 1690 TBW
<b>Warranty</b>	Certificate	CE / FCC / BSMI / UKCA
	Warranty	Three-year Limited Warranty

## Mechanical Dimensions



Product specifications are subject to change without notice. Pictures shown may differ from actual products. Total accessible capacity varies depending on operating environment. Due to the complexity and variety of industrial applications, Transcend cannot guarantee 100% compatibility with all platforms and under all scenarios. For special applications and environments, it is strongly suggested that you contact Transcend beforehand for clarification.

## Assured Systems

Assured Systems is a leading technology company with over 1,500 regular clients in 80 countries, deploying over 85,000 systems to a diverse customer base in 12 years of business. We offer high-quality and innovative rugged computing, display, networking and data collection solutions to the embedded, industrial, and digital-out-of-home market sectors.

### US

[sales@assured-systems.com](mailto:sales@assured-systems.com)

Sales: +1 347 719 4508  
Support: +1 347 719 4508

1309 Coffeen Ave  
Ste 1200  
Sheridan  
WY 82801  
USA

### EMEA

[sales@assured-systems.com](mailto:sales@assured-systems.com)

Sales: +44 (0)1785 879 050  
Support: +44 (0)1785 879 050

Unit A5 Douglas Park  
Stone Business Park  
Stone  
ST15 0YJ  
United Kingdom

VAT Number: 120 9546 28  
Business Registration Number: 07699660