



PROLITE TF1534MC-B7X



**15" 10pt touch Open Frame monitor with Touch Through-Glass function**

The ProLite TF1534MC-B7X uses 10 pt Projective Capacitive touch technology built into an eye catching bezel with edge-to-edge glass, which guarantees high durability, scratch-resistance and perfect picture performance. The screen is IP65 rated which means it is dust and water resistant from the front. Together with the Touch-Through-Glass technology which delivers a seamless and accurate touch response, this makes the monitor an ideal solution for kiosk integrators, Instore Retail and behind-glass-retail. For ease of integration, the monitor can be equipped with optional external mounting brackets ([OMK1-1](#)).



**Touch technology - Capacitive**

This technology uses a sensor-grid of micro-fine wires integrated into the glass that covers the screen. Touch is detected because electrical characteristics of the sensor grid change when human finger is placed on the glass. Thanks to the glass overlay this technology is highly durable, and the touch function remains unaffected even if the glass is scratched. It offers perfect picture performance and will work with human finger (also latex gloved) and stylus-pen.



**Touch through-glass**

This through glass touch screen works right through glass and can turn glass surfaces into an interactive touch screen display. Use it on storefront windows, real estate office, in-store for POS or restaurants.

## 01 DISPLAY CHARACTERISTICS

|                         |   |
|-------------------------|---|
| Design                  | Open Frame  |
| Diagonal                | 15", 38cm   |
| Panel                   | TN LED  |
| Native resolution       | 1024 x 768 (0.8 megapixel)  |
| Aspect ratio            | 4:3   |
| Panel brightness        | 370 cd/m <sup>2</sup>   |
| Brightness              | 330 cd/m <sup>2</sup> with touch                                      |
| Light transmittance     | 90%   |
| Static contrast         | 700:1   |
| Response time (BTB)     | 8ms   |
| Viewing zone            | horizontal/vertical: 170°/160°, right/left: 85°/85°, up/down: 80°/80° |
| Colour support          | 16.2mIn (6bit + Hi-FRC)   |
| Horizontal Sync         | 31.4 - 60kHz  |
| Viewable area W x H     | 304 x 228mm   |
| Pixel pitch             | 0.297mm   |
| Bezel colour and finish | black, matte  |

## 02 TOUCH

|                             |   |
|-----------------------------|---|
| Touch technology            | projective capacitive   |
| Touch points                | 10 (HID, only with supported OS)  |
| Touch method                | stylus, finger, glove (latex)   |
| Touch interface             | USB   |
| Supported operating systems | All iiyama monitors are Plug & Play and compatible with Windows and Linux. For details regarding the supported OS for the touch models, please refer to the driver instruction file available in the downloads section. |
| Through-Glass               | 6mm   |
| Palm rejection              | yes   |

## 03 INTERFACES / CONNECTORS / CONTROLS

|                      |                           |
|----------------------|---------------------------|
| Analog signal input  | VGA x1                    |
| Digital signal input | HDMI x1<br>DisplayPort x1 |
| HDCP                 | yes                       |

## 04 FEATURES

|                           |   |
|---------------------------|---|
| Extra                     | anti-fingerprint coating, touch through-glass |
| Glass hardness            | 7H  |
| Water and dust protection | IP65 (front)                                  |
| OSD key lock              | yes   |

## 05 GENERAL

|                 |   |
|-----------------|---|
| OSD languages   | EN, DE, FR, ES, IT, CN, JP  |
| Control buttons | Menu, Scroll up/ Brightness, Scroll down/ Contrast, Select, Power |

|               |  |
|---------------|--|
| User controls | picture (contrast, brightness, H.position, V.position, phase, clock, auto adjust), advanced (color temp., sharpness), OSD (time out, position, H-position, V-position, Touch switch), option (reset, language, source select, display mode, factory) |
|---------------|--|

|           |       |
|-----------|-------|
| Plug&Play | DDC2B |
|-----------|-------|

## 06 MECHANICAL

|             |                              |
|-------------|------------------------------|
| Orientation | landscape, portrait, face-up |
|-------------|------------------------------|

|               |             |
|---------------|-------------|
| VESA mounting | 100 x 100mm |
|---------------|-------------|

## 07 ACCESSORIES INCLUDED

|        |                      |
|--------|----------------------|
| Cables | power, USB, HDMI, DP |
|--------|----------------------|

|        |                                 |
|--------|---------------------------------|
| Guides | quick start guide, safety guide |
|--------|---------------------------------|

|       |            |
|-------|------------|
| Other | AC adapter |
|-------|------------|

|             |     |
|-------------|-----|
| Cable cover | yes |
|-------------|-----|

## 08 POWER MANAGEMENT

|                   |          |
|-------------------|----------|
| Power supply unit | external |
|-------------------|----------|

|              |            |
|--------------|------------|
| Power supply | DC DC 12 V |
|--------------|------------|

|             |  |
|-------------|--|
| Power usage | 9W typical, 1.5W stand by, 0.3W off mode |
|-------------|--|

## 09 SUSTAINABILITY

|             |  |
|-------------|--|
| Regulations | CE, EAC, RoHS support, ErP, WEEE, cULus, REACH |
|-------------|--|

|   |   |
|---|---|
| Energy efficiency class (Regulation (EU) 2017/1369) | E |
|---|---|

|            |                  |
|------------|------------------|
| REACH SVHC | above 0.1%: Lead |
|------------|------------------|

## 10 DIMENSIONS / WEIGHT

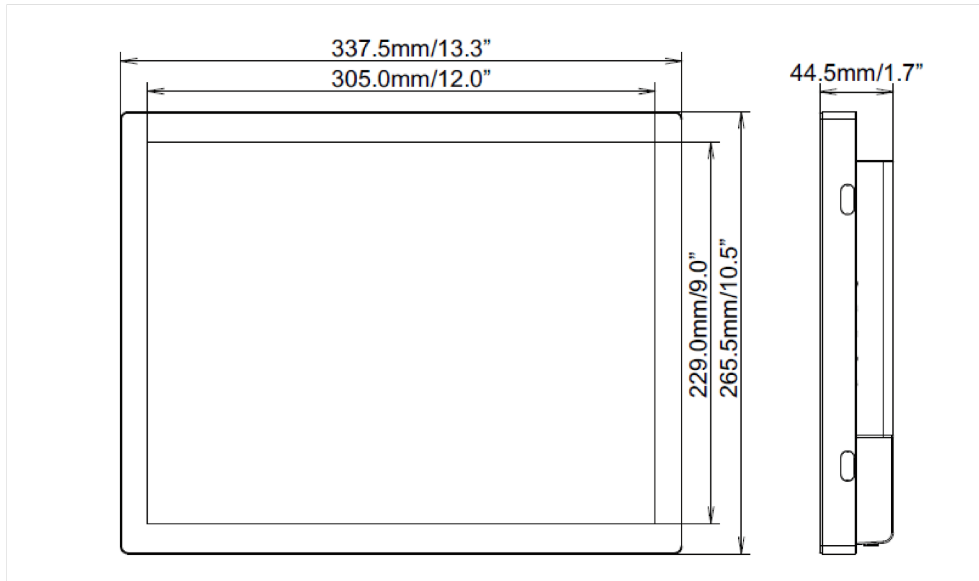
|                              |                        |
|------------------------------|------------------------|
| Product dimensions W x H x D | 337.5 x 265.5 x 44.5mm |
|------------------------------|------------------------|

|                          |                   |
|--------------------------|-------------------|
| Box dimensions W x H x D | 435 x 335 x 165mm |
|--------------------------|-------------------|

|                      |       |
|----------------------|-------|
| Weight (without box) | 2.7kg |
|----------------------|-------|

|                   |     |
|-------------------|-----|
| Weight (with box) | 4kg |
|-------------------|-----|

|          |               |
|----------|---------------|
| EAN code | 4948570118380 |
|----------|---------------|



*All trademarks and registered trademarks acknowledged. E & O E. Specification subject to change without notice. All LCD's comply with ISO-9241-307:2008 in connection with pixel defects.*

© IIYAMA CORPORATION. ALL RIGHTS RESERVED

## Assured Systems

Assured Systems is a leading technology company with over 1,500 regular clients in 80 countries, deploying over 85,000 systems to a diverse customer base in 12 years of business. We offer high-quality and innovative rugged computing, display, networking and data collection solutions to the embedded, industrial, and digital-out-of-home market sectors.

### US

[sales@assured-systems.com](mailto:sales@assured-systems.com)

Sales: +1 347 719 4508  
Support: +1 347 719 4508

1309 Coffeen Ave  
Ste 1200  
Sheridan  
WY 82801  
USA

### EMEA

[sales@assured-systems.com](mailto:sales@assured-systems.com)

Sales: +44 (0)1785 879 050  
Support: +44 (0)1785 879 050

Unit A5 Douglas Park  
Stone Business Park  
Stone  
ST15 0YJ  
United Kingdom

VAT Number: 120 9546 28  
Business Registration Number: 07699660