

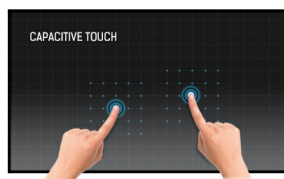


PROLITE T1624MSC-B1



**15.6" Full HD PCAP 10pt touchscreen monitor with IPS panel technology, integrated media player and a hinged stand on the back**

With 1920x1080 Full HD resolution and Projective Capacitive 10 point touch technology, the ProLite T1624MSC delivers seamless and accurate touch response. Featuring IPS Panel technology, it offers exceptional colour performance and wide viewing angles, making it an excellent choice for a vast array of demanding interactive applications. Users can benefit from its hinged stand allowing the monitor to lay down completely flat for use as a tablet. The T1624MSC comes equipped with several inputs and a SD card slot, as well as stereo speakers delivering good quality sound. An ideal screen for small interactive Digital Signage, InStore Retail and interactive presentations purposes.



**Touch technology - Capacitive**

This technology uses a sensor-grid of micro-fine wires integrated into the glass that covers the screen. Touch is detected because electrical characteristics of the sensor grid change when human finger is placed on the glass. Thanks to the glass overlay this technology is highly durable, and the touch function remains unaffected even if the glass is scratched. It offers perfect picture performance and will work with human finger (also latex gloved) and stylus-pen.



**Media player**

Play your favourite music and show your most beautiful videos, photos and images directly on screen from a flash drive or internal memory with the built-in media player.

## 01 DISPLAY CHARACTERISTICS

Design	Edge to edge glass
Diagonal	15.6", 39.5cm
Panel	IPS Panel Technology, LED
Native resolution	1920 x 1080 (2.1 megapixel HD)
Aspect ratio	16:9
Panel brightness	450 cd/m <sup>2</sup>
Brightness	385 cd/m <sup>2</sup> with touch
Light transmittance	85%
Static contrast	800:1 with touch
Response time (GTG)	25ms
Viewing zone	horizontal/vertical: 170°/170°, right/left: 85°/85°, up/down: 85°/85°
Colour support	16.7mIn 8bit
Horizontal Sync	30. - 84.kHz
Viewable area W x H	344.16 x 193.59mm, 13.5 x 7.6"
Pixel pitch	0.17925mm
Bezel colour and finish	black, matte

## 02 TOUCH

Touch technology	projective capacitive
Touch points	10
Touch method	finger, glove (latex), capacitive stylus
Touch interface	USB

## 03 INTERFACES / CONNECTORS / CONTROLS

Digital signal input	HDMI x1
Audio input	Mini jack x1
Audio output	Speakers 2 x 2W
USB ports	x2 (2.0)

## 04 FEATURES

Extra	media player, SD card slot
Max. non-stop operating time	24/7
Glass thickness	1.8mm
Glass hardness	6H
OSD key lock	yes

## 05 GENERAL

Control buttons	Power/Input select, navigation button (up, down, left, right, play/enter, pause), menu/exit
User controls	Photo, music, video, calendar, settings (OSD language, auto play, repeat mode, slideshow time, time, display mode, brightness, contrast, saturation, auto power, restore factory mode)

## 06 MECHANICAL

Orientation	landscape, portrait, face-up
VESA mounting	100 x 100mm

**07 ACCESSORIES INCLUDED**

Cables	USB, HDMI
Guides	quick start guide, safety guide
Other	AC adapter

**08 POWER MANAGEMENT**

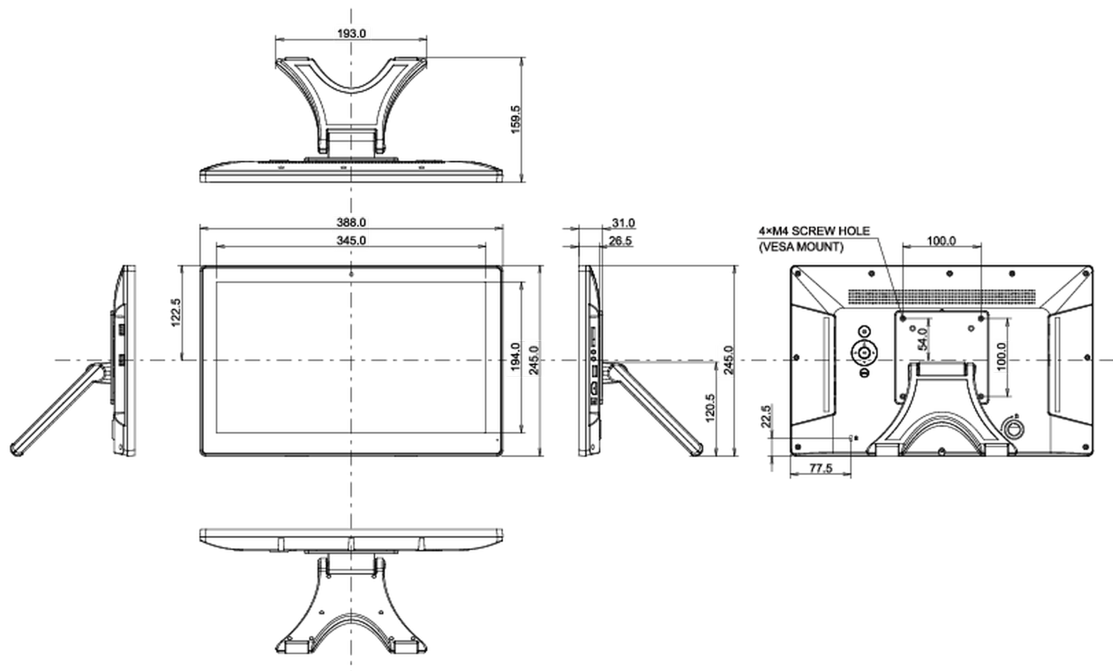
Power supply unit	external
Power supply	DC 12 V
Power usage	7W typical, 0.5W stand by, 0.1W off mode

**09 SUSTAINABILITY**

Regulations	CE, RoHS support, ErP, WEEE, REACH, UKCA
Energy efficiency class (Regulation (EU) 2017/1369)	E
REACH SVHC	above 0.1%: Lead

**10 DIMENSIONS / WEIGHT**

Product dimensions W x H x D	388 x 245 x 159.5mm
Weight (without box)	2.6kg
EAN code	4948570120451



*All trademarks and registered trademarks acknowledged. E & O E. Specification subject to change without notice. All LCD's comply with ISO-9241-307:2008 in connection with pixel defects.*

© IIYAMA CORPORATION. ALL RIGHTS RESERVED

## Assured Systems

Assured Systems is a leading technology company with over 1,500 regular clients in 80 countries, deploying over 85,000 systems to a diverse customer base in 12 years of business. We offer high-quality and innovative rugged computing, display, networking and data collection solutions to the embedded, industrial, and digital-out-of-home market sectors.

### US

[sales@assured-systems.com](mailto:sales@assured-systems.com)

Sales: +1 347 719 4508  
Support: +1 347 719 4508

1309 Coffeen Ave  
Ste 1200  
Sheridan  
WY 82801  
USA

### EMEA

[sales@assured-systems.com](mailto:sales@assured-systems.com)

Sales: +44 (0)1785 879 050  
Support: +44 (0)1785 879 050

Unit A5 Douglas Park  
Stone Business Park  
Stone  
ST15 0YJ  
United Kingdom

VAT Number: 120 9546 28  
Business Registration Number: 07699660