

# LPC-P170S-1X

17" P-cap Panel PC with 7th/6th Gen KabyLake-U/Skylake-U Core™ i7/i5/i3, IP65 / 66 Bezel-Free and Wide Range Power Input



## Features

- ▶ -20~60°C Operating Temp
- ▶ IP65 / 66 Front Panel
- ▶ Bezel-Free Design
- ▶ Fanless Design
- ▶ 3-Pin Power Input Terminal Block
- ▶ DC 12~24V Wide Range Power Input
- ▶ 1280\*1024 Resolution
- ▶ 350 nits LED Backlight
- ▶ Optional 1000 nits LED Backlight
- ▶ Lockable HDD Tray

### System

Processor	7th/6th Gen KabyLake-U/Skylake-U Core™ i7/i5/i3
System Memory	DDR4 SO-DIMM, up to 16 GB
External I/O Port	4 x USB 3.0 2 x GbE LAN (I210-AT & I219LM, AMT 11.x supported) 1 x Display Port 1 x HDMI 3 x RS-232 1 x RS-232/422/485 (COM1) 1 x Audio 1 x Power press button 1 x 3-Pin Power Input 1 x Lockable HDD Tray
Storage	2 x SATA3 (6.0Gb/s) 1 x mSATA (full size mini-PCIe)
Operating System	6th Gen CPU for Win 7 Pro/ WES7 / Win 8 / Win 10 7th Gen CPU for Win 10
Expansion	2 x MiniPCIe Slot (1 x Nano Sim Holder)

### LCD

Display Type	17" TFT LCD
Max. Resolution	1280*1024
Max. Color	16.2M
Luminance	350 nits
View Angle	85/85/80/80
Backlight Lifetime	30,000 hours

### Environment

Operating Temp	-20~60 °C · IEC-60068-2-1/2/14
Storage Temp	-30~70 °C
Humidity	10~90% @40 °C, non-condensing
EMC	FCC / CE Class A Certification CE Class B Compliant
Vibration	1.5 Grms @10~500Hz, IEC-60068-2-64

### Power Requirement

Power Input	3-Pin Power Input Terminal Block DC 12~24V Power Input Input on board fuse / Input reverse / Over current / Output short circuit protection
-------------	---

### Mechanical

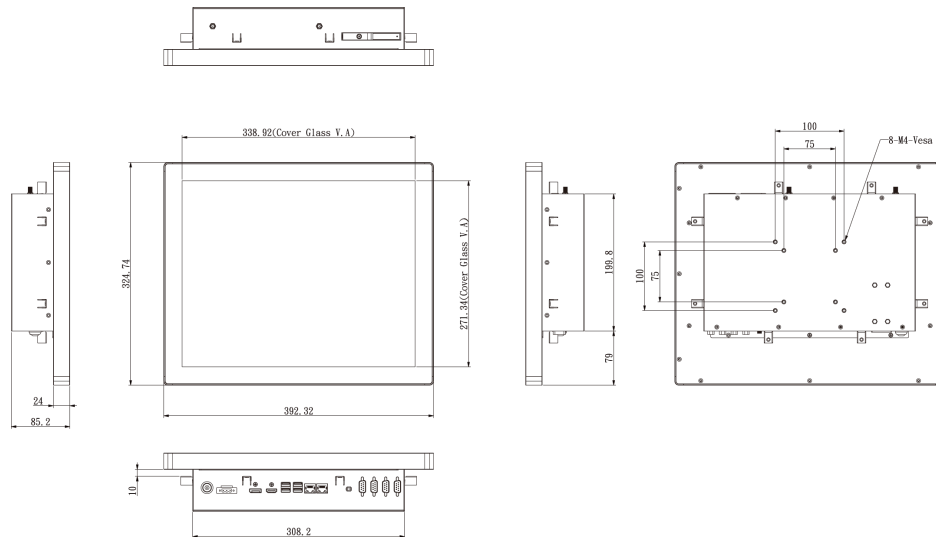
Construction	Aluminum Front Bezel and Metal Case
IP Rating	Front Panel IP65 / IP66 Compliant
Mounting	VESA / Panel Mount
Dimension	392 x 324 x 85

### Touch Screen

Type	17" P-cap USB
------	---------------

\* All specifications are subject to change without prior notice.

## Dimension & I/O Connector



### Ordering Information

LPC-P170S-15	17" P-cap Panel PC with i3-6100U, 1280 x 1024 Resolution, 420 nits, DC 12~24V Power Input with Fuse Protection, including a 3-Pin Power Adapter (12V/7.5A)
LPC-P170S-16	17" P-cap Panel PC with i5-6300U, 1280 x 1024 Resolution, 420 nits, DC 12~24V Power Input with Fuse Protection, including a 3-Pin Power Adapter (12V/7.5A)
LPC-P170S-1K3	17" P-cap Panel PC with KabyLake i3-7100U, 1280 x 1024 Resolution, 420 nits, DC 12~24V Power Input with Fuse Protection, including a 3-Pin Power Adapter (12V/7.5A)
LPC-P170S-1K5	17" P-cap Panel PC with KabyLake i5-7300U, 1280 x 1024 Resolution, 420 nits, DC 12~24V Power Input with Fuse Protection, including a 3-Pin Power Adapter (12V/7.5A) ( Only work with Win 10 )
WFK-024	WiFi kits w/ cable & Antenna (2.4GHz, 802.11 b/g/n, 1T1R)
WFK-524	WiFi kits w/ cable & Antenna (2.4 & 5GHz, 802.11 a/b/g/n/ac + BT, 2T2R)
04-US-26-00002	120 W / 24V power adapter with 3 pin terminal block (For High Brightness Model)

### Ordering Code

LPC-P170S-1X Series	-H / -OB / -B / -AG / -AR / -V
H	High Brightness 1000 nits LED backlight
OB	Optical Bonding
B	Glass Without Touch
AG	Anti-Glare
AR	Anti-Reflection
V	Vandal Proof Glass (By Project)

### Ordering Example

LPC-P170SH-16	17" P-cap Panel PC with i5-6300U, 1280 x 1024 Resolution, <b>1000 nits</b> , DC 12~24V Power Input, including a 3-Pin Power Adapter (12V/7.5A)
---------------	--

## Assured Systems

Assured Systems is a leading technology company with over 1,500 regular clients in 80 countries, deploying over 85,000 systems to a diverse customer base in 12 years of business. We offer high-quality and innovative rugged computing, display, networking and data collection solutions to the embedded, industrial, and digital-out-of-home market sectors.

### US

[sales@assured-systems.com](mailto:sales@assured-systems.com)

Sales: +1 347 719 4508  
Support: +1 347 719 4508

1309 Coffeen Ave  
Ste 1200  
Sheridan  
WY 82801  
USA

### EMEA

[sales@assured-systems.com](mailto:sales@assured-systems.com)

Sales: +44 (0)1785 879 050  
Support: +44 (0)1785 879 050

Unit A5 Douglas Park  
Stone Business Park  
Stone  
ST15 0YJ  
United Kingdom

VAT Number: 120 9546 28  
Business Registration Number: 07699660