



INDUSTRIAL DISPLAY SYSTEM

SIO-215-J1900

15" XGA Resistive / Capacitive Touch Stainless Steel Panel PC with Intel® Celeron® Processor J1900



FEATURES

- 15" TFT XGA 4:3 LCD with resistive 5-wire / projected capacitive touch
- Intel® Celeron® processor J1900, 2.0 GHz
- 1x 4GB DDR3L SODIMM, 1x 64GB mSATA
- 1x M12 for 2x USB 2.0, 1x M12 for LAN, 1x M12 for COM
- 1x Full-size Mini PCIe for expansion
- Support 110V to 240V AC power input by M12 Power Connector
- -20°C to 55°C operating temperature
- Full system IP66/IP69K with Stainless Steel SUS316 construction
- Touch Function ON/OFF Switch

SPECIFICATIONS

Display

| | |
|---------------------------------|---------------------------|
| LCD Size | 15" (4:3) |
| Max. Resolution | 1024 x 768 |
| Brightness (cd/m ²) | 300 / 1000 (Optional) |
| Contrast Ratio | 2,000:1 |
| LCD Color | 16.2M |
| Pixel Pitch (mm) | 0.297 (H) x 0.297 (V) |
| Viewing Angle (H-V) | 176 / 176 |
| Backlight MTBF | 70000 hrs (LED Backlight) |

Touch

| | |
|----------------------|--------------------|
| Resistive 5-wire | For SIO-215R-J1900 |
| Projected Capacitive | For SIO-215C-J1900 |

System

| | |
|----------------|--|
| Processor | Intel® Celeron® Processor J1900, Quad Core, 2MB Cache, 2.0 GHz |
| System Chipset | SoC integrated |
| LAN Chipset | GbE1: Intel® I210-IT (Support Wake-on-LAN and PXE) GbE2: Intel® I210-IT (Support Wake-on-LAN and PXE) |
| Audio Codec | Realtek ALC886 |
| System Memory | 4GB DDR3L SODIMM |
| BIOS | AMI uEFI 8Mbit SPI BIOS |
| Watchdog | Software Programmable Supports 1~255 sec. System Reset |

Storage

| | |
|------------|------------------------|
| mSATA | 64GB mSATA SSD |
| SIM Socket | 1x Internal SIM socket |

Expansion

| | |
|------------------|------------------------|
| Mini PCI Express | 1x Full-size Mini PCIe |
|------------------|------------------------|

I/O

| | |
|---------------------|---|
| COM | 1x RS-232/422/485 by M12 A-Code 8-pin |
| USB | 2x USB 2.0 by M12 A-Code 8-pin |
| LAN | 1x LAN by M12 X-Code 8-pin |
| Other I/O By Option | 1x Additional RS-232/422/485 by M12 A-Code 8-pin 2x Additional USB 2.0 by M12 A-Code 8-pin 1x Additional LAN by M12 X-Code 8-pin 2x WiFi Antenna |

Other Features

| | |
|-----|--|
| OSD | OSD: Power On/Off, Reset Touch: On/Off switch |
|-----|--|

Operating System

| | |
|---------|------------------|
| Windows | Windows 10 |
| Linux | Linux kernel 3.X |

Power

| | |
|----------------------|---|
| Power Mode | ATX |
| Power Supply Voltage | 110 ~ 240V AC Input Optional 12V DC Input |
| Power Connector | M12 A-code 4-pin |
| Power Adaptor | Optional AC/DC 12V/5A, 60W Optional Waterproof Power Input Cable |

Environment

| | |
|-------------------|--|
| Operating Temp. | -20°C to 55°C optional wide Temp. -20°C to 60°C |
| Storage Temp. | -20°C to 70°C |
| Relative Humidity | 10%-80% (non-condensing) |
| Vibration | With SSD: 2.4 Grms, 5 - 500 Hz, 0.5 hr/axis With HDD: 1 Grms, 5 - 500 Hz, 0.5 hr/axis |

| | |
|-------|--------------------------------|
| Shock | With SSD: 20G, half sine, 11ms |
|-------|--------------------------------|

| | |
|----------|------------------------|
| IP Level | Full System IP66/IP69K |
|----------|------------------------|

| | |
|---------------------------|-----------------|
| Standards / Certification | CE, FCC Class A |
|---------------------------|-----------------|

Physical

| | |
|--------------------------|------------------------|
| Front Panel Construction | Stainless Steel SUS316 |
|--------------------------|------------------------|

| | |
|-----------|---------------------------------|
| Dimension | 385 (W) x 310 (H) x 49.5 (D) mm |
|-----------|---------------------------------|

| | |
|--------|--------------------------------------|
| Weight | SIO-215R: 5.83Kg SIO-215C: 5.96Kg |
|--------|--------------------------------------|

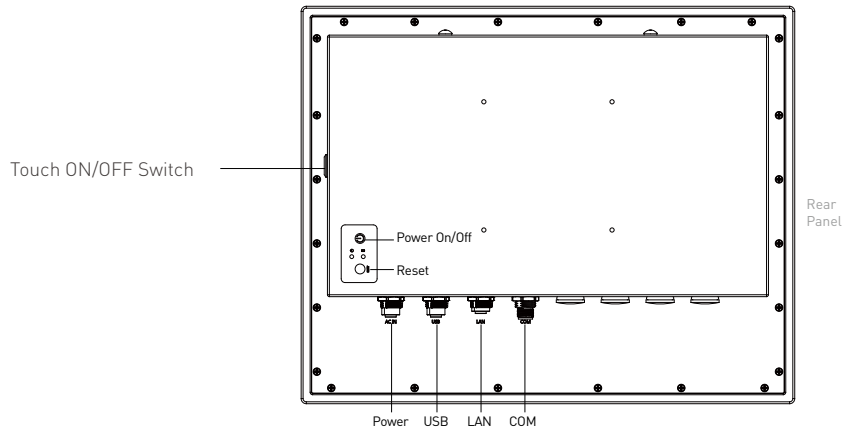
| | |
|----------|---|
| Mounting | VESA Mounting Holes 100 x 100mm Optional Yoke Mount, Panel Mount |
|----------|---|

* All specifications and photos are subject to change without notice.

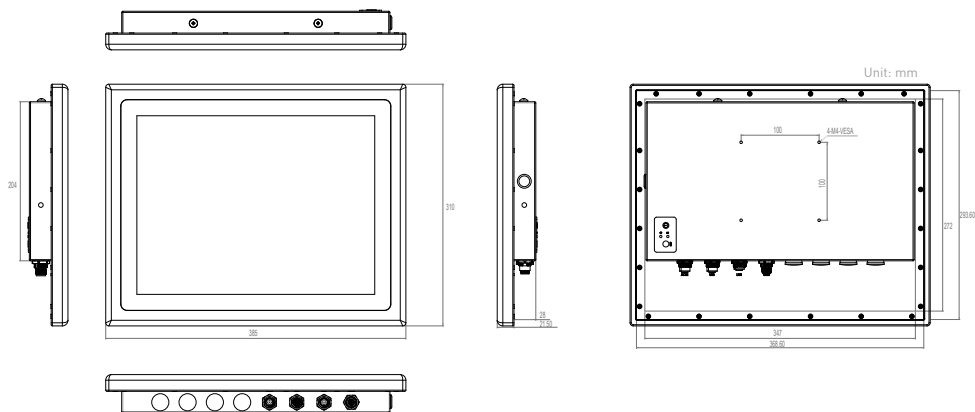


SIO-215-J1900

EXTERNAL I/O MECHANICAL LAYOUT



DIMENSION



ORDERING INFORMATION

| MODEL NO. | DESCRIPTION |
|-------------|--|
| 1-TPWR00027 | Waterproof AC Power Input M12 A-CODE 4P PWR Cable to Plug Type_US L=3M |
| 1-TPWR00028 | Waterproof AC Power Input M12 A-CODE 4P PWR Cable to Plug Type_EU L=3M |
| 1-TUSB00034 | Waterproof USB 2.0 Cable 3M |
| 1-TCOM00019 | Waterproof COM Cable 3M |
| 1-TLAN00015 | Waterproof LAN Cable 3M |

PACKING LIST

- 1x SIO-215-J1900 Series Stainless Steel Panel PC
- 1x Utility DVD Driver
- 1x Waterproof Connector Cover Set

AVAILABLE MODELS

| MODEL NO. | DESCRIPTION |
|-----------------|--|
| SIO-215R-J1900 | 15" XGA Resistive Touch Stainless Steel Panel PC with Intel® Celeron® Processor J1900 |
| SIO-215C-J1900 | 15" XGA Capacitive Touch Stainless Steel Panel PC with Intel® Celeron® Processor J1900 |
| SIO-215HR-J1900 | 15" XGA HB 1000nits Resistive Touch Stainless Steel Panel PC with Intel® Celeron® Processor J1900 |
| SIO-215HC-J1900 | 15" XGA HB 1000nits Capacitive Touch Stainless Steel Panel PC with Intel® Celeron® Processor J1900 |

Assured Systems

Assured Systems is a leading technology company with over 1,500 regular clients in 80 countries, deploying over 85,000 systems to a diverse customer base in 12 years of business. We offer high-quality and innovative rugged computing, display, networking and data collection solutions to the embedded, industrial, and digital-out-of-home market sectors.

US

sales@assured-systems.com

Sales: +1 347 719 4508
Support: +1 347 719 4508

1309 Coffeen Ave
Ste 1200
Sheridan
WY 82801
USA

EMEA

sales@assured-systems.com

Sales: +44 (0)1785 879 050
Support: +44 (0)1785 879 050

Unit A5 Douglas Park
Stone Business Park
Stone
ST15 0YJ
United Kingdom

VAT Number: 120 9546 28
Business Registration Number: 07699660