

SFP-10G-C

10/100/1000/10,000Base-T Copper Ethernet SFP+,
0°C~70°C



Features

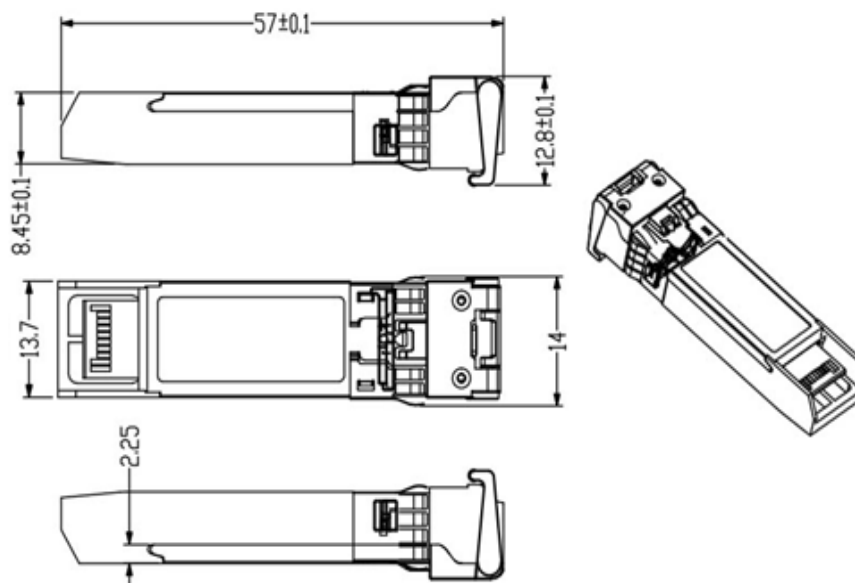
- ▶ Supports 10GBase-T using 30m Cat 6a/7 Cable
- ▶ Supports 5000Base-T using 70m Cat 5e Cable or Better
- ▶ Supports 2500Base-T using 100m Cat 5e Cable or Better
- ▶ Supports 10/100/1000Base-T using 100m Cat 5e Cable or Better
- ▶ Low Power Consumption (2.3W TYP @10Gbps 30m)
- ▶ Auto-negotiates with Other 10GBase-T PHY
- ▶ Auto-sense MDI/MDIX
- ▶ Compliant with IEEE 802.3az
- ▶ Compliant with SFF-8431 and SFF-8432 MSA
- ▶ Compliant with RoHS, CE, FCC Standards
- ▶ Operating Temperature Range: 0°C to 70°C

INTRODUCTION

Antaira Technologies' SFP-10G-C is a small hot-pluggable RJ45 electrical port module, compliant with 10 Gigabit Ethernet standards and SFP Multi-Source Agreement (MSA) standards. The module supports 10G transmission rate and transfer distances up to 30 meters using Cat 6a/7 network cables. It is also backward compatible with 10/100/1000/2.5G/5GBase-T applications. The device has low power consumption (2.3W TYP @ 10Gbps 30m), is compatible with various brands of hosts, and is widely used in data centers and enterprise networks. It complies with certification requirements such as RoHS, CE and FCC.

The product is based on a standard RJ45 interface, compatible with traditional networks. The Ethernet transfer rates can be increased without changing existing wiring. It is a low-cost alternative to Ethernet upgrades.

DIMENSIONS





SPECIFICATIONS

Interface

Connection Standard RJ45 Ethernet Connector

Recommended Operating Conditions

Operating Temperature 0°~70°C

Storage Temperature -40°~85°C

Transmission Distance Supports 10GBase-T using 30m Cat 6a/7 Cable

Regulatory Approvals

Green RoHS Compliant

Certifications FCC, CE

Warranty 5 Years

ORDERING INFO

SFP-10G-C 10/100/1000/10,000Base-T Cooper Ethernet SFP+, 0°C~70°C

Assured Systems

Assured Systems is a leading technology company with over 1,500 regular clients in 80 countries, deploying over 85,000 systems to a diverse customer base in 12 years of business. We offer high-quality and innovative rugged computing, display, networking and data collection solutions to the embedded, industrial, and digital-out-of-home market sectors.

US

sales@assured-systems.com

Sales: +1 347 719 4508
Support: +1 347 719 4508

1309 Coffeen Ave
Ste 1200
Sheridan
WY 82801
USA

EMEA

sales@assured-systems.com

Sales: +44 (0)1785 879 050
Support: +44 (0)1785 879 050

Unit A5 Douglas Park
Stone Business Park
Stone
ST15 0YJ
United Kingdom

VAT Number: 120 9546 28
Business Registration Number: 07699660