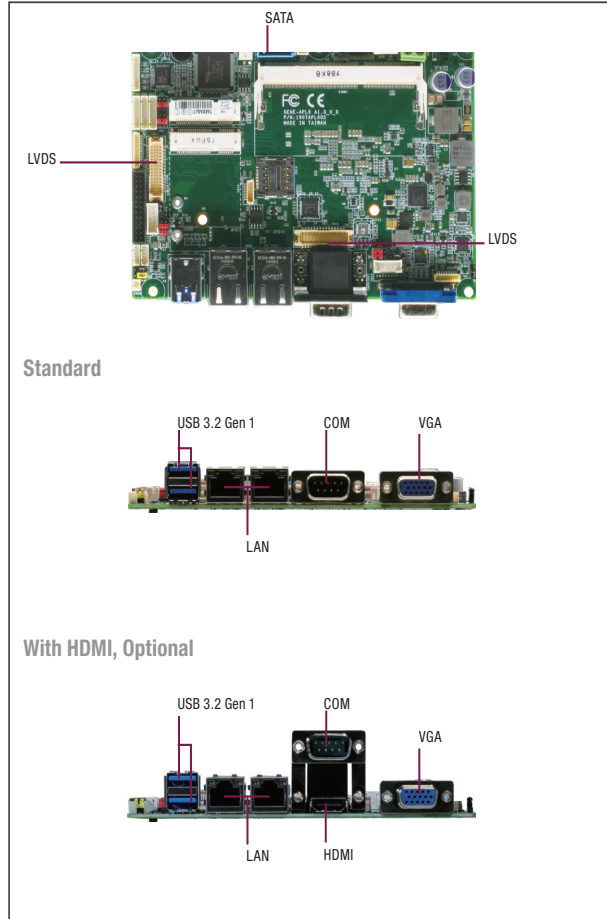


GENE-APL6

3.5" SubCompact Board with Intel® Pentium® N4200/ Celeron® N3350 Processor SoC

SubCompact Boards



Features

- DDR3L 1866, Single Channel SODIMM x 1, Non-ECC (Max.8GB, up to 1600MHz)
- VGA/LVDS/LVDS2 (HDMI Co-layout with LVDS2 Optional)
- 2 CH Audio, SATA 6.0 Gb/s x 1, eMMC up to 64G (Optional)
- Supports 8-bit Digital I/O, USB 2.0 x 2, USB 3.2 Gen 1 x 2, COM x 4
- Mini Card x 1 (Full-size), mSATA x 1 (Half-size)
- 9~36V wide DC input or +12V only (Optional), AT/ATX Mode
- Supports TPM (Optional)



MULTIPLE DISPLAY	Up to 3 Simultaneous Displays
AUDIO	
CODEC	Realtek ALC897/892
AUDIO INTERFACE	Line-in/Line-out/MIC
SPEAKER	—
EXTERNAL I/O	
ETHERNET	Intel® i210/i211, 10/100/1000Base, RJ-45 x 2
USB	USB3.2 Gen 1 x 2
SERIAL PORT	COM1 (RS232)
VIDEO	VGA x 1
INTERNAL I/O	
USB	USB 2.0 x 2
SERIAL PORT	COM2, COM3 (RS232/422/485, support 5V/12V/RI) COM4 (RS232)
VIDEO	LVDS1 x 1 LVDS2/HDMI x 1(Default: LVDS2)
SATA	SATA III x 1 +5V SATA Power Connector x 1
AUDIO	Audio Header x 1
DIO/GPIO	8-bit
SMBus/I2C	I2C/SMBus x 1 (Default: I2C)
TOUCH	4/5/8-wire Touch Controller x 1 (optional)
FAN	DC Fan x 1 (optional: Smart Fan)
SIM	Micro SIM x 1 (Optional)
FRONT PANEL	HDD LED, PWR LED, Power Button, Buzzer, Reset
OTHERS	eMMC 16G/32G/64G (optional) Parallel Port(SPP/EPP/ECP) x 1 (optional, select by BIOS)
EXPANSION	
Mini PCI-E/mSATA	Full-size mPCIe x 1 Half-size mSATA x 1
M.2	—
OTHERS	—
ENVIRONMENT & CERTIFICATION	
OPERATING TEMP.	32°F ~ 140°F (0°C ~ 60°C), WITAS2 -40°F ~ 185°F (-40°C ~ 85°C)
STORAGE TEMP.	-40°F ~ 185°F (-40°C ~ 85°C)
OPERATING HUMIDITY	0% ~ 90% relative humidity, non-condensing
MTBF (HOURS)	374,567
EMC	CE/FCC Class A

Specifications

SYSTEM	
FORM FACTOR	3.5" SubCompact Board
CPU	Intel® Atom®/Celeron®/Pentium® Processor: Pentium N4200 (4C/4T,1.10GHz, up to 2.50GHz, 6W) Celeron N3350 (2C/2T,1.10GHz, up to 2.40GHz, 6W) Atom E3950 (4C/4T,1.60GHz, up to 2.00GHz, 9.5W) Atom E3940 (4C/4T,1.60GHz, up to 1.80GHz, 9.5W) Atom E3930 (2C/2T,1.30GHz, up to 1.80GHz, 6.5W)
CHIPSET	Integrated with Intel® SoC
MEMORY TYPE	DDR3L 1866, Single Channel SODIMM x 1, Non-ECC (Max.8GB, up to 1600MHz)
BIOS	UEFI
WAKE ON LAN	Yes
WATCHDOG TIMER	255 Levels
SECURITY	TPM 2.0 (Optional)
RTC BATTERY	Lithium Battery 3V/240mAH
DIMENSION	5.75" x 4" (146mm x 101.7mm)
OS SUPPORT	Windows 10 (64bit) Linux Ubuntu 21.04.0/Kernel 5.10
POWER	
POWER REQUIREMENT	+9-36V (Optional: +12V)
POWER SUPPLY TYPE	AT/ATX
CONNECTOR	Phoenix 2-pin Connector
POWER CONSUMPTION	Intel® E3950, DDR3L 1866MHz 8G, 2.36A @+12V(TYPICAL) Intel® E3950, DDR3L 1866MHz 8G, 2.41A @+12V(MAX)
DISPLAY	
CONTROLLER	Intel® HD Graphics 500/505
LVDS/eDP	LVDS1 Dual Channel 18/24bit x 1, up to 1920 x 1080 LVDS2 Dual Channel 18/24bit x 1 (Optional: HDMI1.4b, up to 3840 x 2160)
DISPLAY INTERFACE	VGA x 1, up to 1920 x 1200

Optional Accessories

Part Number	Description	QTY per Board
1700050207	USB Cable, 20cm	2
1701090150	COM Cable, 15cm	3
1709100254	Audio Jack Cable, 25cm	1
1709070500	SATA Cable, 50cm	1
1702150155	SATA Power Cable, 15cm	1
170220020B	ATX Power Cable, 20cm	1
170204010R	Power Cable, 10cm	1
GENE-APL6-HSK01	HeatSink.146X80X14mm.GENE-APL6.(used with heat spreader)	1

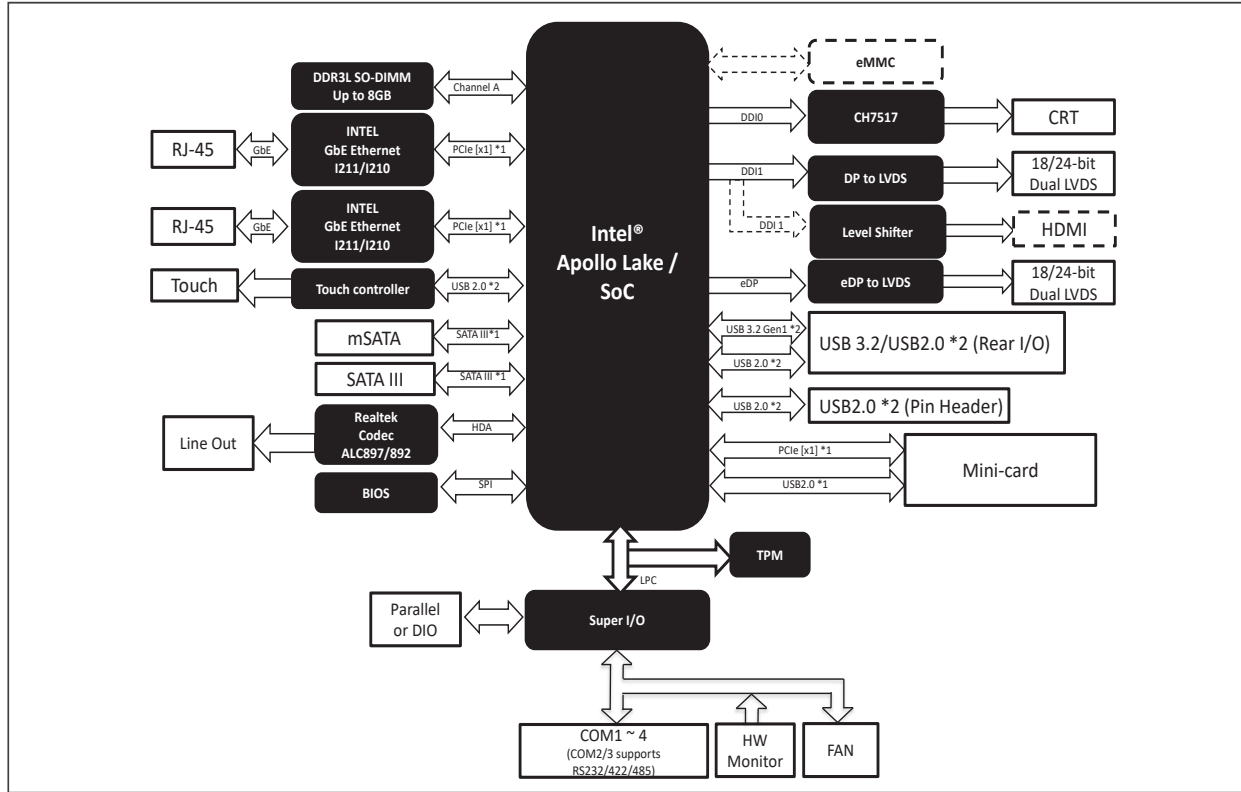
Note: All specifications are subject to change without notice.

GENE-APL6

06

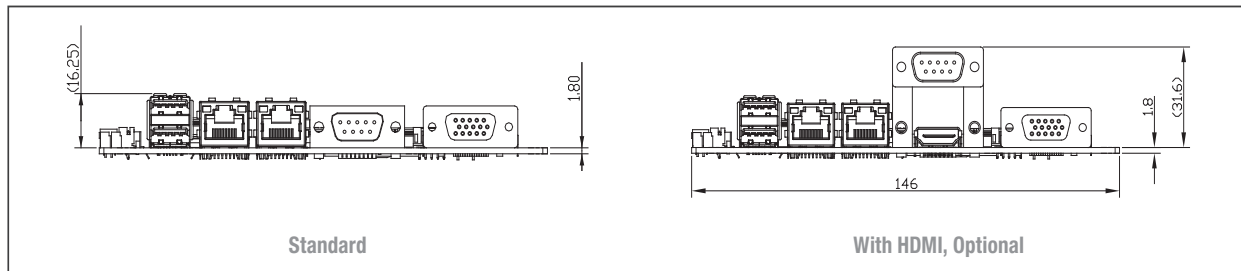
SubCompact Boards

Block Diagram



Dimension

Unit: mm



Packing List

Part Number	Description	QTY
GENE-APL6	GENE-APL6 MB	1
TH3APL6010	Heat spreader for CPU N Series	1
M16APL6001	Heat spreader for CPU E Series	1

Ordering Information

Part Number	CPU	Display	LAN	USB	RS-232	RS-232/422/485	Storage	Expansion Slot	TPM	Power	Operating Temp	Others
GENE-APL6-A11-F001	N3350	VGA, LVDS, LVDS2	GbE x 2	USB 3.2 Gen1 x 2 USB 2.0 x 2	2	2	SATA x 1 mSATA x 1	MiniCard x 1 (Full)	—	9~36V	0°C ~ 60°C	DIO x 8
GENE-APL6-A11-F002	N3350	VGA, LVDS, LVDS2	GbE x 2	USB 3.2 Gen1 x 2 USB 2.0 x 2	2	2	SATA x 1 32GB eMMC	MiniCard x 1 (Full)	2.0	9~36V	0°C ~ 60°C	Touch Controller, SIM, DIO x 8
GENE-APL6-A11-F003	N4200	VGA, LVDS, LVDS2	GbE x 2	USB 3.2 Gen1 x 2 USB 2.0 x 2	2	2	SATA x 1 mSATA x 1	MiniCard x 1 (Full)	—	9~36V	0°C ~ 60°C	DIO x 8
GENE-APL6-A11-F004	N4200	VGA, LVDS, LVDS2	GbE x 2	USB 3.2 Gen1 x 2 USB 2.0 x 2	2	2	SATA x 1 32GB eMMC	MiniCard x 1 (Full)	2.0	9~36V	0°C ~ 60°C	Touch Controller, SIM, DIO x 8
GENE-APL6W2-A11-F005	E3950	VGA, LVDS, HDMI	GbE x 2	USB 3.2 Gen1 x 2 USB 2.0 x 2	2	2	SATA x 1 mSATA x 1	MiniCard x 1 (Full)	2.0	12V	WITAS2 (-40~85°C)	SIM, DIO x 8

Assured Systems

Assured Systems is a leading technology company with over 1,500 regular clients in 80 countries, deploying over 85,000 systems to a diverse customer base in 12 years of business. We offer high-quality and innovative rugged computing, display, networking and data collection solutions to the embedded, industrial, and digital-out-of-home market sectors.

US

sales@assured-systems.com

Sales: +1 347 719 4508
Support: +1 347 719 4508

1309 Coffeen Ave
Ste 1200
Sheridan
WY 82801
USA

EMEA

sales@assured-systems.com

Sales: +44 (0)1785 879 050
Support: +44 (0)1785 879 050

Unit A5 Douglas Park
Stone Business Park
Stone
ST15 0YJ
United Kingdom

VAT Number: 120 9546 28
Business Registration Number: 07699660