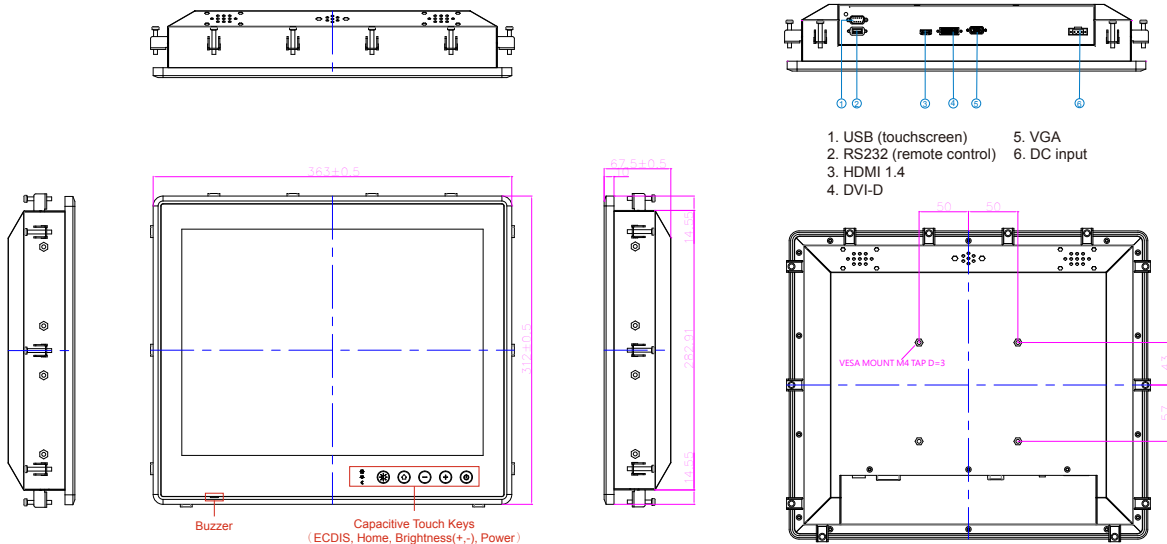


15" Flat P-CAP Marine Display

Model#: R15L600-MRA3FP

Features :

- 15" 1024 x 768 resolution with projective capacitive multi-touch screen
- Edge-to-edge narrow bezel design and fanless cooling system
- Color calibrated for ECDIS compliance (Optional)
- Capacitive touch keys for quick function access and display control (Support DAY, DUSK, and NIGHT mode switching)
- Meet the requirements of Industrial marine standards, including IEC60945 4th Edition, DNVGL-CG-0339, IACS E10



* Note: this is a simplified drawing and some components are not marked in detail. *Please contact our sales representative if you need further product information.

Display Specifications :

Resolution	: 1024 x 768
Pixel Pitch	: 0.2947 (H) x 0.2947 (V) mm
Contrast Ratio	: 2500:1 (typ.)
Panel Brightness	: 400 nit
Viewable Angle	: -88~88(H); -88~88(V)(Up/Down/Left/Right)
Active Display Area	: 306 (H) x 230 (V) mm
Max Colors	: 16.2 M colors, 8 bits/color
Touch Screen	: Projective Capacitive Multi-touch
Buzzer	: 75 dB~80 dB, 2300 Hz, 1m

Input / Output Connectors

DVI input	: DVI-D 24pin (female)
HDMI input	: 1 x HDMI 1.4 (Optional)
VGA input	: D-SUB 15pin (female)
Remote control via RS232	: D-SUB 9pin (female)
Touch	: USB type A (female)
DC input	: Terminal block 3pin (phoenix type)

Power Specifications :

Power Input	: *24V DC-in with Isolation (9~36V acceptable)
-------------	--

*Only 24V DC have approval by DNVGL certificate

User Controls :

OSD control via programmable capacitive touch keys (ECDIS, Home, Brightness(+,-), Power)
Remote control via RS232 serial interface

Mechanical

Mechanical Mounting	: Panel Mount, VESA Mount
Dimension	: 363mm x 312mm x 66.5mm
Panel Mount Cutout	: 338mm x 288mm
Housing	: Anodized Aluminum Bezel
IP Rating	: IP66 (Front Side)

Environmental

Operating Temperature	: -15 to 55 deg.C
Operating Humidity	: 5% to 95% (non condensing)
Anti-Vibration	: 0.7g@DNVGL CG-0339 (Class A)
Anti-Shock	: 15G, 11ms duration

Certification

DNVGL-CG-0339, IEC60945 4th, IACS E10, CE, FCC

Assured Systems

Assured Systems is a leading technology company with over 1,500 regular clients in 80 countries, deploying over 85,000 systems to a diverse customer base in 12 years of business. We offer high-quality and innovative rugged computing, display, networking and data collection solutions to the embedded, industrial, and digital-out-of-home market sectors.

US

sales@assured-systems.com

Sales: +1 347 719 4508
Support: +1 347 719 4508

1309 Coffeen Ave
Ste 1200
Sheridan
WY 82801
USA

EMEA

sales@assured-systems.com

Sales: +44 (0)1785 879 050
Support: +44 (0)1785 879 050

Unit A5 Douglas Park
Stone Business Park
Stone
ST15 0YJ
United Kingdom

VAT Number: 120 9546 28
Business Registration Number: 07699660