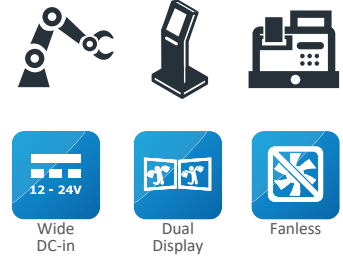


# IBOX-BYT1 B TYPE

Fanless Box system with Intel® Atom™/ Celeron® (BayTrail) Processor



## Key Features

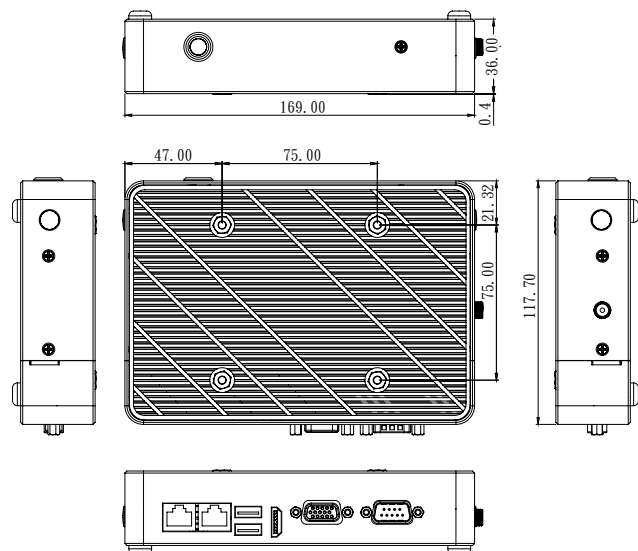
- Intel® Atom™/ Celeron® (Bay Trail SoC) onboard processor
- Dual display: VGA/HDMI
- 1 VGA, 1 HDMI, 2 USB, 1 COM, 2 LAN
- DC 12 ~ 24V input
- Wide temperature: 0°C ~ 60°C
- Watchdog timer

Entry Box PC

## Product Specification

System color	Silver
Mechanical	Aluminum extrusion and heavy-duty steel
CPU	Intel® Bay Trail SoC onboard; Intel® Celeron® J1900 2.0GHz quad core SoC(10W) Intel® Atom™ E3845 1.91GHz quad core SoC(10W) Intel® Atom™ E3825 1.33GHz dual core SoC (6W)
Chipset	Intel® Celeron® J1000/Atom™ E3000 series SoC
Graphic	Intel® HD Gen. 7 graphics
BIOS	AMI SPI Flash ROM
System memory	1 x 204-pin DDR3L 1067/1333MHz SDRAM; max. up to 8GB
System I/O	1 x VGA, 1 x HDMI, 1 x COM (RS232/422/485, RS485 with auto flow control), 1 x USB 3.0, 1 x USB 2.0, 2 x LAN
Ethernet	2 x Gigabit Ethernet (Intel® I210)
Storage support	1 x mSATA
Expansion slot	1 x Mini-PCIe (Half size) 1 x Mini-PCIe (Full size, share with mSATA)
System indicators	1 x Power LED
System controls	1 x Power on switch
Watchdog timer	Interval: Programmable 1 ~ 255 sec. Output: System reset
OS Support	Win7, Win8.1, Win10, Linux
Power supply	Wide range DC 12 ~ 24V input, with AC 60W adapter, DC 12V output, Screw type connector
Operating temperature	0°C ~ 60°C (Optional -20°C ~ -40°C)
Storage temperature	-20°C ~ 80°C
Relative humidity	0% ~ 90% (non-condensing)
Mounting	Wall mount/VESA75 mount/DIN mount (optional)
Dimensions	169 mm(W) x 117.7 mm(D) x 36mm(H)
Weight	0.8 kg

## Dimensions



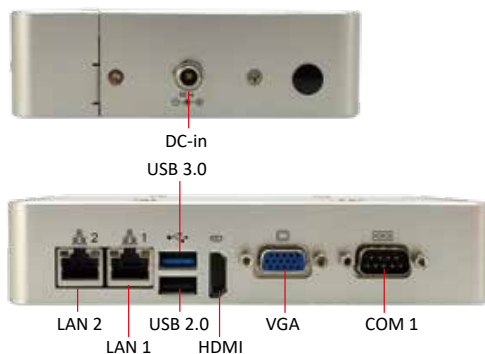
## Optional

Power cord	US (VN00000100CU) / EUR (VN00000200CU) / JP (VN00000300CU) / UK (VK00028600CU)
------------	---

## Ordering Information

Part Number	description
IBOX-BYT1-1900-BN00-0000	Standard Type B Fanless BOX PC, Intel Celeron J1900 10W, HDMI/VGA, 1COM/2USB/2LAN, BAREBONE, DC(12V~24V)/DC-Jack(Lock), with power adapter
IBOX-BYT1-3825-BN00-0000	Standard Type B Fanless BOX PC, Intel Atom E3825 6W, HDMI/VGA, 1COM/2USB/2LAN, BAREBONE, DC(12V~24V)/DC-Jack(Lock) with power adapter
IBOX-BYT1-3845-BN00-0000	Standard Type B Fanless BOX PC, Intel Atom E3845 10W, HDMI/VGA, 1COM/2USB/2LAN, BAREBONE, DC(12V~24V)/DC-Jack(Lock) with power adapter

## Rear I/O



\*All specifications and photos are subject to change without prior notice

## Assured Systems

Assured Systems is a leading technology company with over 1,500 regular clients in 80 countries, deploying over 85,000 systems to a diverse customer base in 12 years of business. We offer high-quality and innovative rugged computing, display, networking and data collection solutions to the embedded, industrial, and digital-out-of-home market sectors.

### US

[sales@assured-systems.com](mailto:sales@assured-systems.com)

Sales: +1 347 719 4508  
Support: +1 347 719 4508

1309 Coffeen Ave  
Ste 1200  
Sheridan  
WY 82801  
USA

### EMEA

[sales@assured-systems.com](mailto:sales@assured-systems.com)

Sales: +44 (0)1785 879 050  
Support: +44 (0)1785 879 050

Unit A5 Douglas Park  
Stone Business Park  
Stone  
ST15 0YJ  
United Kingdom

VAT Number: 120 9546 28  
Business Registration Number: 07699660