

INJ-0200G-60-24-T

Industrial IEEE 802.3bt Gigabit Type 3 4PPoE Injector,
EOT: -40° to 75°C



Features

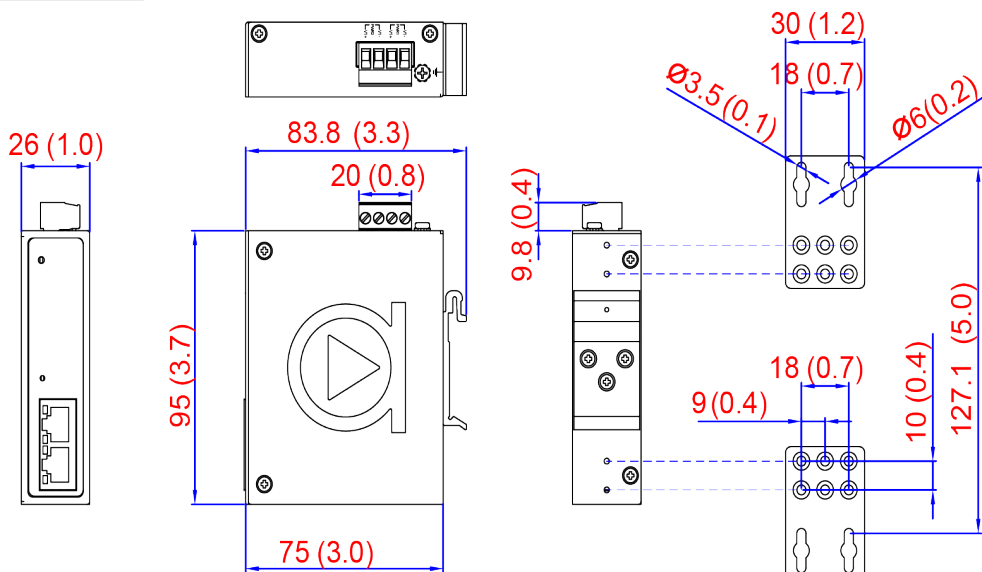
- ▶ Supports 10/100/1000Tx for PoE & Data Out
- ▶ IEEE 802.3bt Type 3 4PPoE Compliant
- ▶ Provide Data and Power over Ethernet to Power Device
- ▶ Provides up to 60 Watts on PoE Port
- ▶ Allows Power Input of 9~48VDC
- ▶ IP30 Protection
- ▶ Operating Temperature Range (– EOT): -40° to 75°C
- ▶ DIN-Rail or Wall Mountable
- ▶ 5-Year Warranty

INTRODUCTION

Antaira Technologies' INJ-0200G-60-24-T is an industrial high-power IEEE 802.3bt Type 3 Power over Ethernet (PoE) injector backwards compatible with previous IEEE 802.3af/at standards. By utilizing multiple pairs of pins on the RJ45 cable this industrial grade PoE injector is capable of providing up to 60 Watts of power to end devices. Each port supports 10/100/1000Tx for both power in and data out.

The INJ-0200G-60-24-T is IP30 rated, DIN-rail mountable, and supports an extended temperature of -40°C to 75°C, making it ideal for outdoor or harsh industrial applications.

DIMENSIONS



Unit: mm (inch)

Din-rail

Wall-mount

SPECIFICATIONS

Technology		Power Requirement	
Standards	IEEE 802.3 10BaseT Ethernet	Input Voltage	9~48VDC, Power Inputs
	IEEE 802.3u 100BaseTX Fast Ethernet	Power Connection	4-pin terminal block
	IEEE 802.3ab 1000BaseT(X)	Reverse Polarity Protection	Present
	IEEE 802.3af/at/bt Power over Ethernet	Overload Current Protection	Present
Switch Properties		Power Consumption	5Watts for system
Transfer Rate	14,880pps for Ethernet Port	PoE Power Output	60W max. per PoE port
	148,800pps for Fast Ethernet Port 1,488,000pps for Gigabit Ethernet Port	Max. PoE Power Budget	60Watts
Interface		Environmental Limits	
Ethernet Port	2*10/100/1000BaseT(X) (1*Data IN, 1*PoE OUT)	Operating Temperature	EOT: -40°C ~ 75°C
	PoE Port Pin Assignment	Storage Temperature	-40°C ~ 85°C
	V+ for pin 3, 4, 5, 6 V- for pin 1, 2, 7, 8	Ambient Relative Humidity	5% to 95%, (non-condensing)
LED Indicators	Power and PoE	Regulatory Approvals	
Mechanical Characteristics		EMI	CE, FCC Class A EN61000-6-4, EN61000-6-2, EN61000-4-2 (ESD), EN61000-4-3 (RS), EN61000-4-4 (EFT), EN61000-4-5 (Surge), EN61000-4-6 (CS), EN61000-4-8 (Magnetic Field)
Housing	Metal, IP30 protection	Free Fall	IEC60068-2-32
Dimensions	26 x 95 x 75 mm (W x H x D)	Shock	IEC60068-2-27
Weight	Unit: 0.60 lbs.	Vibration	IEC60068-2-6
	Shipping: 1.0 lbs.	Green	RoHS Compliant
Mounting	DIN-Rail Mounting, Wall Mounting	Certifications	FCC, CE, UL (Pending)
		Warranty	5 Years

ORDERING INFO

INJ-0200G-60-24-T Industrial IEEE 802.3bt Gigabit Type 3 4PPoE Injector; EOT: -40°~75°C

Assured Systems

Assured Systems is a leading technology company with over 1,500 regular clients in 80 countries, deploying over 85,000 systems to a diverse customer base in 12 years of business. We offer high-quality and innovative rugged computing, display, networking and data collection solutions to the embedded, industrial, and digital-out-of-home market sectors.

US

sales@assured-systems.com

Sales: +1 347 719 4508
Support: +1 347 719 4508

1309 Coffeen Ave
Ste 1200
Sheridan
WY 82801
USA

EMEA

sales@assured-systems.com

Sales: +44 (0)1785 879 050
Support: +44 (0)1785 879 050

Unit A5 Douglas Park
Stone Business Park
Stone
ST15 0YJ
United Kingdom

VAT Number: 120 9546 28
Business Registration Number: 07699660