

L-8015

6-ch Isolated RTD Input Module



Features

- ◆ Support PT100, PT1000, Balco 500, NI604, NI1000 RTD Types
- ◆ Protocol MODBUS RTU, ASCII Command
- ◆ Support Isolated Input Channels
- ◆ Fully Photo-Isolation 3750Vrms
- ◆ Wide Supply Voltages (10~30V)
- ◆ Built-in TVS/ESD Protection
- ◆ Burn-Out Auto Detection

Specifications

Interface:

Communication Protocol	RS485 MODBUS RTU and ASCII Command
Baute Rate (bps)	1200, 2400, 4800, 9600, 19.2K, 38.4K, 115.2K
LED Indication	LED for Power and link status
Isolation Voltage	3000VDC

Span Drift	±20uV/ °C
CMRR	50/60 Hz: 92 dB
Burn-Out	Wire burn-out auto detection
Over Voltage Protection	±60V

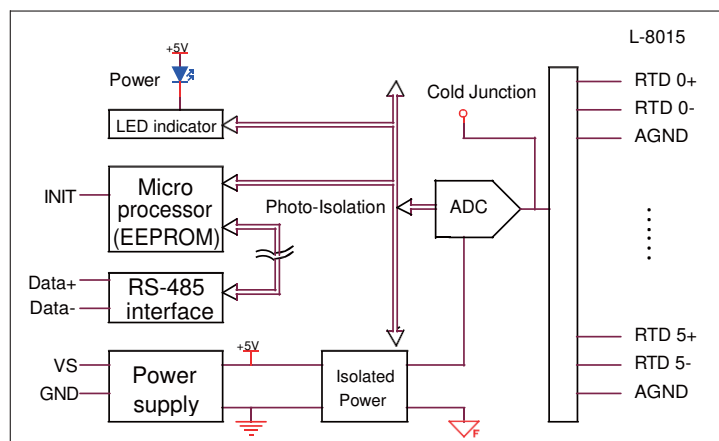
Analog Input:

Effective Resolution	16-bit
Input Channels	6 channel RTD input (2-wires,3-wires, 4-wires)
Input Type	PT100, PT10000, Balco 500, NI RTD
Input Range	PT100,PT1000, Balco 500, NI604, NI1000
Isolation Voltage	2000V
Sampling Rate	12 Samples / Second
Input Impedance	20M ohm
Accuracy	±0.05% or better
Zero Drift	±0.5uV/ °C

Power Requirement :

Consumption	0.8 W/Typical
Power Input	+10 ~ +30 VDC
Humidity	5 ~ 95% RH, non-condensing
Operating Temperature	-25°C ~ 75°C

Block Diagram



Assured Systems

Assured Systems is a leading technology company with over 1,500 regular clients in 80 countries, deploying over 85,000 systems to a diverse customer base in 12 years of business. We offer high-quality and innovative rugged computing, display, networking and data collection solutions to the embedded, industrial, and digital-out-of-home market sectors.

US

sales@assured-systems.com

Sales: +1 347 719 4508
Support: +1 347 719 4508

1309 Coffeen Ave
Ste 1200
Sheridan
WY 82801
USA

EMEA

sales@assured-systems.com

Sales: +44 (0)1785 879 050
Support: +44 (0)1785 879 050

Unit A5 Douglas Park
Stone Business Park
Stone
ST15 0YJ
United Kingdom

VAT Number: 120 9546 28
Business Registration Number: 07699660