

EMC-0201 Series

10/100TX to 100FX Enterprise Media Converter, Multi-Mode or Single-Mode, SC / ST Connector



FEATURES

- ▶ Complies with IEEE 802.3 100BaseT & IEEE 802.3u 100BaseTX/FX Standards
- ▶ Supports Store-and-Forward Switching Mechanism
- ▶ 10/100Mbps Auto Negotiation
- ▶ Supports 9K Bytes Jumbo Frame Size
- ▶ Supports Link Alarm and Rear Panel DIP Switch
- ▶ Supports 2K MAC Address
- ▶ Supports 128K Bytes Packet Buffer
- ▶ Configuration DIP Switch Supports Auto, Speed, Duplex, Auto MDI/MDI-X, and Link-Fault-Pass-Through
- ▶ Rackmount or Wall Mountable
- ▶ Operating Temperature Range: 0°C to 50°C
- ▶ 5-Year Warranty

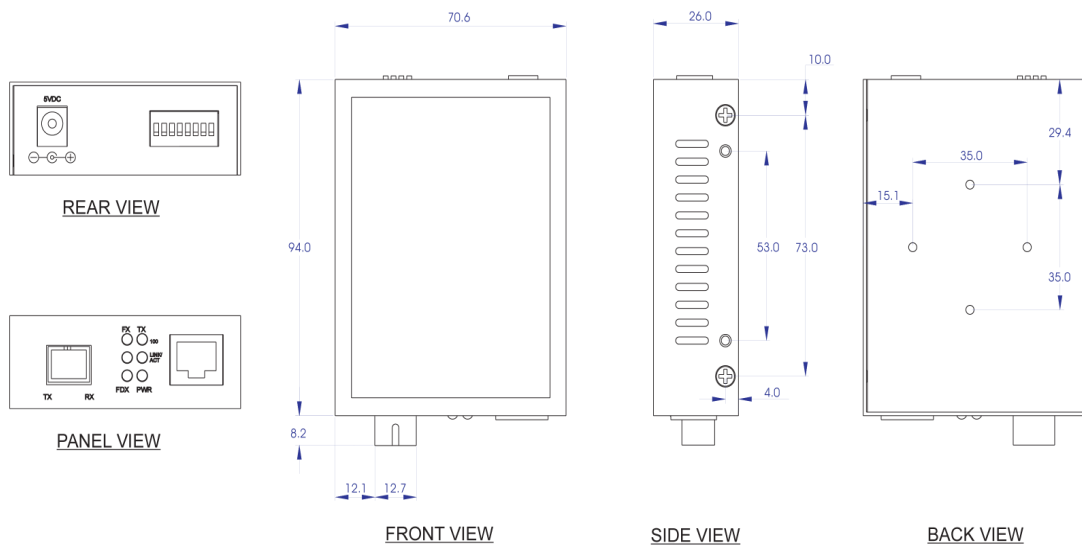


INTRODUCTION

Antaira Technologies' EMC-0201 series is a compact fiber to Ethernet media converter housed in a metal case and conforms to the FCC emissions standards. The EMC-0201 series features a standard SC or ST fiber connector as well as the RJ45 Ethernet connector. The copper media converter is fully compliant with IEEE 802.3 and 802.3u Fast Ethernet. The industrial media converter features LED diagnostics for power, activity, link and Full/Half Duplex operations. The EMC-0201 series is a 10/100 multi-mode or single-mode fiber media converter capable of communication up to 30KM depending on the model of the series.

DIMENSIONS

UNIT:MM



SPECIFICATIONS

TECHNOLOGY

Standards IEEE 802.3 10Base-T Ethernet
IEEE 802.3u 100Base-TX Fast Ethernet

SWITCH PROPERTIES

Processing Type Store and Forward

Transfer Rate 14,880pps for Ethernet Port
148,800pps for Fast Ethernet Port

MAC Table Size 2K

Jumbo Frame 9Kbytes

Memory Buffer 128Kbytes

PORT INTERFACE

Ethernet Port 1*10/100/1000Base-TX
Auto negotiation speed, Full/Half duplex mode, and auto MDI/MDI-X connection

Fiber Port 1*100Base-FX

LED Indicators Power, FDX, Status, F/O Link/Act, TX Link/Act

MECHANICAL CHARACTERISTICS

Housing Metal, IP30 protection

Dimension 71 x 26 x 94 mm (W x H x D)

Weight Unit: 0.45 lb
Shipping: 1.00 lb

Mounting Rackmount, Wall mounting

POWER REQUIREMENT

AC Input 100VAC~240VAC

DC Output 5V

System Power Consumption 2.2W

Frequency Range 50~60Hz

ENVIRONMENTAL LIMITS

Operating Temperature 0°C to 50°C

Storage Temperature -20°C ~ 60°C

Ambient Relative Humidity 5 to 90%, (non-condensing)

REGULATORY APPROVALS

Safety FCC Class A, CE

Warranty 5 Years

ORDERING INFORMATION

EMC-0201-SC-M	10/100TX to 100FX Enterprise Media Converter, Multi-Mode 2KM, SC Connector
EMC-0201-SC-S3	10/100TX to 100FX Enterprise Media Converter, Single-Mode 30KM, SC Connector
EMC-0201-ST-M	10/100TX to 100FX Enterprise Media Converter, Multi-Mode 2KM, ST Connector
EMC-0201-ST-S3	10/100TX to 100FX Enterprise Media Converter, Single-Mode 30KM, ST Connector
EMC-0201-WA-M	10/100TX to 100FX Single Fiber (WDM) Enterprise Media Converter, Multi-Mode 2KM, TX1310nm - RX1550nm
EMC-0201-WB-M	10/100TX to 100FX Single Fiber (WDM) Enterprise Media Converter, Multi-Mode 2KM, TX1550nm - RX1310nm
EMC-0201-WA-S2	10/100TX to 100FX Single Fiber (WDM) Enterprise Media Converter, Single-Mode 20KM, TX1310nm - RX1550nm
EMC-0201-WB-S2	10/100TX to 100FX Single Fiber (WDM) Enterprise Media Converter, Single-Mode 20KM, TX1550nm - RX1310nm

Assured Systems

Assured Systems is a leading technology company with over 1,500 regular clients in 80 countries, deploying over 85,000 systems to a diverse customer base in 12 years of business. We offer high-quality and innovative rugged computing, display, networking and data collection solutions to the embedded, industrial, and digital-out-of-home market sectors.

US

sales@assured-systems.com

Sales: +1 347 719 4508
Support: +1 347 719 4508

1309 Coffeen Ave
Ste 1200
Sheridan
WY 82801
USA

EMEA

sales@assured-systems.com

Sales: +44 (0)1785 879 050
Support: +44 (0)1785 879 050

Unit A5 Douglas Park
Stone Business Park
Stone
ST15 0YJ
United Kingdom

VAT Number: 120 9546 28
Business Registration Number: 07699660