

## LNX-C501G-SFP Series

5-Port Industrial Compact Gigabit Unmanaged Ethernet Switch, 4\*10/100/1000TX and 1\*100/1000 SFP Slot



### FEATURES

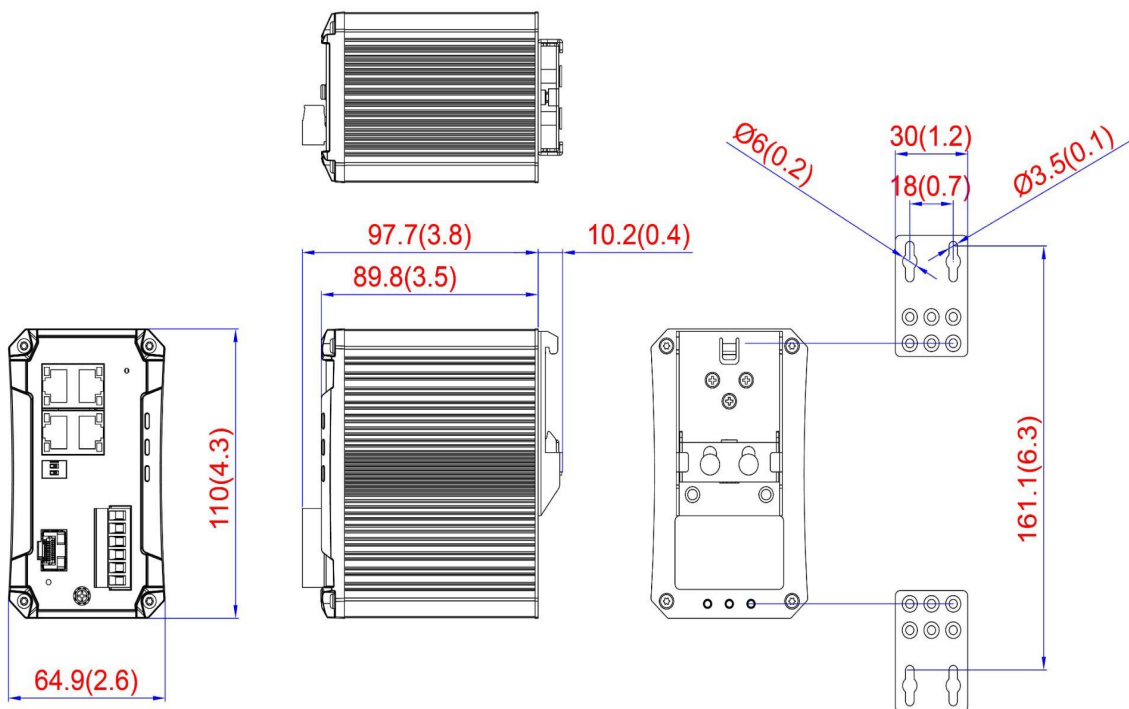
- ▶ Support 4\*10/100/1000Tx and 1\*100/1000 SFP Slot
- ▶ Adjustable SFP Speed with DIP-Switch Setting
- ▶ Store-and-Forward Switching Architecture
- ▶ Dual Power Input 12~48VDC in 6-Pin Terminal Block
- ▶ Support Power Inputs Reverse Polarity Protection
- ▶ IP40 Protection
- ▶ DIN-Rail or Wall Mountable
- ▶ Operating Temperature - STD: -10°C to 65°C, EOT: -40°C to 75°C
- ▶ 5-Year Warranty



### INTRODUCTION

Antaira Technologies' LNX-C501G-SFP Series is a 5-port industrial compact Gigabit unmanaged Ethernet switch embedded with 4\*10/100/1000Tx Ethernet ports and 1\*100/1000 dual rate SFP slot for fiber connection. The LNX-C501G-SFP series is IP40 rated and DIN-rail mountable. There are also two wide-operating temperature models for either a standard temperature range (STD: -10°C to 65°C) or an extended temperature range (EOT: -40°C to 75°C). It also provides high EFT and ESD protection for industrial networking applications, such as power/utility, water wastewater, oil/gas/mining, factory automation, security surveillance, ITS, and any other outdoor or harsh environment.

### DIMENSIONS



Unit: mm (inch)

Din-rail

Wall-mount

## SPECIFICATIONS

TECHNOLOGY		MECHANICAL CHARACTERISTICS	
<b>Standards</b>	IEEE 802.3 10Base-T Ethernet IEEE 802.3u 100Base-TX Fast Ethernet IEEE 802.3ab 1000Base-T Gigabit Ethernet IEEE 802.3z 1000Base-X Gigabit Fiber	<b>Housing</b>	Metal, IP40 protection
<b>SWITCH PROPERTIES</b>		<b>Dimension</b>	64.9 x 110 x 89.8 mm (W x H x D)
<b>Switch Architecture</b>	Switching Fabric (Back-Plane): 10Gbps	<b>Weight</b>	Unit: 1.83 lb Shipping: 2.37 lb
<b>Processing Type</b>	Store and Forward	<b>Mounting</b>	DIN-Rail mounting, Wall mounting
<b>Flow Control</b>	IEEE 802.3x flow control, back pressure flow control	<b>POWER REQUIREMENT</b>	
<b>Protocol</b>	CSMA/CD	<b>Input Voltage</b>	12~48VDC Redundant Input
<b>Transfer Rate</b>	14,880pps for Ethernet 148,800pps for Fast Ethernet 1,488,000pps for Gigabit Ethernet	<b>Power Connection</b>	1 removable 6-contact terminal block
<b>MAC Table Size</b>	8K	<b>Relay Contact</b>	24VDC, 1A resistive
<b>Jumbo Frame</b>	10Kbytes	<b>Overload Current Protection</b>	Present (Slow-Blown Fuse)
<b>Memory Buffer</b>	1Mbit	<b>Reverse Polarity Protection</b>	Present
<b>PORT INTERFACE</b>		<b>System Power Consumption</b>	4.6 Watts
<b>Ethernet Port</b>	4*10/100/1000Base-TX, auto negotiation speed, Full/Half duplex mode, and auto MDI/MDI-X connection	<b>ENVIRONMENTAL LIMITS</b>	
<b>SFP Port</b>	1*100/1000 SFP Slot	<b>Operating Temperature</b>	STD: -10°C to 65°C EOT: -40°C to 75°C
<b>LED Indicators</b>	System: Power 1, Power 2, Fault Ethernet ports: Speed/Link/Active SFP: Speed/Link/Active	<b>Storage Temperature</b>	-40°C ~ 85°C
<b>DIP Switch</b>	SFP Speed (1000Mbps/100Mbps)	<b>Ambient Relative Humidity</b>	5 to 95%, (non-condensing)
<b>Network Cable</b>	10BaseT: 2-pair UTP/STP Cat. 3, 4, 5 cable EIA/TIA-568 100-ohm (100m) 100BaseTX: 2-pair UTP/STP Cat. 5 cable EIA/TIA-568 100-ohm (100m) 1000BaseTX: UTP/STP Cat. 5/5E cable; EIA/TIA-568 100-ohm (100m)	<b>REGULATORY APPROVALS</b>	
		<b>EMI</b>	FCC Part 15 Subpart B Class A, CE EN55032/EN61000-6-4 Class A
		<b>EMS</b>	CE EN55035/EN61000-6-2, IEC61000-4-2,3,4,5,6,8
		<b>Certifications</b>	FCC, CE, UL61010-1, UL61010-2-201
		<b>Warranty</b>	5 Years

## ORDERING INFORMATION

<b>LNX-C501G-SFP</b>	5-Port Compact Industrial Gigabit Unmanaged Ethernet Switch, 4*10/100/1000TX and 1*100/1000 SFP Slot
<b>LNX-C501G-SFP-T</b>	5-Port Compact Industrial Gigabit Unmanaged Ethernet Switch, 4*10/100/1000TX and 1*100/1000 SFP Slot; EOT: -40°C to 75°C

## Assured Systems

Assured Systems is a leading technology company with over 1,500 regular clients in 80 countries, deploying over 85,000 systems to a diverse customer base in 12 years of business. We offer high-quality and innovative rugged computing, display, networking and data collection solutions to the embedded, industrial, and digital-out-of-home market sectors.

### US

[sales@assured-systems.com](mailto:sales@assured-systems.com)

Sales: +1 347 719 4508

Support: +1 347 719 4508

1309 Coffeen Ave  
Ste 1200  
Sheridan  
WY 82801  
USA

### EMEA

[sales@assured-systems.com](mailto:sales@assured-systems.com)

Sales: +44 (0)1785 879 050

Support: +44 (0)1785 879 050

Unit A5 Douglas Park  
Stone Business Park  
Stone  
ST15 0YJ  
United Kingdom

VAT Number: 120 9546 28

Business Registration Number: 07699660