



# L-9050(A)

12 digital input channels and 6 digital output channels module



## Features

- ◆ Support Modbus/TCP, TCP/IP, UDP, ICMP, ARP
- ◆ Ethernet 10/100 Based-T Communication
- ◆ Support 6 Isolated digital output channels (NPN).
- ◆ Provide Pulsed/delay Output Mode
- ◆ Support 12 Isolated digital Input Channels
- ◆ Provide Counter/ Frequency Inputs Mode
- ◆ Support **Dry Contact** Inputs
- ◆ Fully Photo-Isolation 3750Vrms
- ◆ Status LED indicator

## Specifications

- ◇ Interface: Ethernet 10/100 Based-T communication.
- ◇ COMM.: Support TCP/IP, UDP, ICMP, ARP
- ◇ Protocol: ASCII Format , Modbus/TCP
- ◇ Isolation Digital Input with **Dry Contact**.:
  - Channel: 12 channels (DI0~DI11)
  - Input Level: Logic level status can be inverted via ASCII/Modbus command.
  - Digital input: Isolated single ended with **common source**.
  - Dry Contact :
    - ✓ Logic level 1(active) : Close to GND
    - ✓ Logic level 0 (inactive): Open
  - Counter input: 500Hz counter input (32-bit + 1-bit overflow)
  - Optical Isolation Voltage: 3750Vrms
- ◇ Isolation Digital Output :
  - Digital Output: isolated Open collector (NPN) .
  - Channel: 6 channels (DO0~DO5)

- Output logical level: Logic level status can be inverted via ASCII/Modbus command.
- Open Collector to +5 ~ 30V / 500 mA max load.
- Optical Isolation Voltage: 3750Vrms
- Each channel supports 1KHz pulse output
- ◇ Display: Status LED indicator
- ◇ Power Requirement:
  - Power Consumption: 1.8 W (Typical)
  - Power Input: +10 ~ +30 VDC
  - Humidity : 5 ~ 95% RH, non-condensing

## Order information

### L-9050(A) :

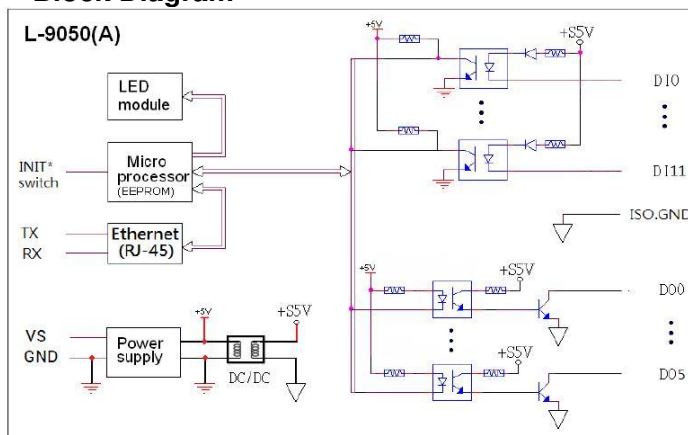
12 channels digital input(**Dry Contact**) and 6 channels output module.

### L-9050AB :

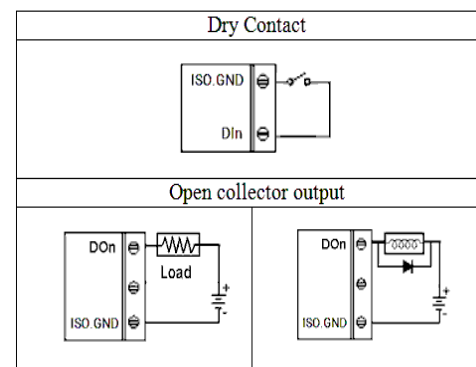
12 channels digital input(**Wet Contact**) and 6 channels output module.

## Flexible OEM/ODM design

## Block Diagram



## Wire Connection



## Assured Systems

Assured Systems is a leading technology company with over 1,500 regular clients in 80 countries, deploying over 85,000 systems to a diverse customer base in 12 years of business. We offer high-quality and innovative rugged computing, display, networking and data collection solutions to the embedded, industrial, and digital-out-of-home market sectors.

### US

[sales@assured-systems.com](mailto:sales@assured-systems.com)

Sales: +1 347 719 4508

Support: +1 347 719 4508

1309 Coffeen Ave  
Ste 1200  
Sheridan  
WY 82801  
USA

### EMEA

[sales@assured-systems.com](mailto:sales@assured-systems.com)

Sales: +44 (0)1785 879 050

Support: +44 (0)1785 879 050

Unit A5 Douglas Park  
Stone Business Park  
Stone  
ST15 0YJ  
United Kingdom

VAT Number: 120 9546 28

Business Registration Number: 07699660