



# L-9060A

5 digital input channels and 3 relay output channels module



## Features

- ◆ Support Modbus/TCP, TCP/IP, UDP, ICMP, ARP
- ◆ Ethernet 10/100 Based-T Communication
- ◆ Support 3 relay ch. (RL1/Form A, RL2/3 Form C)
- ◆ Provide Pulsed/delay Output Mode
- ◆ Support 5 Isolated digital Input Channels
- ◆ Provide Counter/ Frequency Inputs Mode
- ◆ Support Dry/ Wet Contact Inputs
- ◆ Fully Photo-Isolation 3750Vrms
- ◆ Status LED indicator

## Specifications

- ◇ Interface: Ethernet 10/100 Based-T communication.
- ◇ COMM.: Support TCP/IP, UDP, ICMP, ARP
- ◇ Protocol: ASCII Format , Modbus/TCP
- ◇ Isolation Digital Input:
  - Channel: 5 channels (DI0~DI4)
  - Input Level: Logic level status can be inverted via ASCII/Modbus command.
  - Digital input: Isolated single ended with common source.
  - Dry Contact :
    - ✓ Logic level 1 (active) : Close to GND
    - ✓ Logic level 0 (inactive): Open
  - Wet Contact :
    - ✓ Logic level 1 (active) : +4V to 30VDC max
    - ✓ Logic level 0 (inactive): +2VDC max
  - Input Impedance: 3K ohm (Wet Contact)
  - counter input: 500Hz counter input (32-bit + 1-bit overflow)
  - Optical Isolation Voltage: 3750Vrms

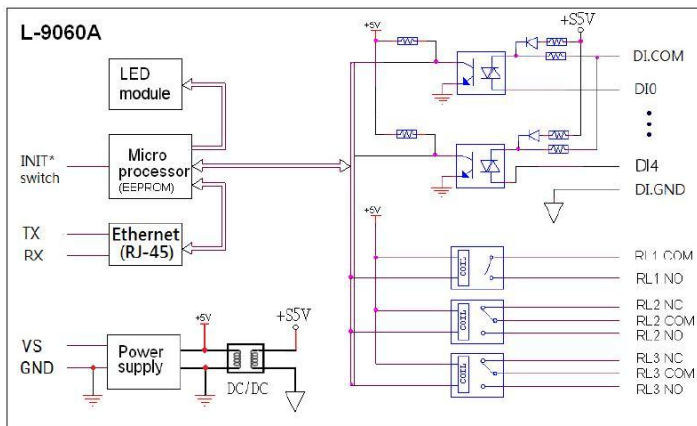
- ◇ Relay Output :
  - Relay Channels: 3 Relay output (RL1~RL3)
  - Relay Type: RL1/Form A, RL2/3 Form C
  - Relay contact rating : 0.6A/125Vac, 2A/30Vdc
  - Surge strength: 500V
  - Operate Time: 3mS max.
  - Release Time: 2mS max.
  - Min Life: 5\*10<sup>5</sup> ops.
  - Each channel supports 500Hz pulse output
- ◇ Display: Status LED indicator
- ◇ Power Requirement:
  - Power Consumption: 1.8 W (Typical)
  - Power Input: +10 ~ +30 VDC
  - Humidity : 5 ~ 95% RH, non-condensing

## Order information

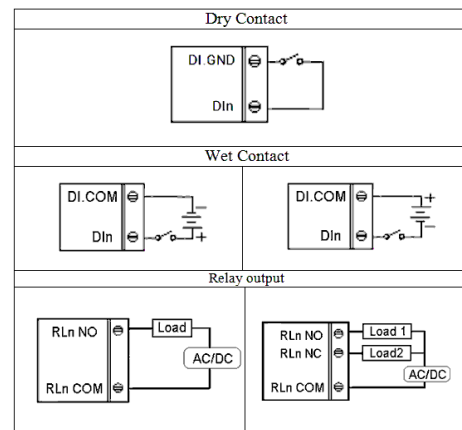
**L-9060A :**  
5 channels digital input and 3 relay module

## Flexible OEM/ODM design

### Block Diagram



### Wire Connection



## Assured Systems

Assured Systems is a leading technology company with over 1,500 regular clients in 80 countries, deploying over 85,000 systems to a diverse customer base in 12 years of business. We offer high-quality and innovative rugged computing, display, networking and data collection solutions to the embedded, industrial, and digital-out-of-home market sectors.

### US

[sales@assured-systems.com](mailto:sales@assured-systems.com)

Sales: +1 347 719 4508  
Support: +1 347 719 4508

1309 Coffeen Ave  
Ste 1200  
Sheridan  
WY 82801  
USA

### EMEA

[sales@assured-systems.com](mailto:sales@assured-systems.com)

Sales: +44 (0)1785 879 050  
Support: +44 (0)1785 879 050

Unit A5 Douglas Park  
Stone Business Park  
Stone  
ST15 0YJ  
United Kingdom

VAT Number: 120 9546 28  
Business Registration Number: 07699660