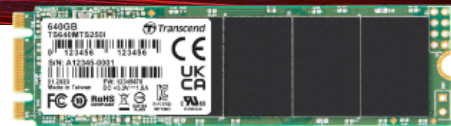




Embedded Solutions



SATA III M.2 SSDs

MTS250I

Transcend's MTS250I features a SATA III 6Gb/s interface and the 112-layer 3D NAND flash, delivering density breakthrough that greatly improves storage efficiency. The 30µ" gold finger PCB, Corner Bond technology, and anti-sulfur resistor guarantee its reliability in harsh conditions. Transcend also adopts the SLC Mode technology to enable the drive to reach competitive speeds and SLC-grade durability. Transcend's MTS250I is also 100% chamber tested in-house for wide operating temperatures of -40°C~85°C.

Hardware Features

- High-quality 3D NAND flash and SLC mode for exceptional endurance and reliability
- Anti-sulfur technology implemented to prevent sulfurization in the environment
- 30µ" PCB gold finger
- Key components fortified by default with Corner Bond technology
- Promised operational reliability in a wide temperature range (from -40°C to 85°C)

Ordering Information

| | |
|-------|---------------|
| 20GB | TS20GMTS250I |
| 40GB | TS40GMTS250I |
| 80GB | TS80GMTS250I |
| 160GB | TS160GMTS250I |
| 320GB | TS320GMTS250I |
| 640GB | TS640GMTS250I |

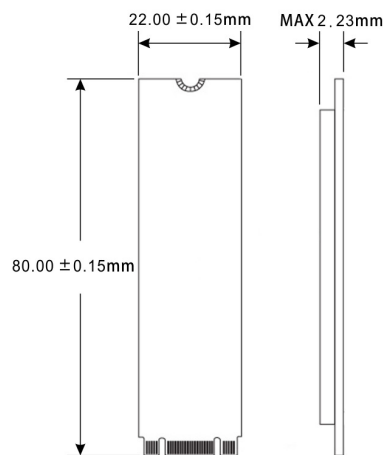
Firmware Features

- Supports S.M.A.R.T. function to conduct health monitoring, analysis, and reporting for storage devices
- Advanced Garbage Collection
- Advanced Global Wear-Leveling and Block management for reliability
- Built-in LDPC ECC (Error Correction Code) functionality
- Dynamic thermal throttling

Specifications

| | | |
|------------------------------|---|---|
| Appearance | Dimensions | 80 mm x 22 mm x 2.23 mm (3.15" x 0.87" x 0.09") |
| | Weight | 8 g (0.28 oz) |
| | M.2 Type | 2280-S2-B-M (Single-sided) |
| | Form Factor | M.2 2280 |
| Interface | Bus Interface | SATA III 6Gb/s |
| Storage | Capacity | 20 GB / 40 GB / 80 GB / 160 GB / 320 GB / 640 GB |
| | Flash Type | 112-layer 3D NAND flash (SLC mode) |
| Operating Environment | Operating Voltage | 3.3V±5% |
| | Operating Temperature | Wide Temp. -40°C (-40°F) ~ 85°C (185°F) |
| | Storage Temperature | -55°C (-67°F) ~ 85°C (185°F) |
| | Humidity | 5% ~ 95% |
| | Shock | 1500 G, 0.5 ms, 3 axis |
| Power | Vibration (Operating) | 20 G (peak-to-peak), 7 Hz ~ 2000 Hz (frequency) |
| | Power Consumption (Operation) | 1.0 watt(s) |
| Performance | Power Consumption (Sleep) | 0.2 watt(s) |
| | Sequential Read/Write (CrystalDiskMark) | Read: up to 560 MB/s Write: up to 500 MB/s |
| | 4K Random Read/Write (IOMeter) | Read: up to 43,000 IOPS Write: up to 83,000 IOPS |
| | Mean Time Between Failures (MTBF) | 3,000,000 hour(s) |
| | Terabytes Written (TBW) | up to 3905 TBW |
| Warranty | Drive Writes Per Day (DWPD) | 44.6 (3 yrs) |
| | Certificate | CE / FCC / BSMI / UKCA |
| | Warranty | Three-year Limited Warranty |

Mechanical Dimensions



Product specifications are subject to change without notice. Pictures shown may differ from actual products. Total accessible capacity varies depending on operating environment. Due to the complexity and variety of industrial applications, Transcend cannot guarantee 100% compatibility with all platforms and under all scenarios. For special applications and environments, it is strongly suggested that you contact Transcend beforehand for clarification.

Assured Systems

Assured Systems is a leading technology company with over 1,500 regular clients in 80 countries, deploying over 85,000 systems to a diverse customer base in 12 years of business. We offer high-quality and innovative rugged computing, display, networking and data collection solutions to the embedded, industrial, and digital-out-of-home market sectors.

US

sales@assured-systems.com

Sales: +1 347 719 4508
Support: +1 347 719 4508

1309 Coffeen Ave
Ste 1200
Sheridan
WY 82801
USA

EMEA

sales@assured-systems.com

Sales: +44 (0)1785 879 050
Support: +44 (0)1785 879 050

Unit A5 Douglas Park
Stone Business Park
Stone
ST15 0YJ
United Kingdom

VAT Number: 120 9546 28
Business Registration Number: 07699660