



Embedded Solutions



SD Cards SDHC/SDXC220

Transcend's SLC Mode technology is a cost-effective solution that offers performance close to that of SLC NAND flash. SLC Mode SDXC/SDHC220 UHS-I U1 Cards combine the advantages of high performance and exceptional endurance at an affordable price, making them ideal for demanding industrial applications such as POS terminals as well as portable devices equipped with an SD memory card slot.

Hardware Features

- Compliant with RoHS 2.0 standards
- Compliant with SD specification 3.01
- Compliant with UHS-I
- Electrostatic protection (ESD IEC 61000-4-2)
- Supports Transcend Scope Pro software

Ordering Information

16GB	TS16GSDC220
32GB	TS32GSDC220

Firmware Features

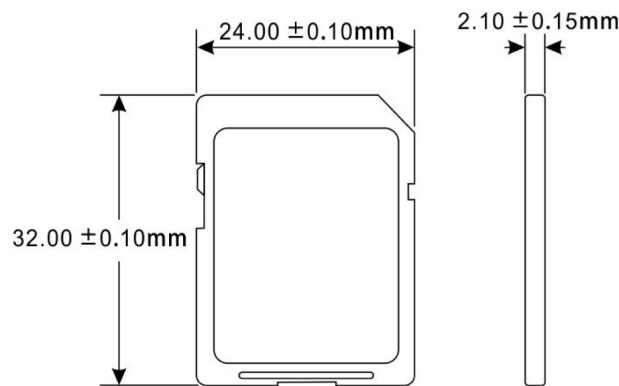
- Supports S.M.A.R.T. function to conduct health monitoring, analysis, and reporting for storage devices
- Early Move
- Built-in ECC (Error Correction Code) functionality
- Wear-Leveling

*Scope Pro is only available when used with the [RDF5](#) card reader.

Specifications

Appearance	Dimensions	24 mm x 32 mm x 2.1 mm (0.94" x 1.26" x 0.08")
	Form Factor	SD flash card
Storage	Flash Type	MLC NAND flash (SLC mode)
	Capacity	16 GB / 32 GB
Operating Environment	Operating Voltage	2.7V ~ 3.6V
	Drop Test	1.5m free fall
	Operating Temperature	Standard Temp. -25°C (-13°F) ~ 85°C (185°F)
	Storage Temperature	-40°C (-40°F) ~ 85°C (185°F)
	Humidity	0% ~ 95%
	Shock	Acceleration: 490 m/s ² (standard holding time: 11 ms, semi-sine wave, velocity change: 3.44 m/s)
	Vibration (Operating)	20 G (peak-to-peak), 20 Hz ~ 2,000 Hz (frequency)
Power	Power Consumption (Max.)	2.88 watt(s)
Performance	Read Speed (Max.)	up to 95 MB/s
	Write Speed (Max.)	up to 80 MB/s
	Terabytes Written (TBW)	up to 600 TBW
Warranty	Certificate	CE / FCC / UKCA
	Warranty	Three-year Limited Warranty

Mechanical Dimensions



Product specifications are subject to change without notice. Pictures shown may differ from actual products. Total accessible capacity varies depending on operating environment. Due to the complexity and variety of industrial applications, Transcend cannot guarantee 100% compatibility with all platforms and under all scenarios. For special applications and environments, it is strongly suggested that you contact Transcend beforehand for clarification.

Assured Systems

Assured Systems is a leading technology company with over 1,500 regular clients in 80 countries, deploying over 85,000 systems to a diverse customer base in 12 years of business. We offer high-quality and innovative rugged computing, display, networking and data collection solutions to the embedded, industrial, and digital-out-of-home market sectors.

US

sales@assured-systems.com

Sales: +1 347 719 4508
Support: +1 347 719 4508

1309 Coffeen Ave
Ste 1200
Sheridan
WY 82801
USA

EMEA

sales@assured-systems.com

Sales: +44 (0)1785 879 050
Support: +44 (0)1785 879 050

Unit A5 Douglas Park
Stone Business Park
Stone
ST15 0YJ
United Kingdom

VAT Number: 120 9546 28
Business Registration Number: 07699660