

Hisense

46L35B5U



46L35B5U

46" LCD VIDEO WALL

Create a powerful visual experience with pixel perfect clarity with our latest video wall solutions. With an extra narrow bezel, Hisense video walls seamlessly recreate your desired content across almost any configuration style.

Highlights



Ultra-narrow bezel

An ultra-narrow 3.5mm bezel-to-bezel width creates a seamless and more perfect picture.



Round-the-clock operation

The Hisense L35B5U series can be used as reliable display 24 hours a day, 7 days a week.



178° Wide viewing angle

The extra wide 178° viewing angle is a perfect fit for shoppers, employees or visitors that will view L35B5U displays from diverse angles while passing by.



500 nits

With 500 nits maximum brightness the display panels can deliver amazingly vivid imagery anywhere during daytime and nighttime conditions.



Anti-Glare

Optical technology diffuses mirror-like reflections and bright lights to help keep what's on your screen clear and visible.



1200:1 Ultra high contrast

1200:1 ultra high contrast display, providing eye-catching vivid visuals any time of the day or night, with outstanding colour performance.



Hisense

46L35B5U

Specifications

Display

Panel size	46"
Brightness	500nits
Resolution	1920 x 1080
Contrast Ratio	1200:1(typ.)
Back-Light	D-LED
Color	16.7M(8bit)
Viewing Angle	178°/178°
Refresh Ratio	8 ms
Surface Treatment	The surface of the LCD has an Anti-glare coating to minimize reflection and a coating to Reduce scratching, Haze 25%,3H,(Front Polarizer)
Usage time	24x7
MTBF	30000hours
Orientation	Landscape & Portrait

Physical

Splice Pitch	3.5mm
VESA	400x400mm, M6
Set Dimension	1021.98 x 576.57 x 95.5mm
Packed Dimension	1160 x 240 x 750mm
Net Weight	20.8
Packed Weight	28.5
20GP container capacity (pcs)	135
40GP container capacity (pcs)	273

Connectivity

Interface	x2 HDMI (in) x2 DP (in & out) x1 DVI (in) x1 VGA (in) x2 RS232 (in & out)
-----------	---

Speaker

Built-in Speaker	No
------------------	----

Power

Voltage	100-240V 50/60Hz
Power Consumption	150W

Software

OS	Yes
Language	Chinese/English

Environment

Operation Temperature	10-40°
Operation Humidity	10%-80%RH

Media Player compatibility

OPS Type Compatible	No
---------------------	----

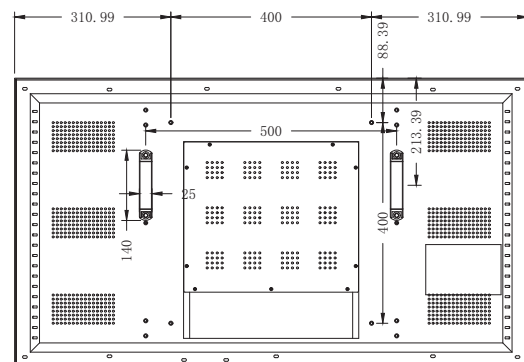
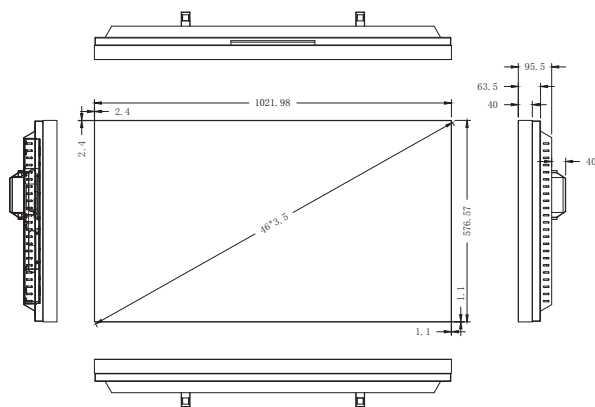
Accessories

Basic	Remote Controller, power cord, Ethernet cable, User Manual, RS232 connector,Infrared reception
Optional	Optional Wall Mount, Control Software, Process System

Certification

Standard Certification	CB, CE, ERP	CB	CE
------------------------	-------------	----	----

Display Dimensions



Assured Systems

Assured Systems is a leading technology company with over 1,500 regular clients in 80 countries, deploying over 85,000 systems to a diverse customer base in 12 years of business. We offer high-quality and innovative rugged computing, display, networking and data collection solutions to the embedded, industrial, and digital-out-of-home market sectors.

US

sales@assured-systems.com

Sales: +1 347 719 4508
Support: +1 347 719 4508

1309 Coffeen Ave
Ste 1200
Sheridan
WY 82801
USA

EMEA

sales@assured-systems.com

Sales: +44 (0)1785 879 050
Support: +44 (0)1785 879 050

Unit A5 Douglas Park
Stone Business Park
Stone
ST15 0YJ
United Kingdom

VAT Number: 120 9546 28
Business Registration Number: 07699660