

Giada R100

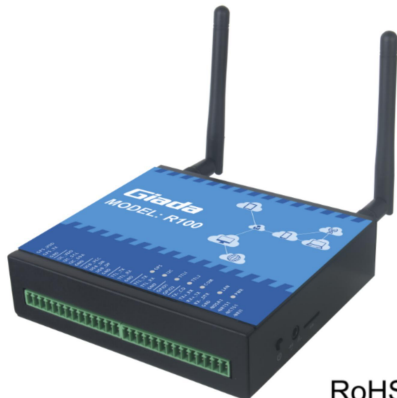
Intel® Bay Trail RTU Client

IoT

VGA

GateWay

Sensor



RoHS CE FCC CCC

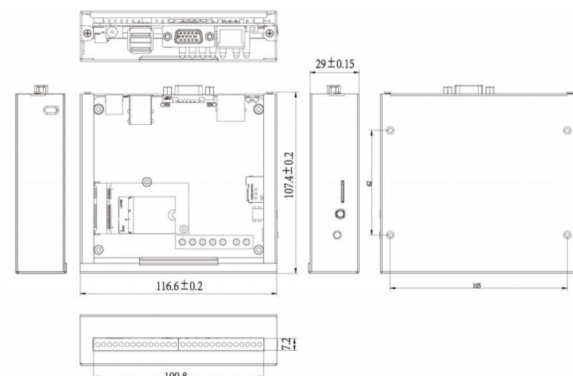
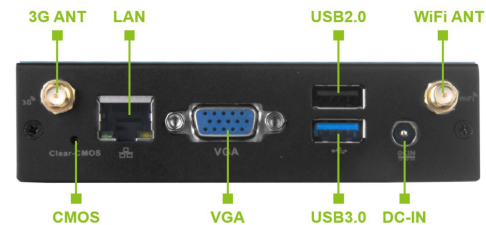
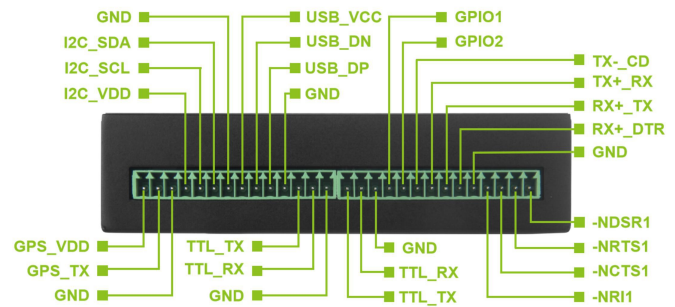
Specifications

Processor	CPU	Intel® Celeron J1800
	Frequency	2.41GHz
	BIOS	AMI Source Code
	Chipset	SOC
Memory	Type	DDR3L-1333MHz
	Socket	Onboard
	Size	2GB (up to 4GB)
Graphics	GPU	Intel® HD Graphics
	Graphic Engine	DirectX 11.1, OpenGL 3.0, OpenCL 1.1, OpenGL ES
	interface	1 x VGA (Max. 1920 x 1080@60Hz)
Network	Controller	Realtek RTL8111H
	Ethernet	1 x RJ45
I/O	USB	1 x USB 2.0, 1 x USB 3.0
	Audio	1 x 2-in-1 Headset (MIC-IN & AUDIO-OUT)
	Mini-PCIe	1 x Mini-PCIe for 3G/4G
	M.2	1 x M.2 for WIFI/BT (2230)
	SIM	1 x SIM Slot
	Phoenix Interface	TTL (3PIN), I2C (4PIN), USB (4PIN), TTL (3PIN)*2, GPIO (1PIN)*2, RS485/422/232 (9PIN) (All: 28PIN, from left to right)
	Storage	eMMC
JAHC	TF Card	1 x TF Card Reader
	WatchDog Timer	0-255 Second Time Out Support
	Auto Power On	Power Activated Automatically Start
	RTC	Set Up Independently Every day, A Week as a Cycle
Operation System	Wake on LAN	Remote wake up in the same LAN
	Windows	Windows 10
Power	Linux	Supported
	Power Type	DC-IN
Mechanical	Power Adapter	12V
	Dimensions (W × D × H)	116mm x 107.4mm x 30mm
Environment	Construction	Metal
	Operating Temperature	0°C~ 40°C (32°F ~ 104°F) at 0.7m/s Air Flow
Certification	Relative Humidity	90%@ 40°C (non-condensing)
	Certification	CE, FCC

Features

- Intel® Celeron J1800 CPU
- Onboard DDR3L-1333MHz 2GB, up to 4GB
- Onboard eMMC 32GB, up to 128GB
- 1 x MiniPCIe for 3G/4G, 1 x M.2 for WIFI/BT(2230)
- 1 x VGA, 1 x USB3.0, 1 x USB2.0, 1 x RJ45, 1 x RS232/422/485
- Phoenix Interface on Bottom, Compatible sensor protocol

Dimensions and Drawing



Ordering Information

R100	CPU: Celeron J1800, RAM: Onboard, DDR3L-1333MHz, 2GB Storage: Onboard, eMMC, 32GB
-------------	---

Assured Systems

Assured Systems is a leading technology company with over 1,500 regular clients in 80 countries, deploying over 85,000 systems to a diverse customer base in 12 years of business. We offer high-quality and innovative rugged computing, display, networking and data collection solutions to the embedded, industrial, and digital-out-of-home market sectors.

US

sales@assured-systems.com

Sales: +1 347 719 4508
Support: +1 347 719 4508

1309 Coffeen Ave
Ste 1200
Sheridan
WY 82801
USA

EMEA

sales@assured-systems.com

Sales: +44 (0)1785 879 050
Support: +44 (0)1785 879 050

Unit A5 Douglas Park
Stone Business Park
Stone
ST15 0YJ
United Kingdom

VAT Number: 120 9546 28
Business Registration Number: 07699660