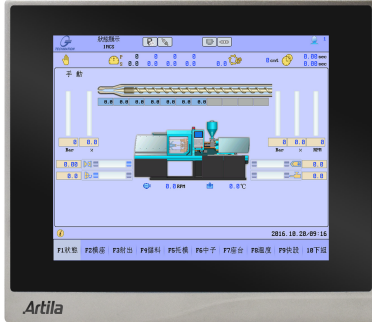


HC-3120

ARM-based Linux-ready 12" HMI Computing



H/W Specifications

CPU / Memory

- CPU: TI AM3354 Sitara ARM Cortex-A8 32-Bit RISC Processor
- Frequency: 800MHz, up to 1GHz
- SDRAM: 256MB DDR3, up to 512MB
- Onboard eMMC 512MB NAND Flash

Graphic

- SGX530 3D Graphics Engine
- Industry Standard API Support of Direct3D Mobile, OGL-ES 1.1 / 2.0, OpenVG 1.0, and OpenMax

LCD Display

- Display Size: 12" TFT LCD, 16.2M colors
- Resolution: 800 x 600
- Viewing Angle (H/V°): 89°/89°
- Luminance (cd/m²): 600
- Contrast Ratio: 1500:1
- Backlight: LED
- Life: 50000hrs

Touchscreen

- Touch Type: Projective Capacity Touch
- Light Transparency: >85% at 550nm wavelength
- Controller: USB
- Explosion-proof

CAN Bus Ports

- Type: 1 x CAN bus 2.0 A/B compliant ports (second is option)
- Speed: Up to 1Mbps

Features

- Fanless / Rugged Design HMI Computing
- 12" TFT LED backlight LCD display with Projective Capacity Touch
- TI AM3354 Sitara ARM Cortex-A8 32-Bit RISC Processor
- Onboard 256MB DDR3 SDRAM
- Onboard storage eMMC 512MB NAND Flash
- IP65 compliant front panel, resistant to water and dust
- Rich I/O with RS-232, USB, CAN bus and Gigabit LAN
- Easily Panel-mounting, no screw hole needed
- Low power consumption, +18~+30Vdc wide range input

USB 2.0 Host Interface

- Host Ports: 2
- Supports 480Mbps hi-speed mode
- Type A USB connector

SD Slot

- SD 2.0 compliant, supports SDHC
- 1 x microSD socket
- Storage capacity : Support Up to 64G

Network

- 2 x Gigabit Ethernet (10/100/1000Mbps)
- Connector : RJ45

Power Requirement

- 1 x phoenix male 2-pin terminal block
- Input Voltage: +24VDC typical (+18Vdc~+30Vdc)
- Cable Length Suggestion: 3m (Typical), 12m (Max.)
- Power Consumption: 14.4W (+24V/0.6A)

General

- Material: Die-casting aluminum (Front bezel), Metal (Case)
- Dimensions (W x H x D): 339 x 270 x 53mm (13.35" x 10.63" x 2.09")
- Net Weight: 2.92kg (6.4lb)
- Installation: Panel mount, VESA mount
- Operating Temperature: 0~50°C (32~122°F)
- Operating Humidity: 25~85% @ 40°C, non-condensing

HC-3120

ARM-based Linux-ready 12" HMI Computing

S/W Specifications

Operation System Support

- Linux kernel 4.9.x
- Supports bootup from eMMC or SD card
- Boot Loader : Barebox
- File System : EXT4
- QT5 library, support 2D / 3D graphics accelerator

Desktop Environment

- LXDE (abbreviation for Lightweight X11 Desktop Environment)
- Support for Firefox / Chromium browser + virtual keyboard

Software Development

- Toolchain: gcc 6.2.0 + glibc 2.24
- Supports in-place C/C++ code compilation

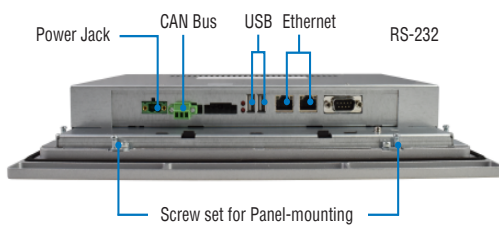
Package Management

- Support Debian packages (deb format)
- Support standard apt-get command

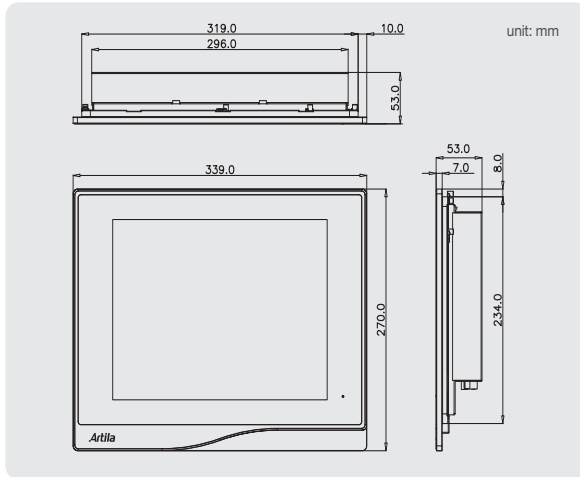
Pre-installed Packages

- SSH terminal server, iptables
- Web server (Nginx)
- PHP / Perl / Python / NodeJS
- FSQlite3
- Busybox / vim / nano / sed
- Webmin
- udev

Rear View



Dimension Drawing



Ordering Information

- **HC-3120**
ARM-based Linux-ready 12" HMI Computing

Assured Systems

Assured Systems is a leading technology company with over 1,500 regular clients in 80 countries, deploying over 85,000 systems to a diverse customer base in 12 years of business. We offer high-quality and innovative rugged computing, display, networking and data collection solutions to the embedded, industrial, and digital-out-of-home market sectors.

US

sales@assured-systems.com

Sales: +1 347 719 4508
Support: +1 347 719 4508

1309 Coffeen Ave
Ste 1200
Sheridan
WY 82801
USA

EMEA

sales@assured-systems.com

Sales: +44 (0)1785 879 050
Support: +44 (0)1785 879 050

Unit A5 Douglas Park
Stone Business Park
Stone
ST15 0YJ
United Kingdom

VAT Number: 120 9546 28
Business Registration Number: 07699660