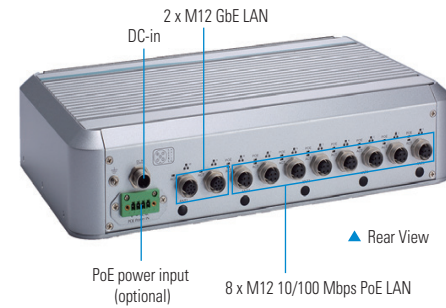
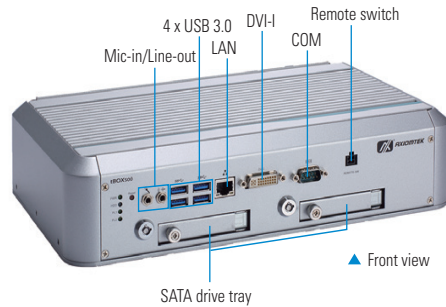


tBOX400-510-FL NEW

Fanless Embedded System with 7th Gen Intel® Core™ i7/i5/i3 & Celeron® Processors, Built-in Managed Layer 2 PoE Switch for Railway PC

Features

- CE, LVD and FCC certified; EN 50155 and EN 45545-2 compliant
- 7th gen Intel® Core™ i7/i5/i3 & Celeron® processors (Kaby Lake)
- Power supply: 24 to 110 VDC for Railway version
- Built-in managed layer 2 PoE switch
- PoE power budget up to 120W by 8 ports
- Optimized network performance with QoS, VLAN and PoE scheduling, etc.
- Fanless and wide operating temperature from -40°C to 70°C



Specifications

Standard Color	Silver
Construction	Aluminum extrusion and heavy-duty steel, IP30
CPU	Intel® Core™ i7-7600U 2C @2.8 GHz TDP: 15W Intel® Core™ i5-7300U 2C @2.6 GHz TDP: 15W Intel® Core™ i3-7100U 2C @2.4 GHz TDP: 15W Intel® Celeron® 3965U 2C @2.2 GHz TDP: 15W
Chipset	SoC integrated
System Memory	2 x DDR4-1866/2133 SO-DIMM slot, up to 32G
BIOS	AMI
TPM	TPM 2.0 (optional)
System I/O Outlet	Serial 1 x DB9 serial console or RS-232/422/485 Display 1 x DVI-I (up to 1920 x1200 @60Hz, 1 x VGA and 1 x DVI included) Audio 1 x Mic-in, 1 x Line-out Ethernet 8 x M12 D-coded 10/100 Mbps Ethernet 2 x M12 A-coded 10/100/1000 Mbps Ethernet 1 x RJ-45 10/100/1000 Mbps Ethernet (Intel® i210-IT) USB 4 x USB 3.0 Others 1 x Reset button 1 x Remote switch 5 x Antenna opening
Expansion Interface	3 x Full-size Rev.1.2 PCI Express Mini Card slot: • 1 x mSATA/PCIe • 2 x USB/PCIe with SIM socket
Storage	SATA Drive 2 x Swappable 2.5" SATA drive (9.5 mm height), Intel® RAID 0/1 supported mSATA 1 x mSATA (occupied 1 x PCI Express Mini Card slot)
Watchdog Timer	255 levels, 1 to 255 sec.
Power	Power Supply Railway: 1 x M12, 24 to 110 VDC Power 24V - 110V, 3.5A - 0.7A Consumption


PoE (PSE, Power Sourcing Equipment)	PoE Power Source 1 x M12 PoE power-in with PSU120-259 (optional, see ordering info) PoE Performance (Managed Layer 2 PoE Switch) Broadcom processor onboard 8 x configurable M12 D-coded PoE output max. 120W supports PoE & PoE+ • PoE (802.3af 15.4W/port) • PoE+ (802.3at 30W/port) To be used with PSU120-259 series (optional, see ordering info)
System Indicator	1 x LED indicator for SATA drive activity 1 x LED indicator for power 2 x Programmable
Operating Temperature	-40°C to +70°C (-40°F to +158°F) with W.T. peripheral* -40°C to +60°C (-40°F to +140°F) with external PoE PSU & W.T. peripheral*
Humidity	0% to 95%, non-condensing
Dimensions	321 mm (12.64") (W) x 210.2 mm (8.28") (D) x 73.3 mm (2.89") (H) (without wall mount)
Mounting	Wall mount
Weight (net/gross)	3.5 kg (7.72 lb)/5.17 kg (11.40 lb)
Certifications	CE (Class A), LVD and FCC (Class A) certified; EN 50155 and EN 45545-2 compliant
EMC	CE/FCC EN 61000-6-4 (Class A), EN 61000-6-2, FCC part 15 B (Class A) EN 50155 EN 50121-3-2, IEC 62236-3-2 compliant
LVD	EN 62368-1
Vibration Endurance	3 Gms w/ SSD (5 to 500Hz, X/Y/Z direction; random, operating) MIL-STD-810G, Method 514.6C-VL Category 4 compliant EN 50155 EN (IEC) 61373 category 1 class B compliant
Shock	EN 50155 EN (IEC) 61373 category 1 class B, half-sine pulse, 5g, 30ms (longitudinal direction), 3g, 30ms (vertical/transverse direction) compliant
EOS support	Windows® 10 64-bit, Linux
Software Support	AMS.AXView2.0

*Wide operating temperature peripheral


Ethernet Software Features

Management	Interface: CLI, Telnet and Web Browser, SNMP v1/v2c/v3 Firmware and configuration upgrade and backup via TFTP Supports DHCP Server/Client RMON (Remote monitoring): group 1, 2, 3, 9 Port mirroring: TX/RX and both NTP (Network Time Protocol) time synchronization IEEE 802.1ab LLDP (Link Layer Discovery Protocol)
Security	MAC address filtering Enable/disable port Storm control (broadcast and multicast types) IEEE 802.1x LAN access control Remote authentication through RADIUS SSH for CLI and Telnet security SSL for web security System log (remote/local) ACL
Quality of Service (QoS)	Priority Queues: 4 queues per port Traffic classification based on IEEE 802.1p CoS, DSCP, WRR (weighted round robin) and strict mode Rate Limiting (ingress/egress)
Network Redundant	IEEE 802.1D Spanning Tree Protocol (STP) IEEE 802.1w Rapid Spanning Tree Protocol (RSTP) IEEE 802.1s Multiple Spanning Tree Protocol (MSTP) EtherWAN's Alpha-Ring network fault recovery (<15ms)
Software	Auto-negotiation for port speed and duplex mode: Flow Control IEEE 802.3x full duplex mode Back-Pressure half duplex mode VLANs: IEEE 802.1Q Tag VLANs (128 groups, 4096 VID) GVRP (GARP VLAN Registration Protocol) GMRP (GARP Multicast Registration Protocol) Link Aggregation: Static Trunk (4 groups, support MAC base) IEEE 802.3ad Link Aggregation Control Protocol IGMP Snooping: IGMP snooping v1/v2/v3

Ordering Information

System	tBOX400-510-FL-Celeron/i3/i5/i7-24-110MRDC (P/N: E26N400100) for i7-7600U (P/N: E26N400101) for i5-7300U (P/N: E26N400102) for i3-7100U (P/N: E26N400103) for 3965U	Fanless railway embedded system, managed layer 2 PoE switch, Intel® Celeron® 3965U/Core™ i3-7100U/i5-7300U/i7-7600U processor, 4 USB 3.0, DVI-I, LAN, serial console or RS-232/422/485, Mic-in & Line-out, two 2.5" SATA trays, M12 A-code DC-in, and 24 to 110 VDC	
*MRDC: M12 DC-IN connector, Railway SKU, DC voltage input			

PSU120-259

Railway-24VDC (P/N: E276120105) Railway-48VDC (P/N: E276120106) Railway-96/110VDC (P/N: E276120107)	Fanless IEC 60945 certified/EN 50155 compliant DC-DC adapter • Supports 24/48/96/110V-in • Power output max. 120W • -40°C to +60°C (-40°F to +140°F) • For tBOX400	
--	--	---

Optional

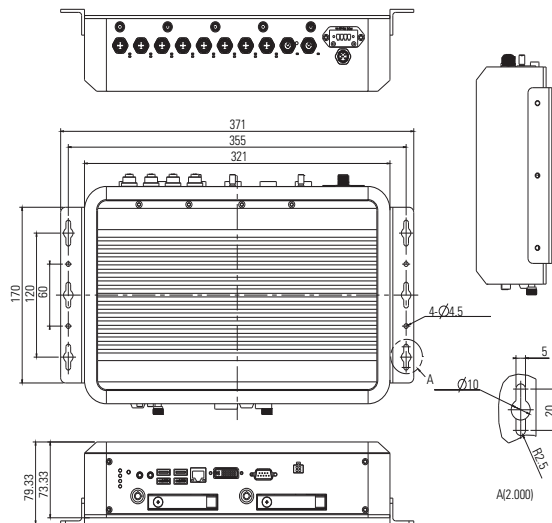
Communication modules	8816N3239A0E 3G UC20GKit for tBOX/UST (3G ANT) (E) 8816N3235A0E 3G/GPS UC20GKit tBOX/UST (3G/GPS ANT) (E) 8816N5003A0E AP12356 WT Wi-Fi kit for tBOX/UST SFP (E) 8816N5002A0E LTE MC7455(US) kit for tBOX/UST SFP (E) 8816N5000A0E LTE SIM7100JC kit for tBOX, JPN SFP (E) 8816N5006A0E LTE+GPS SIM7100 (JPE) kit tBOX (30) SFP (E) 88160620BA0E LTE SIMCOM SIM7100 (EU) for tBOX/UST SFP (E) 881745000A0E LTE+GPS SIM7100EU kit for tBOX/UST SFP (E) 8816N5004A0E LTE+GPS SIM7100C (TW) kit tBOX (30) SFP (E)	
AC to DC adapter	50966224010E Adapter 24V 90W, M12 A-code 5P FSP090AAAN3	

*Specifications and certifications may vary based on different requirements.

Power Protection

- SCP (short circuit protection)
- OVP (over voltage protection)
- UVP (under voltage protection)
- RVP (reverse voltage protection)

Dimensions



Assured Systems

Assured Systems is a leading technology company with over 1,500 regular clients in 80 countries, deploying over 85,000 systems to a diverse customer base in 12 years of business. We offer high-quality and innovative rugged computing, display, networking and data collection solutions to the embedded, industrial, and digital-out-of-home market sectors.

US

sales@assured-systems.com

Sales: +1 347 719 4508
Support: +1 347 719 4508

1309 Coffeen Ave
Ste 1200
Sheridan
WY 82801
USA

EMEA

sales@assured-systems.com

Sales: +44 (0)1785 879 050
Support: +44 (0)1785 879 050

Unit A5 Douglas Park
Stone Business Park
Stone
ST15 0YJ
United Kingdom

VAT Number: 120 9546 28
Business Registration Number: 07699660