

KS101-EHL



10.1" Industrial Touch Panel PC



KEY FEATURES



CPU Performance

Intel® Atom® x6425E Processor, Quad Core
Intel® Atom® x6413E Processor, Quad Core



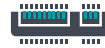
Touch Type

Projected Capacitive Touch



Dual Display

VGA + DP++



Multiple Expansions

Mini-PCIe
M.2 2230 E Key



Wide Voltage

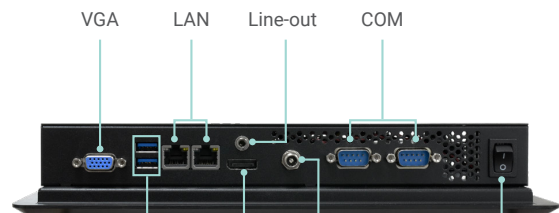
Support 9 ~ 36V



PANEL

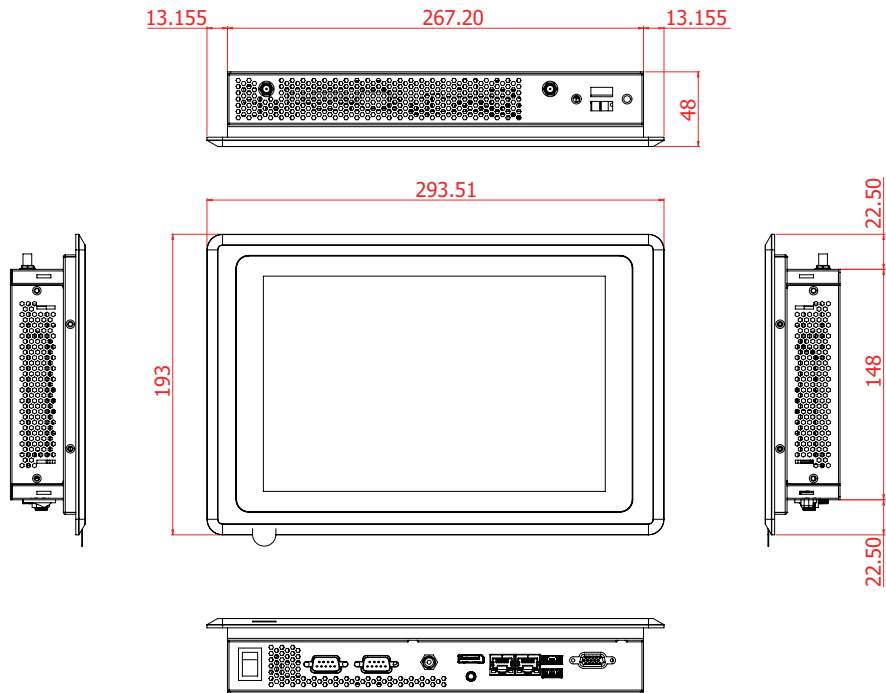


Top View

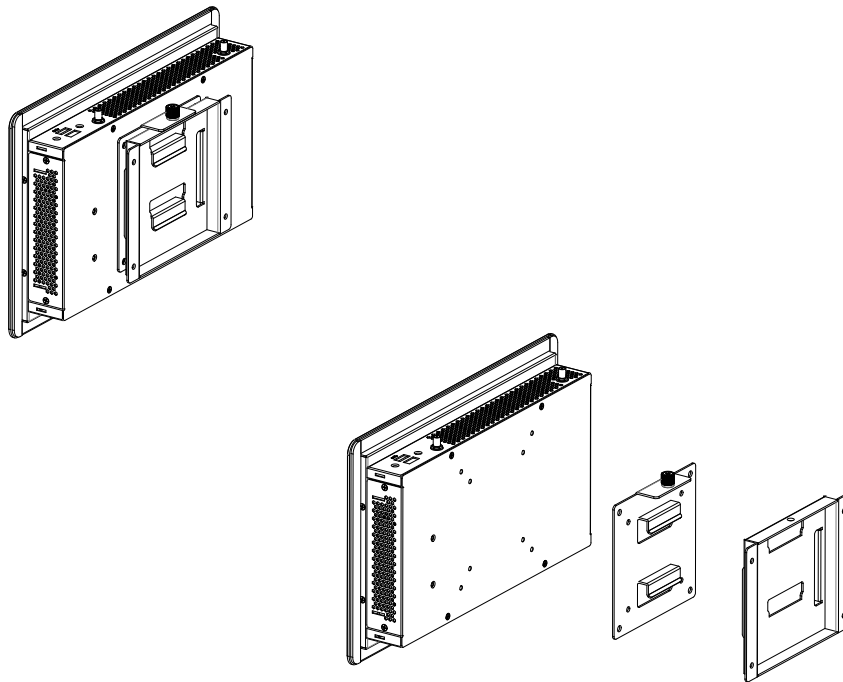


Bottom View

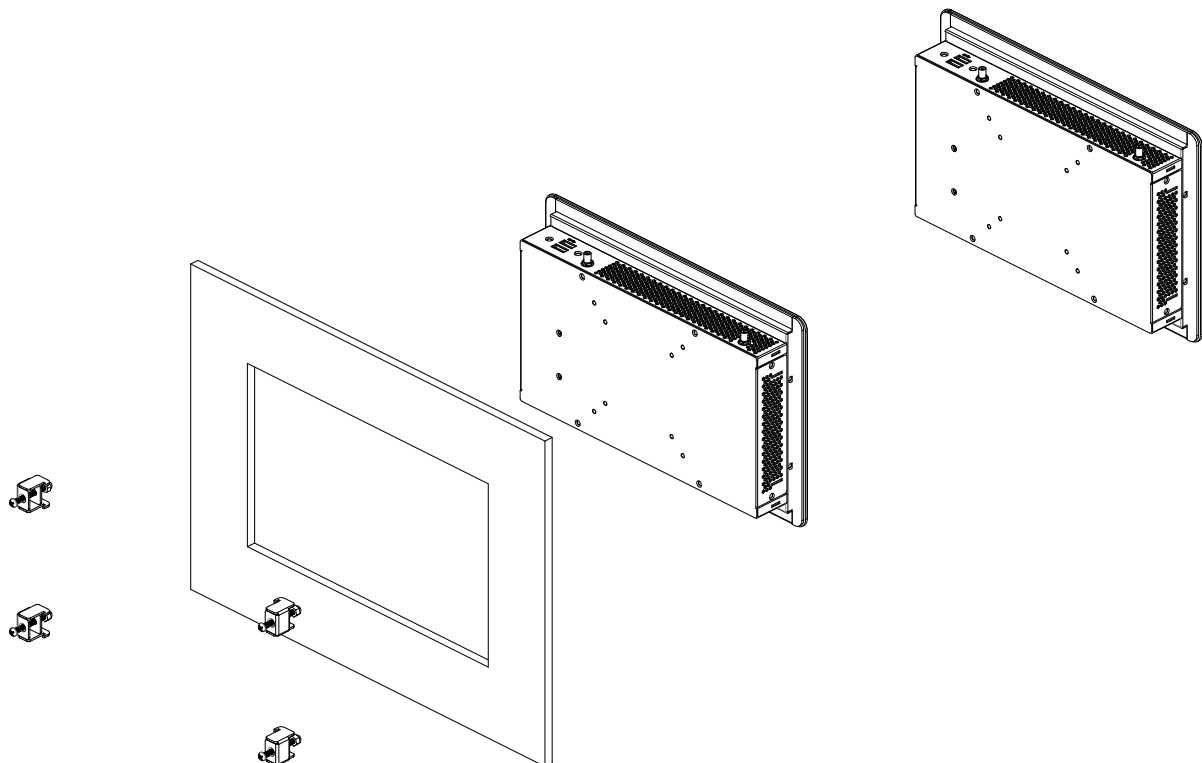
DIMENSIONS



VESA MOUNTING



PANEL MOUNTING



SPECIFICATION

| | | | |
|-----------------------------|-----------------------|--|---|
| DISPLAY AND TOUCH SCREEN | Display | 10.1" TFT LCD Panel | |
| | Contrast | 16 : 10 | |
| | Max. Resolution | 1280 x 800 | |
| | Touch Type | Projected Capacitive | |
| | Brightness | 500 (cd/m ²) | |
| | Backlight Lifetime | 50,000 (hours) | |
| SYSTEM | Processor | Intel® Atom® x6425E Processor, Quad Core, 1.5M Cache, 2.0GHz (3.0GHz), 12W Intel® Atom® x6413E Processor, Quad Core, 1.5M Cache, 1.5GHz (3.0GHz), 9W | |
| | Memory | Single DDR4-3200 SODIMM Up to 32GB | |
| | BIOS | AMI SPI 256Mbit (supports UEFI boot only) | |
| GRAPHICS | Controller | Intel® HD Graphics | |
| | Feature | OpenGL 5.0, DirectX 12, OpenCL 2.1 HW Decode: AVC/H.264, MPEG2, VC1, WMV9, JPEG/MJPEG, HEVC/H.265, VP8, VP9, MVC HW Encode: AVC/H.264, JPEG/MJPEG, HEVC/H.265, VP8, VP9, MVC | |
| | Display | 1 x DP++ 1 x VGA | DP++: resolution up to 4096x2304 @ 60Hz VGA: resolution up to 1920x1200 @ 60Hz |
| | Dual Displays | DP++ + VGA | |
| STORAGE | External | 1 x 2.5" SATA 3.0 Drive Bay | |
| EXPANSION | Interface | 1 x Mini-PCIe (PCIe/USB) | |
| | | 1 x M.2 2230 E Key (PCIe x1/USB2.0) | |
| I/O | Ethernet | 2 x GbE (RJ-45) | |
| | Serial | 1 x RS232/422/485 1 x RS232 | |
| | USB | 2 x USB 3.1 Gen2 2 x USB 2.0 | |
| | Display | 1 x DP++ 1 x VGA | |
| | Audio | 1 x line-out | |
| | Button | 1 x Power Button | |
| POWER | Type | DC 9-36V | |
| | Connector | DC Jack | |
| MECHANISM | Construction | Aluminum Front Bezel | |
| | Mounting | VESA mount 100 x 100 | |
| | IP Rating | IP65 Front Panel Protection | |
| | Dimensions(W x H x D) | 294 x 193 x 48mm | |
| | Weight | 1.7 Kg | |
| ENVIRONMENT | Operating Temperature | -20 ~ 65°C | |
| | Storage Temperature | -30 ~ 80°C | |
| | Relative Humidity | 10 to 95% @ 40°C, non-condensing | |
| STANDARDS AND CERTIFICATION | Shock | OP: Half-sine, 3G @ 11ms Non-OP: Half-sine, 5G @ 11ms | |
| | Vibration | OP: Random, 1Grms @ 5~500Hz, 30min Non-OP: Sweep sine, 3Grms @ 10~500Hz, 30min | |
| | Certifications | CE, FCC, UKCA, RoHS | |

ORDERING INFORMATION

| Model Name | Part Number | Description |
|-------------------|-----------------|--|
| KS101P-EHLW36-X13 | 750-KS1012-000G | KS101-EHL: KS101P-EHLW36-X13, 10.1" TFT WXGA Fan-less Panel PC with Projected Capacitive Touch, Intel® ATOM® x6413E, DC Input 9-36V DC jack, F/G SYSTEM RoHS |
| KS101P-EHLW36-X25 | 750-KS1012-100G | KS101-EHL: KS101P-EHLW36-X25, 10.1" TFT WXGA Fan-less Panel PC with Projected Capacitive Touch, Intel® ATOM® x6425E, DC Input 9-36V DC jack, F/G SYSTEM RoHS |

OPTIONAL ITEMS

| Optional Items | Part Number | Description |
|----------------|-----------------|---|
| Power Cord | 785-PWRD | Power Cord; Stand(USA/EUR/CH), 1.8m, RoHS |
| Power Adapter | 671-106012-000G | 60W,12V/5A,Level 6, RoHS |
| Panel Mount | 761-VS1010-000G | ACCESSORY PANEL MOUNT KITS VIS101, RoHS |

Please contact your regional sales representative if you need memory and storage information.

PACKING LIST

| |
|----------------------------|
| 1 KS101-EHL Touch Panel PC |
| 1 Poron foam |
| 1 Quick Installation Guide |

Assured Systems

Assured Systems is a leading technology company with over 1,500 regular clients in 80 countries, deploying over 85,000 systems to a diverse customer base in 12 years of business. We offer high-quality and innovative rugged computing, display, networking and data collection solutions to the embedded, industrial, and digital-out-of-home market sectors.

US

sales@assured-systems.com

Sales: +1 347 719 4508

Support: +1 347 719 4508

1309 Coffeen Ave
Ste 1200
Sheridan
WY 82801
USA

EMEA

sales@assured-systems.com

Sales: +44 (0)1785 879 050

Support: +44 (0)1785 879 050

Unit A5 Douglas Park
Stone Business Park
Stone
ST15 0YJ
United Kingdom

VAT Number: 120 9546 28

Business Registration Number: 07699660