

Embedded Computing

SBOX-2601

Intel Gen6 i7-6600U with HD Graphic 520 / 2 x LAN/ 2 x HDMI/ VGA/ DC 12V Fanless Box PC

Features

- Intel Gen 6 Core i7-6600U
- Triple Display Output (2 x HDMI / VGA)
- Dual Gigabit Ethernet
- Wide Range Operating Temp. : -30~60°C
- Ultra Slim, Compact Size and Fanless



Introduction

The SBOX-2601 is powered by Intel Gen 6 i7-6600U with HD Graphic 520/2 x LAN/2 x HDMI/VGA/DC 12V, and up to 16GB DDR4 SO-DIMM Fanless Box PC. Intel's sixth-generation core microarchitecture, "Skylake", is perfect solution for the application that requires a boost in performance, such as when streaming multimedia.

SBOX-2601 is designed for outdoor video surveillance, automatic factory, automatic guided vehicle (AGV) and flight information display system (FIDS) in the airports. The solutions can tackle all manner of outdoor digital applications and extreme weather conditions. In addition, the ultra slim (40 mm) compact size makes this series ideally suited for digital signage or kiosks where space is limited.

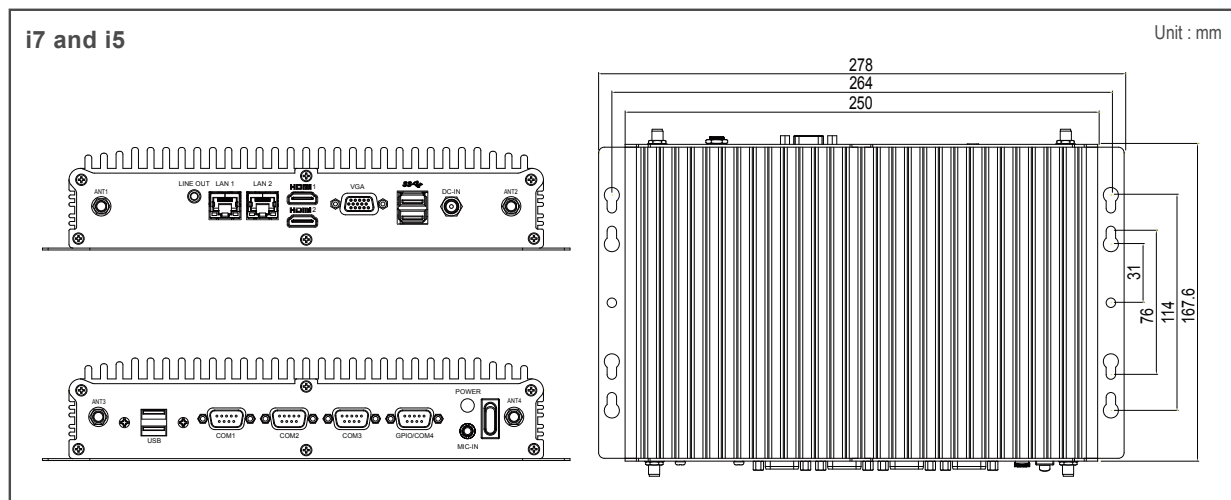
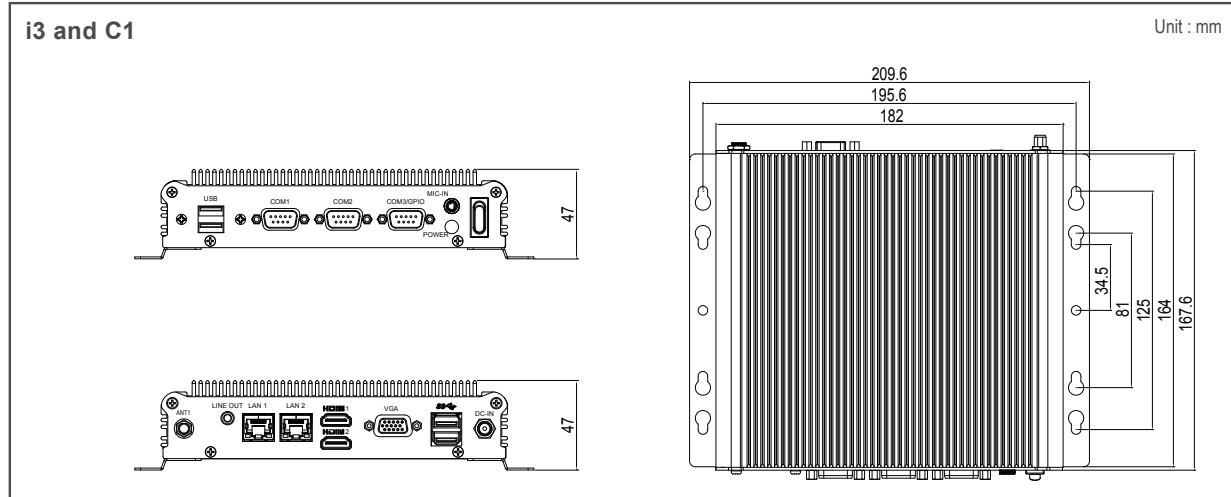
Specifications

System	
CPU	Intel Gen 6 Core i7-6600U 2.6GHz up to 3.4GHz
	Intel Gen 6 Core i5-6300U 2.4GHz up to 3.0GHz
	Intel Gen 6 Core i3-6100U 2.3GHz
	Intel Gen 6 Dual Core 3955U 2.0GHz
Memory	1 x DDR4 SO-DIMM up to 16GB
Chipset	N/A
Graphics	Intel HD Graphics
ATA	2 x Serial ATA ports with 6Gb/s HDD Transfer Rate
LAN Chipset	1 x Intel i210-AT Gigabit Ethernet
	1 x Intel i219-LM Gigabit Ethernet (LAN 2), support iAMT for i5 & i7
Watchdog	1 ~ 255 level reset
I/O	
Serial Port	3 x RS-232/422/485 (for i7 and i5)
	2 x RS-232/422/485 (for i3 and C1)
USB Port	2 x USB 2.0 Ports and 2 x USB 3.0
LAN	2 x RJ45 Ports for GbE
Video Port	2 x HDMI/ 1 x VGA
GPIO Port	4 In and 4 Out GPIO Ports (5V Level)
Audio	Line-Out / Mic-in
Expansion Bus	1 x Mini-Card Slot, 1 x M.2 A-E Key

Software	
Operating System	Windows 10, Ubuntu 16.04 64bit
Environmental	
Operating Temp.	-30 ~ 60°C, ambient w/ 0.6m/s airflow
Storage Temp.	-40 ~ 85°C
Relative Humidity	10% RH – 90% RH (non-condensing)
Power Input	DC 12V Input
Storage	
Type	1 x 2.5" Drive Bay for SATA Type Hard Disk Drive/SSD 1 x SATA DOM
Qualification	
Certifications	CE, FCC Class A
Mechanical	
Construction	Aluminum Alloy
Mounting	Wall-mount (Optional VESA and Din Rail Mounting kit for i3, C1 only)
Weight	1200g (Barebone)
Dimensions	182 x 167.6 x 47 mm (for i3 and C1)
	250 x 167.6 x 54 mm (for i7 and i5)

All specifications are subject to change without notice.

Dimensions



Please Scan The QR Code For More Information

Ordering Information

Part Number	SBOX-2601-i7, SBOX-2601-i5, SBOX-2601-i3, SBOX-2601-C1
Description	Intel Gen6 i7-6600U with HD Graphic 520 / 2 x LAN/ 2 x HDMI/ VGA DC 12V Fanless Box PC
State of Origin	Made in Taiwan

Optional Accessories

DRAM	SO-DIMM max.DDR4-2133, 4GB~16GB,0~70°C/-40~85°C
SATA SSD	2.5inch MLC/TLC 64GB~1TB 0~70°C/-40~85°C
SATA DOM	MLC 8GB~128GB, 0~70°C/-40~85°C
Wifi	M.2 A-E key 2230, 802.3a/b/g/n/ac
GPS	GPS miniPCle card
Power adapter	Power Adapter 12V/5A 60W Jack

All specifications are subject to change without notice.

Assured Systems

Assured Systems is a leading technology company with over 1,500 regular clients in 80 countries, deploying over 85,000 systems to a diverse customer base in 12 years of business. We offer high-quality and innovative rugged computing, display, networking and data collection solutions to the embedded, industrial, and digital-out-of-home market sectors.

US

sales@assured-systems.com

Sales: +1 347 719 4508
Support: +1 347 719 4508

1309 Coffeen Ave
Ste 1200
Sheridan
WY 82801
USA

EMEA

sales@assured-systems.com

Sales: +44 (0)1785 879 050
Support: +44 (0)1785 879 050

Unit A5 Douglas Park
Stone Business Park
Stone
ST15 0YJ
United Kingdom

VAT Number: 120 9546 28
Business Registration Number: 07699660