

KS156-BT



Intel Celeron® J1900 Processor
15.6" Industrial Touch Panel PC



KEY FEATURES



Touch Type

Projected Capacitive Touch



Multiple Storage

1x 2.5" SATA drive bay



Rich I/O

2 LAN, 2 COM, 1 USB 3.0, 2 USB 2.0

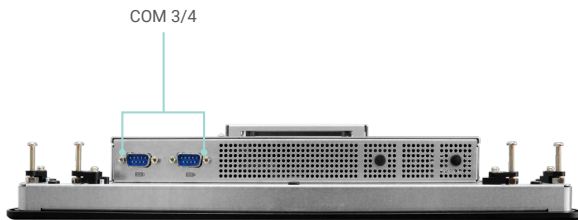


IP Rating

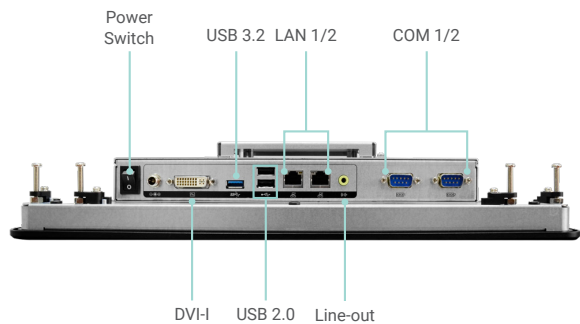
IP65 Front Panel Protection



PANEL

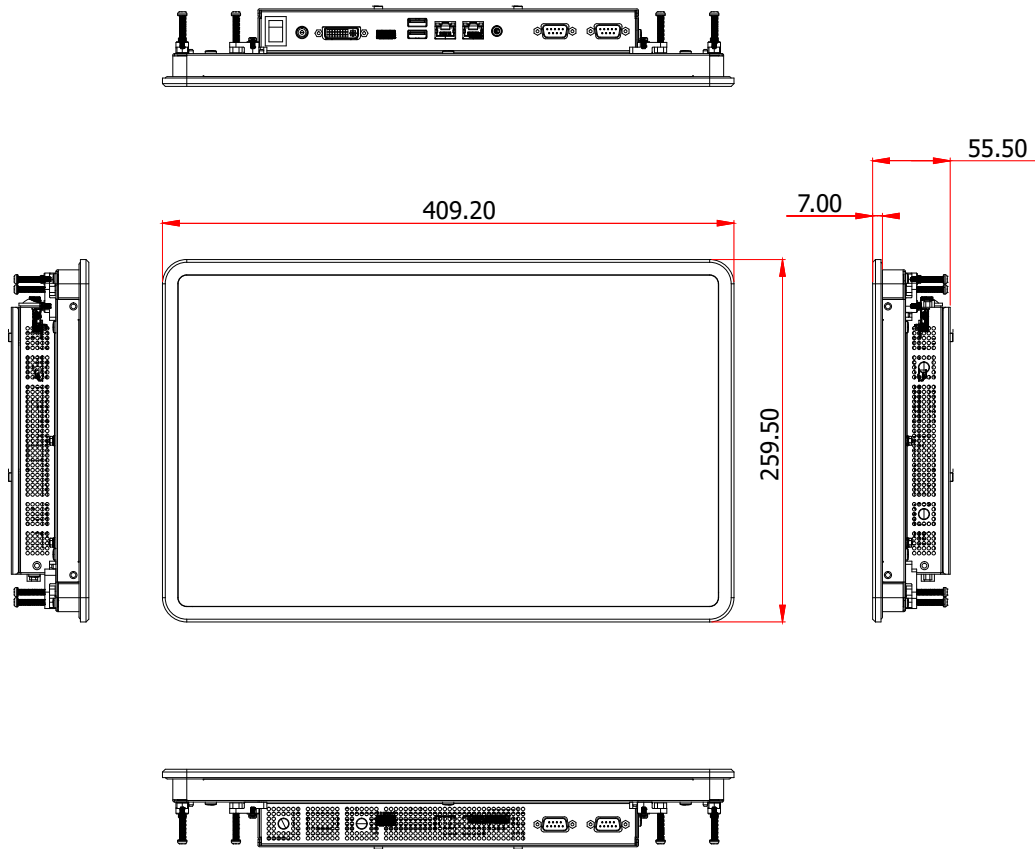


Top View



Bottom View

DIMENSIONS



SPECIFICATION

| | | | |
|-----------------------------|-----------------------|---|--|
| DISPLAY AND TOUCH SCREEN | Display | 15.6" TFT LCD Panel | |
| | Contrast | 700 : 1 | |
| | Max. Resolution | 1920 x 1080 | |
| | Touch Type | Projected Capacitive | |
| | Brightness | 400 (cd/m ²) | |
| | Backlight Lifetime | 50,000 hours (Min) | |
| SYSTEM | Processor | Intel Celeron® J1900 Processor, 2M Cache, Max. Speed: 2.42GHz, 10W | |
| | Memory | One SODIMM up to 4GB Single Channel DDR3L 1066MHz | Two SODIMM up to 8GB Dual Channel DDR3L 1333MHz |
| | BIOS | AMI SPI 64Mbit | |
| GRAPHICS | Controller | Intel® HD Graphics | |
| | Feature | OpenGL 4.0, DirectX 11, OCL 1.2, OGL 4.0, H.264, MPEG2, MVC, VC-1, WMV9 and VP8 (supported version dependent on OS) | |
| | Display | 1 x DVI-I 24-bit, resolution up to 1920x1080 @ 60Hz | |
| STORAGE | External | 1 x 2.5" SATA 2.0 Drive Bay 1 x mSATA (Shared by Mini PCIe Socket) | |
| EXPANSION | Interface | 1 x PCIe x1 1 x Mini PCIe 1 x SIM card | |
| AUDIO | Audio Codec | Realtek ALC888 | |
| Ethernet | Controller | 2 x Intel® I210AT | |
| LED | Indicators | Power, HDD LED | |
| I/O | Ethernet | 2 x GbE | |
| | Serial | 2 x RS232/422/485 | |
| | USB | 1 x USB 3.2 2 x USB 2.0 | |
| | Display | 1 x DVI-I | |
| | Audio | 1 x line-out | |
| | Button | 1 x Power Switch | |
| POWER | Type | DC 19-24V | |
| | Connector | DC Jack | |
| OS SUPPORT | Microsoft | Win10 IoT | |
| MECHANISM | Construction | Sheet Metal | |
| | Mounting | Panel / VESA Mount | |
| | IP Rating | IP65 Front Panel Protection without power button | |
| | Dimensions(W x H x D) | 409 x 259 x 65.5 mm | |
| | Weight | 6.2 Kg | |
| ENVIRONMENT | Operating Temperature | 0 ~ 50°C (SSD) | |
| | Storage Temperature | -30 ~ 70°C | |
| | Relative Humidity | 5~85% RH (non-condensing) | |
| STANDARDS AND CERTIFICATION | Shock | OP: Half-sine, 3G @ 11ms Non-OP: Half-sine, 5G @ 11ms | |
| | Vibration | OP: Random, 1Grms @ 5~500Hz, 30min Non-OP: Sweep sine, 3Grms @ 10~500Hz, 30min | |
| | Certification | CE/FCC | |

PACKING LIST

| |
|-----------------------------|
| • 1 KS156-BT Touch Panel PC |
| • 4 M3 Screws |
| • 1 SATA cable |

Assured Systems

Assured Systems is a leading technology company with over 1,500 regular clients in 80 countries, deploying over 85,000 systems to a diverse customer base in 12 years of business. We offer high-quality and innovative rugged computing, display, networking and data collection solutions to the embedded, industrial, and digital-out-of-home market sectors.

US

sales@assured-systems.com

Sales: +1 347 719 4508
Support: +1 347 719 4508

1309 Coffeen Ave
Ste 1200
Sheridan
WY 82801
USA

EMEA

sales@assured-systems.com

Sales: +44 (0)1785 879 050
Support: +44 (0)1785 879 050

Unit A5 Douglas Park
Stone Business Park
Stone
ST15 0YJ
United Kingdom

VAT Number: 120 9546 28
Business Registration Number: 07699660