



6th Gen Intel® Core™ Processor  
Desktop Box IPC



# ST102-SD

H110



### Features

- Supports 4GB/8GB DDR4 SODIMM
- 1x 2.5" SATA drive bay  
1x optional slim ODD bay
- 2 LAN, 4 USB



### Panel

**Front View**

- Slim ODD bay (optional)
- HDD LED
- Power LED
- Power Button
- USB 2.0
- Mic-in
- Line-out

**Rear View**

- DC-in
- DVI-I
- HDMI/DP
- USB 3.0
- LAN1~2

**Stand View**

### Dimensions

**Front View**: 79.10 (height), 75.10 (width)

**Left View**: 3.10 (depth)

**Right View**: 229.70 (height)

**Rear View**: (width)



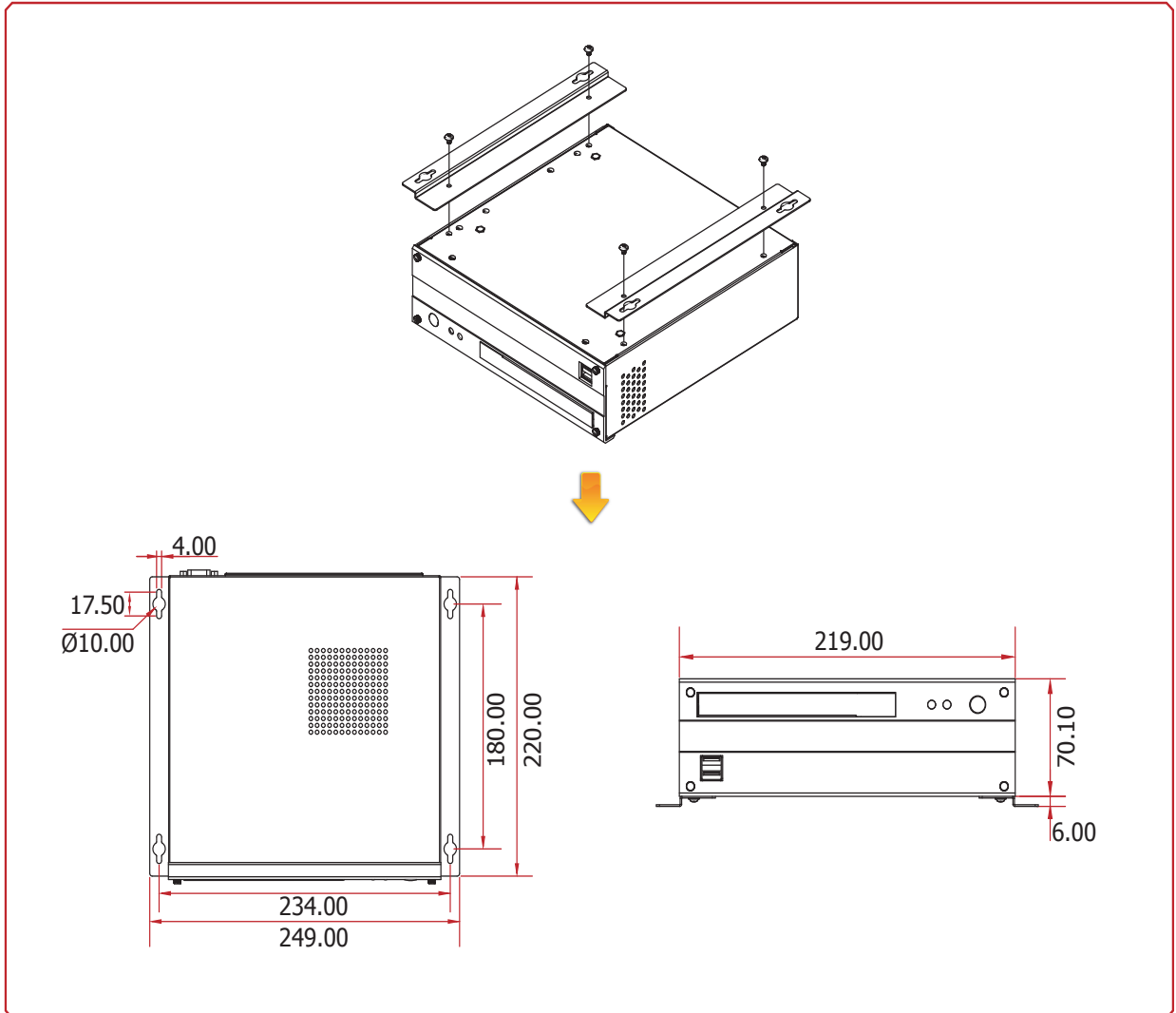
**Specifications**

|                                     |                                 |   |  |
|-------------------------------------|---------------------------------|---|--|
| <b>SYSTEM</b>                       | <b>Processor</b>                | 6th/7th Generation Intel® Core™ Processors, LGA 1151 Socket<br>Intel® Core™ i7-7700T, Quad Core, 8M Cache, 2.9GHz (3.8GHz), 35W<br>Intel® Core™ i5-7500T, Quad Core, 6M Cache, 2.7GHz (3.3GHz), 35W<br>Intel® Core™ i3-7101T, Dual Core, 3M Cache, 3.4GHz, 35W<br>Intel® Celeron® Processor G3930TE, Dual Core, 2M Cache, 2.7GHz, 35W<br>Intel® Core™ i7-6700TE, Quad Core, 8M Cache, 2.4GHz (3.4GHz), 35W<br>Intel® Core™ i5-6500TE, Quad Core, 6M Cache, 2.3GHz (3.3GHz), 35W<br>Intel® Core™ i3-6100TE, Dual Core, 4M Cache, 2.7GHz, 35W<br>Intel® Pentium® G4400TE, Dual Core, 3M Cache, 2.4GHz, 35W<br>Intel® Celeron® Processor G3900TE, Dual Core, 2M Cache, 2.6GHz, 35W |  |
|                                     | <b>Chipset</b>                  | Intel® H110 Chipset   |  |
|                                     | <b>Memory</b>                   | 4GB/8GB Two 260-pin SODIMM  | Dual Channel DDR4 1866/2133/2400MHz  |
|                                     | <b>BIOS</b>                     | AMI SPI 64Mbit  |  |
|                                     | <b>GRAPHICS</b>                 | <b>Controller</b>   | Intel® HD Graphics   |
|                                     | <b>Feature</b>                  | Supports 6 Graphics Execution Units (EUs)<br>Intel® Clear Video Technology<br>DirectX Video Acceleration (DXVA) support for accelerating video processing   |  |
|                                     | <b>Display</b>                  | 1 x DVI-I (DVI-D signal)<br>1 x HDMI/DP (DP available upon request)   | DVI-I: resolution up to 1920x1200 @ 60Hz<br>HDMI: resolution up to 2560x1600 @ 60Hz or 4096x2160 @ 60Hz<br>DP: resolution up to 4096x2304 @ 60Hz |
|                                     | <b>Dual Displays</b>            | DVI-I (DVI-D signal) + HDMI/DP  |  |
| <b>STORAGE</b>                      |                                 | 1 x 2.5" SATA 3.0 Drive Bay<br>1 x Slim ODD Bay (optional)  |  |
| <b>AUDIO</b>                        | <b>Audio Codec</b>              | Realtek ALC888  |  |
| <b>ETHERNET</b>                     | <b>Controller</b>               | 1 x Intel® I210AT PCIe (10/100/1000Mbps)<br>1 x Intel® I219LM PCIe with iAMT11.0 (10/100/1000Mbps)  |  |
| <b>LED</b>                          | <b>Indicators</b>               | 1 x Power LED<br>1 x HDD LED  |  |
| <b>FRONT I/O</b>                    | <b>USB</b>                      | 2 x USB 2.0   |  |
|                                     | <b>Audio</b>                    | 1 x Line-out<br>1 x Mic-in  |  |
|                                     | <b>Buttons</b>                  | 1 x Power Button  |  |
| <b>REAR I/O</b>                     | <b>Ethernet</b>                 | 2 x GbE (RJ-45)   |  |
|                                     | <b>USB</b>                      | 4 x USB 3.0   |  |
|                                     | <b>Display</b>                  | 1 x DVI-I (DVI-D signal)<br>1 x HDMI/DP   |  |
| <b>COOLING</b>                      | <b>Fan</b>                      | 1 x System Fan<br>1 x CPU Fan   |  |
| <b>WATCHDOG TIMER</b>               | <b>Output &amp; Interval</b>    | System Reset, Programmable via Software from 1 to 255 Seconds   |  |
| <b>POWER</b>                        | <b>Type</b>                     | 12V   |  |
|                                     | <b>Connector</b>                | DC Jack   |  |
| <b>OS SUPPORT</b>                   |                                 | Windows 10 IoT Enterprise 64-bit  |  |
| <b>MECHANISM</b>                    | <b>Construction</b>             | Sheet Metal & Aluminum  |  |
|                                     | <b>Mounting</b>                 | Wall mount  |  |
|                                     | <b>Dimensions ( W x H x D )</b> | 219mm x 77.15mm x 229.7mm   |  |
|                                     | <b>Weight</b>                   | TBD   |  |
| <b>ENVIRONMENT</b>                  | <b>Operating Temperature</b>    | 0 to 40°C   |  |
|                                     | <b>Storage Temperature</b>      | -20 to 70°C   |  |
|                                     | <b>Relative Humidity</b>        | 10 to 85% RH (non-condensing)   |  |
| <b>STANDARDS AND CERTIFICATIONS</b> | <b>Shock</b>                    | Operating: 3G   | Non-operating: 5G  |
|                                     | <b>Vibration</b>                | Operating: Random 5~500Hz 1G  | Non-operating: Sweep Sine 10~500Hz 1.5G  |
|                                     | <b>Package Drop</b>             | ISTA Project 1A   |  |
|                                     | <b>Certification</b>            | CE/FCC/VCCI/RoHS  |  |



**ST101-HD171**

▶ **Wall Mounting**



ST101-HD171



► **Ordering Information**

| Model Name | Part Number     | Description                             |
|------------|-----------------|---|
| ST102-SD   | 750-ST1020-091G | ST101-HD171: HD171-H81, 12V DC-in, RoHS |

► **Optional Items**

| Optional Items       | Part Number     | Description   |
|----------------------|-----------------|---|
| <b>Power Adapter</b> | 671-110005-100G | AC input, DC output 12V 100W, Level 6   |
| <b>Slim ODD</b>      | 632-222010-010G | DVD RW Slim Type SATA,DS-8ACSH, PLDS  |
| <b>CPU</b>           | 785-1150DL      | CPU, LGA1150, Long-term support, RoHS   |
| <b>Memory</b>        | 785-RSOD38G-L   | SODIMM, DDR3L Module (supports dual voltage 1.5V DDR3/1.35V DDR3L), 8GB, RoHS |
|                      | 785-RSOD34G-L   | SODIMM, DDR3L Module (supports dual voltage 1.5V DDR3/1.35V DDR3L), 4GB, RoHS |
|                      | 785-RSOD32G-L   | SODIMM, DDR3L Module (supports dual voltage 1.5V DDR3/1.35V DDR3L), 2GB, RoHS |
|                      | 785-RSOD31G     | SODIMM, DDR3 Module, 1GB, RoHS  |
| <b>HDD</b>           | 785-H25500G     | 2.5" SATA HDD, 500GB, RoHS  |
|                      | 785-H25320G     | 2.5" SATA HDD, 320GB, RoHS  |
|                      | 785-S251TBG     | 2.5" SATA SSD, 1TB MLC, RoHS  |
|                      | 785-S25512G     | 2.5" SATA SSD, 512GB MLC, RoHS  |
|                      | 785-S25256G     | 2.5" SATA SSD, 256GB MLC, RoHS  |
|                      | 785-S25128G     | 2.5" SATA SSD, 128GB MLC, RoHS  |
|                      | 785-S25064G     | 2.5" SATA SSD, 64GB MLC, RoHS   |
| <b>SSD mSATA</b>     | 785-MS128GTF    | mSATA Card, 128GB 3D TLC, RoHS  |
|                      | 785-MS256GTF    | mSATA Card, 256GB 3D TLC, RoHS  |
|                      | 785-MS512GTF    | mSATA Card, 512GB 3D TLC, RoHS  |
|                      | 785-MS1TTF      | mSATA Card, 1TB 3D TLC, RoHS  |
| <b>Wi-Fi</b>         | 761-110091-000G | Wi-Fi Kit, RoHS   |
| <b>Power Cord</b>    | 785-PWRD        | Power Cord, Standards (USA/EUR/CH), 1.8m, RoHS                                |

► **Packing List**

|                              |
|------------------------------|
| • 1 ST101-HD171 system unit  |
| • 1 CPU cooler               |
| • 1 HDD drive bay kit        |
| • 1 Heatsink/fan             |
| • 1 Quick Installation Guide |
| • 1 CD disk includes:        |
| - Drivers / Manual           |

## Assured Systems

Assured Systems is a leading technology company with over 1,500 regular clients in 80 countries, deploying over 85,000 systems to a diverse customer base in 12 years of business. We offer high-quality and innovative rugged computing, display, networking and data collection solutions to the embedded, industrial, and digital-out-of-home market sectors.

### US

[sales@assured-systems.com](mailto:sales@assured-systems.com)

Sales: +1 347 719 4508  
Support: +1 347 719 4508

1309 Coffeen Ave  
Ste 1200  
Sheridan  
WY 82801  
USA

### EMEA

[sales@assured-systems.com](mailto:sales@assured-systems.com)

Sales: +44 (0)1785 879 050  
Support: +44 (0)1785 879 050

Unit A5 Douglas Park  
Stone Business Park  
Stone  
ST15 0YJ  
United Kingdom

VAT Number: 120 9546 28  
Business Registration Number: 07699660