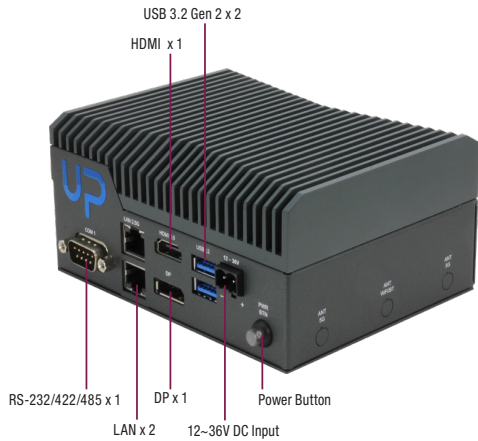


UP Squared Pro 710H Edge PRELIMINARY

UP Squared Pro 710H Edge System with Intel Atom® x7000 RE Series, Intel® Processor N Series, and Intel® Core™ i3-N305 Processors

UP Systems

Front View



Rear View



Features

- Intel Atom® x7000 RE Series, Intel® Processor N Series, and Intel® Core™ i3-N305 Processors
- Onboard Hailo-8™ edge AI processor
- Onboard LPDDR5 Memory, up to 16GB
- Onboard eMMC Storage, up to 128GB
- 2.5GbE x 2 (Intel® I226-IT)
- USB 3.2 (Type-A) x 2
- 40-pin GPIO x 1
- DP 1.2 x 1/HDMI 2.0b x 1
- RS-232/422/485 x 2
- M.2 2230 E-Key/M.2 2280 M-Key (Optional: M.2 3052 B-Key x 1)
- Onboard TPM 2.0
- 12V~36V DC-in with Phoenix Connector

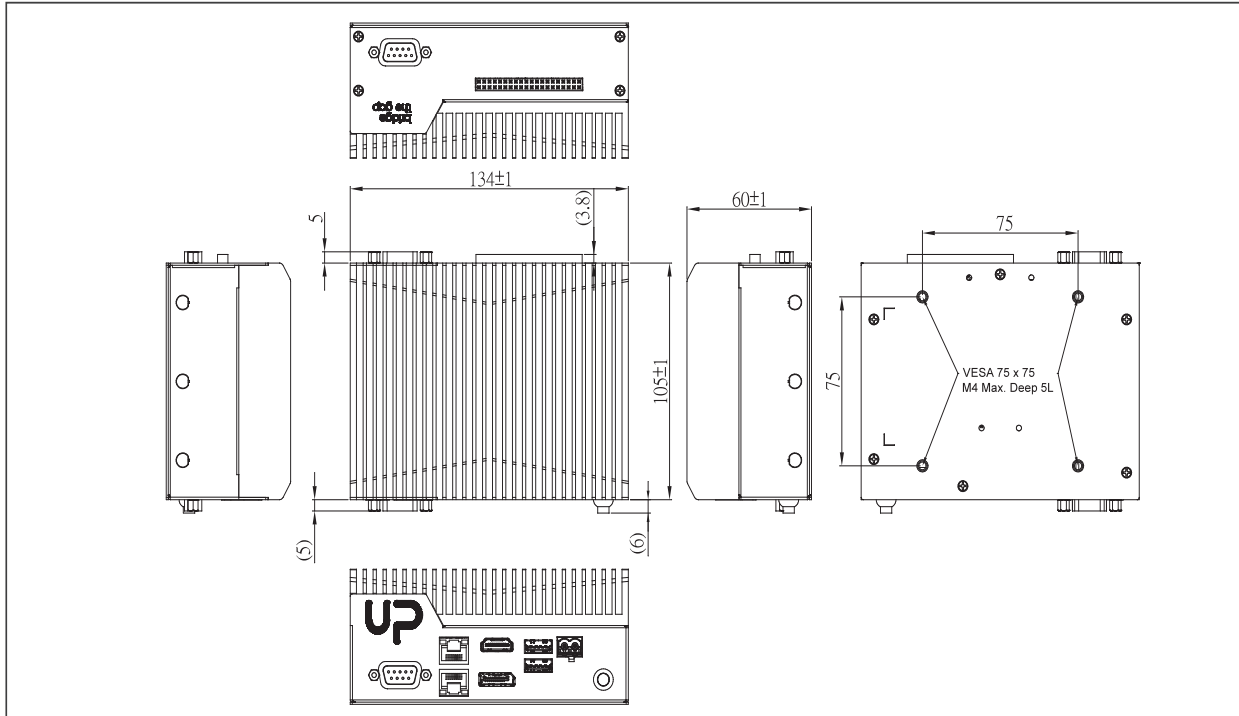


Specifications

System	
CPU	Intel® Core™ i3-N305 (8C, 1.80 GHz, 15W) Intel® Processor N97 (4C, 2.00 GHz, 12W) Onboard Hailo-8™ edge AI processor
Memory	Up to 16GB onboard LPDDR5
Graphics	Intel® UHD Graphics for 12th Gen Intel® Processors
Storage	Up to 128GB onboard eMMC
Ethernet	2.5GbE x 2 (Intel® I226-IT)
WiFi/BT	Optional with M.2 2230 E-key x 1
Expansion Slot	M.2 2230 E-Key x 1 (CNVI, PCIe Gen 3 [x1], USB 2.0) M.2 2280 M-Key x 1 (PCIe Gen 3 [x2]), Optional: M.2 3052 B-Key with Nano SIM slot (USB 3.0)
Security	Onboard TPM 2.0
OS Support	Windows® 10 IoT Enterprise Ubuntu 22.04 LTS
I/O Placements	
USB	USB 3.2 Gen 2 x 2 (Type-A)
Display Port	HDMI 2.0b x 1 DP 1.2 x 1
Ethernet	2.5GbE x 2 (Intel® I226-IT)
COM	RS-232/422/485 x 2
Audio	—
GPIO	40-pin GPIO x 1
Power Supply	
Power requirement	12V-36V DC-in Phoenix connector (Optional: Lockable plug)
Power supply type	AT/ATX (AT as default)
Power Consumption(Typical)	50W~55W
Mechanical	
Mounting	VESA Mount/Wall Mount/DIN RAIL (Optional)
Dimensions (WxHxD)	5.28" x 4.13" x 2.36" (134mm x 105mm x 60mm)
Net Weight	1.8 lbs (0.69kg)
Gross Weight	2.2 lbs (0.97kg)
Environment	
Operating Temperature	32°F ~ 140°F (0°C ~ 60°C) / 0.5 airflow
Operating Humidity	0% ~ 90% relative humidity, non-condensing
Storage Temperature	-4°F ~ 158°F (-20°C ~ 70°C)
MTBF	422,053 Hours
Certification	CE/FCC Class A, RoHS Compliant, REACH

UP Squared PRO 710H Edge

Dimension Unit: mm



Packing List

- UP Squared Pro 710H Edge x 1
- DC in Phoenix Connector x 1

Optional Accessories

Part Number	Description
1255X00091	(TF)AC/DC Adapter.Input AC:100-240V.Output DC:12V.MAX 72W.6.0A.Wire Stripping and Tinning. EDAC.EA10681U(T19)
170203180J	Power Cord for UK
170X000799	Power Cord for USA
170X000800	Power Cord for EU
170X000815	Power Cord for China
170X000806	Power Cord for Taiwan
170X000803	Power Cord for Japan
170X000810	Power Cord for South Korea
170X000805	Power Cord for Switzerland
M206614000	Mounting Clip for DIN RAIL

Ordering Information

PART NUMBER	CPU	CORE	MEMORY	STORAGE	HEATSINK	VPU	OPERATING TEMPERATURE
UPN-EDGE-ASLHN97-A10-0864	Intel® Processor N97	4 Core	8GB	64GB	FANLESS	Onboard Hailo-8™ edge AI processor	32°F ~ 140°F (0°C ~ 60°C) / 0.5 airflow
UPN-EDGE-ASLH3-A10-16128	Intel® Core™ i3-N305	8 Core	16GB	128GB	FANLESS	Onboard Hailo-8™ edge AI processor	32°F ~ 140°F (0°C ~ 60°C) / 0.5 airflow

Assured Systems

Assured Systems is a leading technology company with over 1,500 regular clients in 80 countries, deploying over 85,000 systems to a diverse customer base in 12 years of business. We offer high-quality and innovative rugged computing, display, networking and data collection solutions to the embedded, industrial, and digital-out-of-home market sectors.

US

sales@assured-systems.com

Sales: +1 347 719 4508
Support: +1 347 719 4508

1309 Coffeen Ave
Ste 1200
Sheridan
WY 82801
USA

EMEA

sales@assured-systems.com

Sales: +44 (0)1785 879 050
Support: +44 (0)1785 879 050

Unit A5 Douglas Park
Stone Business Park
Stone
ST15 0YJ
United Kingdom

VAT Number: 120 9546 28
Business Registration Number: 07699660