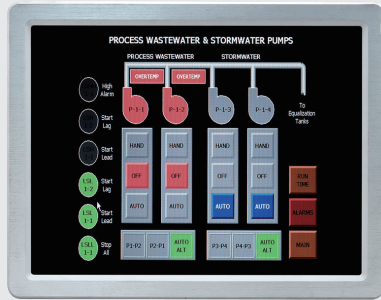


ARC-1538

15" 11th Generation Intel® Core™ i3/i5/i7 Processors Fanless
Rugged Touch Panel PC with IET Expansion



Features

- 11th Generation Intel® Core™ i3/i5/i7 Processors
- One 260-pin SODIMM sockets supports up to 32GB DDR4 3200 SDRAM
- 4 x USB3.2, 2 x COM, Dual Intel Gigabit LAN
- 2 x M.2 slots (Key-B 2242/3042/3052, Key-E 2230)
- Support Wi-Fi / BT / 4G / 5G (by option)
- Wide voltage +12V ~ +24V input, ErP power
- Available expansion for audio, USB, COM, HDMI, MPCIe, GPIO, CAN bus
- IP65 compliant front panel, IP41 rear box
- 5-wire resistive touch
- TPM 2.0 function
- Fanless operation from -10°C ~ 50°C (14°F ~ 122°F)



+12V ~ +24V



Resistive



Fanless



Wide Temp.
-10°C ~ 50°C



Front IP65
Rear IP41

Specifications

System Information

Processor	11th Generation Intel® Core™ i3/i5/i7 Processors Intel® Core™ i3-1115G4E Processor, 6M Cache, up to 3.00 GHz Intel® Core™ i5-1145G7E Processor, 8M Cache, up to 2.60 GHz Intel® Core™ i7-1185G7E Processor, 12M Cache, up to 2.80 GHz
System Memory	1 x 260-pin DDR4 3200MHz SO-DIMM up to 32 GB
I/O Chipset	EC ITE IT8528E
Watchdog Timer	H/W reset, 1sec. ~ 65535min. and 1sec. or 1min./step
H/W Status Monitor	Monitoring CPU & system temperature and voltage
TPM	Onboard NuvoTon NPCT754AABYX support TPM 2.0
SBC	ARC-TGL
CPU Cooler (Type)	Fanless heatsink
Other	7 x Knockouts for antenna mounting

Expansion

Expansion	1 x M.2 Key-B 2242/3042/3052 with SIM card slot Support SATA3 / PCIe & USB for LTE(4/5G) / NVMe (BOM option for PCIe 2); 1 x M.2 Key-E 2230 Support PCIe/USB/ CNVi Wi-Fi/BT module; 1 x 80-pin IET interface
------------------	--

Storage

Storage	1 x 2.5" Drive bay (7mm HDD restricted)
----------------	---

Display

Graphic Chipset	Intel® Tiger Lake UP3 SoC integrated graphics supports optional dual display
Spec. & Resolution	HDMI: Max. Resolution 4096x2160 @ 24Hz (optional by IET module)

Audio

Audio Codec	Realtek ALC888S
Speaker Output	2 x 2W

Ethernet

LAN Chipset	1 x Intel® I219LM Gigabit Ethernet PHY 1 x Intel® I225LM 2.5 Gigabit Ethernet
Ethernet Interface	Intel® I219LM : 10/100/1000 Base-Tx GbE compatible Intel® I225LM: 10/100/1000/2.5G Base-Tx GbE compatible

Power Requirement

DC Input	+12V ~ +24V
DC Input Connector	Lockable DC Jack (default), Optional for phoenix connector
ACPI	Single power ATX support S0, S3, S4, S5 and ACPI 3.0 compliant

Software Support

OS	Win10 / Win11 / Linux
-----------	-----------------------

Certification

Certification Information	CE / FCC Class B / VCCI
----------------------------------	-------------------------

Panel

LCD Size	15", 4:3
Display Type	XGA
Resolution	1024 x 768
Pixel Pitch	0.297mm (H) x 0.297mm (V)
Luminance	500 cd/m ²
Contrast Ratio	2500
Viewing Angle	88 (U), 88 (D), 88 (L), 88 (R)
Response time	16 ms
Backlight	LED
Touch Type	5 wires resistive
Touch Light Transmission	80%
Touch Controller	Onboard USB touch (PenMount)

External I/O

USB	4 x USB 3.0
LAN Port	2 x RJ-45
COM Port	1 x RS-232/422/485, 1 x RS-232

Internal I/O

SATA	1 x SATA III
-------------	--------------

System Control

LED Indicator	HDD LED, power LED
----------------------	--------------------

Mechanical & Environmental

Operating Temp.	-10°C ~ 50°C (14°F ~ 122°F)
Storage Temp.	-20°C ~ 60°C (-4°F ~ 140°F)
Operating Humidity	40°C @ 95% Relative humidity, non-condensing
Dimension (W x L x H)	350.51 x 274.51 x 54.5mm
Weight	3.7 Kg
Vibration Test	With SSD/M.2 SSD : 3Grms, IEC 60068-2-64, random, 5 ~ 500Hz, 30mins/axis
Shock Test	Operating with SSD/M.2 : MIL-STD-810G, method 516.6, procedure I, functional shock=20G
Drop Test	ISTA 2A, IEC-60068-2-32 Test:Ed
IP Rating	Front panel IP65, Back cover IP41
Mounting Kit	Wall / Stand / VESA 75mm x 75mm, 100mm x 100mm
Power Mode	AT/ATX (ATX is default)
Construction	Silver aluminum (Front), Black die casting (Rear)

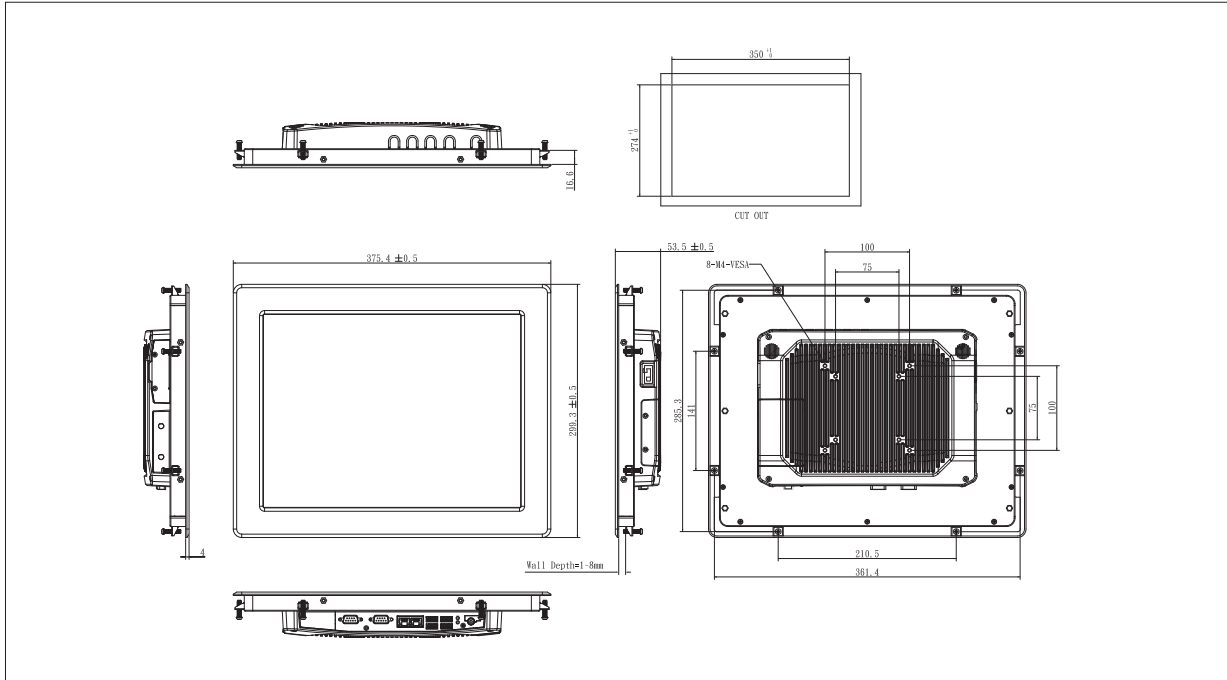
Component

Adapter	Input: 100 ~ 240Vac / 50 ~ 60Hz Output: 72W adapter (19V @ 3.78A adapter) AC-DC adapter
----------------	--

ARC-1538

15" 11th Generation Intel® Core™ i3/i5/i7 Processors Fanless
Rugged Touch Panel PC with IET Expansion

Mechanical Drawing



Ordering Information

P/N	Touch Type	Processor	Memory	Storage	Resolution	Luminance	COM	USB	LAN	Power Input	Operating Temp.	OS Support
ARC-1538-57E-AIR	Resistive	Intel® Core™ i5-1145G7E	1 x 260-pin DDR4 3200MHz SO-DIMM	1 x 2.5" Drive bay (7mm HDD restricted)	1024 x 768	500	2	4	2	+12V ~ +24V	-10°C ~ 50°C	Win10 / Win11 / Linux
ARC-1538-WMB-AIR	Resistive	Intel® Core™ i5-1145G7E	1 x 260-pin DDR4 3200MHz SO-DIMM	1 x 2.5 Drive bay (7mm HDD restricted)	1024 x 768	500	2	4	2	+12V ~ +24V	-10°C ~ 50°C	Win10 / Win11 / Linux

Packing List

Item	P/N	Quantity
AC/DC adapter 19V/3.78A Screw Type	ACC-ADP-072N-02R	1
HDD shockproof Rubber	ACC-RUBBER-0001R	4
M4 x 6mm Screw for VESA	ACC-SCREW-0002R	4
M3 x 8mm Screw for HDD	ACC-SCREW-0005R	4
Screw-Round M4x25mm (WMB)	E1935052510R	8
IP65 Wall mounting Bracket (WMB)	E1962LP2018R	8
Plastics spacer support D7.7x8 (WMB)	E199PS00002R	8

Optional Items

Item	P/N
4 x USB 3.0 IET module for ARC-1535/38	ACC-ARC-USB-01R
HDMI + 5.1 CH audio IET module for ARC-1535/38	ACC-ARC-AUDIO-01R
HDMI + MPCIIE w/SIM IET module for ARC-1535/38	ACC-ARC-MPCIIE-02R
2 x Isolated RS-232 IET module for ARC-1535/38	ACC-ARC-COM-01R
3 x RS-232 IET module for ARC-1535/38	ACC-ARC-COM-02R
2 x RS-232 + USB IET module for ARC-1535/38	ACC-ARC-COM-03R
2 x RS-232 + LAN IET module for ARC-1535/38	ACC-ARC-COM-04R
12-bit GPIO + 2-pin CAN bus IET module for ARC-1535/38	ACC-ARC-GPIO-01R
OBDII - CAN bus IET module for ARC-1535/38 (OBDII/EOBD for small vehicle)	ACC-ARC-OBDII-01R
OBDII - CAN bus IET module for ARC-1535/38 (J1939J1708 for large vehicle)	ACC-ARC-OBDII-02R
OBDII - CAN bus IET module for ARC-1535/38 (ISO15765-4 for special large vehicle)	ACC-ARC-OBDII-03R
USA Power Cord	E1702031835R
EU Power Cord	E170203183DR
Japan Power Cord	E170203183BR
UK Power Cord	E170203183ER
Australia Power Cord	E1702031800R

I/O Overview



Assured Systems

Assured Systems is a leading technology company with over 1,500 regular clients in 80 countries, deploying over 85,000 systems to a diverse customer base in 12 years of business. We offer high-quality and innovative rugged computing, display, networking and data collection solutions to the embedded, industrial, and digital-out-of-home market sectors.

US

sales@assured-systems.com

Sales: +1 347 719 4508
Support: +1 347 719 4508

1309 Coffeen Ave
Ste 1200
Sheridan
WY 82801
USA

EMEA

sales@assured-systems.com

Sales: +44 (0)1785 879 050
Support: +44 (0)1785 879 050

Unit A5 Douglas Park
Stone Business Park
Stone
ST15 0YJ
United Kingdom

VAT Number: 120 9546 28
Business Registration Number: 07699660