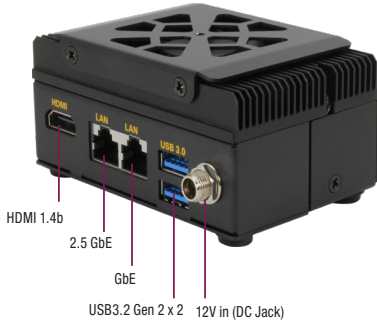


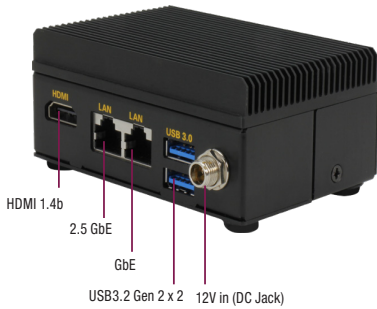
# de next-TGU8-EZBOX

de next system with onboard 11th Gen. Intel® Core™ Series Processor

With Cooler



With Heatsink



## Features

- Onboard 11th Gen. Intel® Core™ Series Processor, TDP 15W
- Onboard LPDDR4x 3733 up to 16GB
- HDMI 1.4b x 1
- 2.5GbE RJ45 x 1, GbE RJ45 x 1
- USB 3.2 Gen 2 x 2
- M.2 2280 M-Key x 1 (PCIe [x2] x 1)
- DC 12V in
- Multiple Dissipation Solutions: with CPU Cooler/Heatsink

Display Interface	HDMI 1.4b x 1, up to 3840 x 2160 @30Hz
Multiple Display	Single Display
<b>Audio</b>	
Codec	—
Audio Interface	—
Speaker	—
<b>External I/O</b>	
Ethernet	Intel® Ethernet Controller I225/I226, 2.5GbE RJ-45 x 1 Intel® Ethernet Connection I219, 1GbE RJ-45 x 1
USB	USB 3.2 Gen 2 x 2
Serial Port	—
Video	HDMI 1.4b x 1, up to 3840 x 2160 @30Hz
<b>Internal I/O</b>	
USB	—
Serial Port	—
Video	—
SATA	—
Audio	—
DIO/GPIO	—
SMBus/I2C	—
Touch	—
Fan	4 Pin Smart Fan (with Cooler version only)
Sim	—
Front Panel	—
Others	—
<b>Expansion</b>	
Mini PCIe/mSATA	—
M.2	M.2 2280 M-Key x 1 (PCIe 4.0 [x2] x 1)
Others	—
<b>Environment &amp; Certification</b>	
Operating Temp.	14°F ~122°F (-10°C ~50°C) with 0.7m/sec air flow
Storage Temp.	-40°F ~ 176°F (-40°C ~ 80°C)
Operating Humidity	0% ~ 90% relative humidity, non-condensing
MTBF (Hours)	609,263
EMC	CE/FCC Class A

## Specifications

<b>System</b>	
Form Factor	de next System
CPU	Onboard 11th Gen Intel® Core™ Processors Intel® Core™ i7-1185G7E (4C/8T, 1.80 GHz, 15W), with Cooler Version Only Intel® Core™ i5-1145G7E (4C/8T, 1.50 GHz, 15W), with Cooler Version Only Intel® Core™ i3-1115G4E (2C/4T, 2.20 GHz, 15W), with Cooler Version & Heatsink Version
Chipset	Integrated with Intel® SoC
Memory Type	Onboard LPDDR4x 3733, up to 16GB
BIOS	UEFI
Wake on LAN	Yes
Watchdog Timer	255 Levels
Security	fTPM
RTC Battery	Lithium Battery 3V/240mAh
Dimensions	3.75" x 2.73" x 1.78" (95.5mm x 69.5mm x 45.4mm), with Cooler Version 3.75" x 2.73" x 1.67" (95.5mm x 69.5mm x 42.5mm), with Heatsink Version
OS Support	Windows 10 (64bit) Ubuntu 20.04.4 (Kernel 5.13)
<b>Power</b>	
Power Requirement	+12V
Power Supply Type	AT/ATX
Connector	DC Jack Connector
Power Consumption	Intel® Core™ i7-1185G7E, LPDDR4x 16GB, 4.58A@12V, 55W (Typical) Intel® Core™ i7-1185G7E, LPDDR4x 16GB, 7A@12V, 84W (Max)
<b>Display</b>	
Controller	Intel® UHD Graphics for 11th Gen Intel® Processors
LVDS/eDP	—

## Packing List

- de next-TGU8-EZBOX x 1
- Wall Mount Bracket & Screw x 1
- Thermal Pad x 1

## Optional Accessories

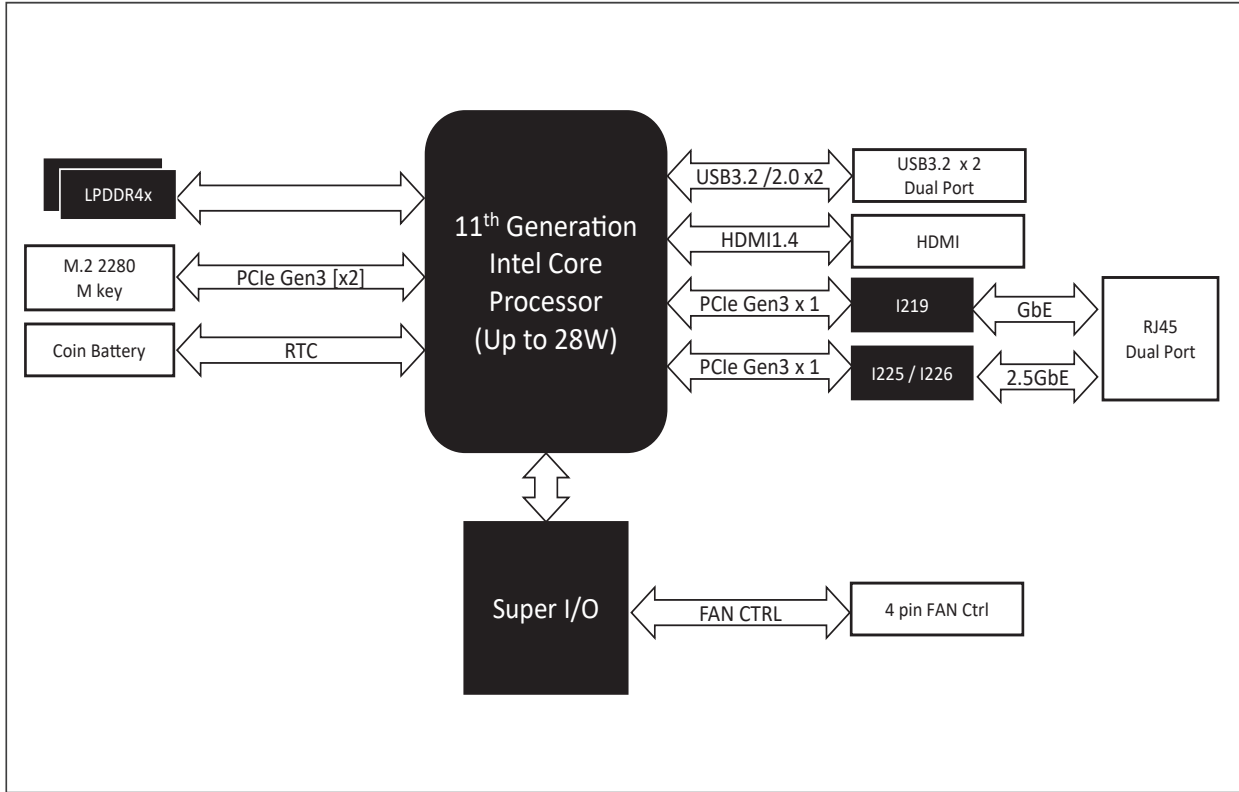
Part Number	Description	QTY
1255900903	(TF)Power Adapter:100/240V.50/60Hz.12V/7.5A.90W.DELTA.DPS-90AB-3 A	1

# de next-TGU8-EZBOX

07

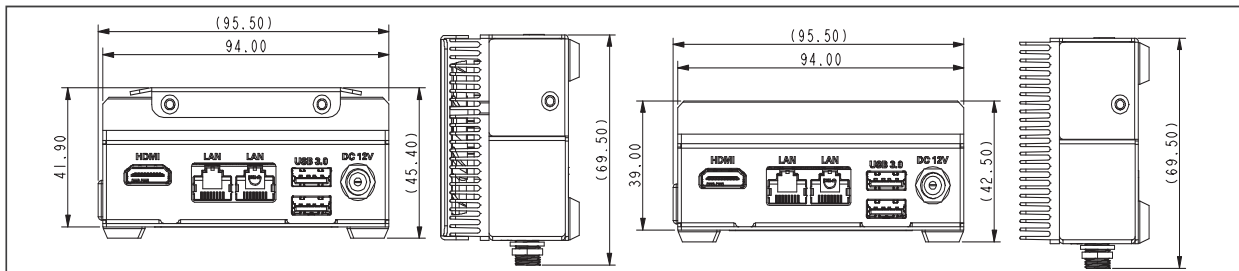
de next

## Block Diagram



## Dimension

Unit: mm



## Ordering Information

Part Number	CPU	Memory	Display	Storage	LAN	USB	COM Port	Expansion	Power	Operating Temperature	Others
DENEXT-TGU8-EBX-A10-A001	Intel® Core™ i7-1185G7E	Onboard LPDDR4x 16GB	HDMI 1.4 x 1	M.2 2280 M key (PCIe)x2 x 1)	2.5 GbE x 1, GbE x 1	USB 3.2 Gen 2 x 2	—	M.2 2280 M key (PCIe)x2 x 1)	+12V	-10°C ~ 50°C	with CPU Cooler Version
DENEXT-TGU8-EBX-A10-A002	Intel® Core™ i5-1145G7E	Onboard LPDDR4x 16GB	HDMI 1.4 x 1	M.2 2280 M key (PCIe)x2 x 1)	2.5 GbE x 1, GbE x 1	USB 3.2 Gen 2 x 2	—	M.2 2280 M key (PCIe)x2 x 1)	+12V	-10°C ~ 50°C	with CPU Cooler Version
DENEXT-TGU8-EBX-A10-A003	Intel® Core™ i3-1115G4E	Onboard LPDDR4x 16GB	HDMI 1.4 x 1	M.2 2280 M key (PCIe)x2 x 1)	2.5 GbE x 1, GbE x 1	USB 3.2 Gen 2 x 2	—	M.2 2280 M key (PCIe)x2 x 1)	+12V	-10°C ~ 50°C	with CPU Cooler Version
DENEXT-TGU8-EBX-A10-P001	Intel® Core™ i3-1115G4E	Onboard LPDDR4x 16GB	HDMI 1.4 x 1	M.2 2280 M key (PCIe)x2 x 1)	2.5 GbE x 1, GbE x 1	USB 3.2 Gen 2 x 2	—	M.2 2280 M key (PCIe)x2 x 1)	+12V	-10°C ~ 50°C	with Heatsink Version

Note: All specifications are subject to change without notice.

www.aaeon.com

07-6

## Assured Systems

Assured Systems is a leading technology company with over 1,500 regular clients in 80 countries, deploying over 85,000 systems to a diverse customer base in 12 years of business. We offer high-quality and innovative rugged computing, display, networking and data collection solutions to the embedded, industrial, and digital-out-of-home market sectors.

### US

[sales@assured-systems.com](mailto:sales@assured-systems.com)

Sales: +1 347 719 4508  
Support: +1 347 719 4508

1309 Coffeen Ave  
Ste 1200  
Sheridan  
WY 82801  
USA

### EMEA

[sales@assured-systems.com](mailto:sales@assured-systems.com)

Sales: +44 (0)1785 879 050  
Support: +44 (0)1785 879 050

Unit A5 Douglas Park  
Stone Business Park  
Stone  
ST15 0YJ  
United Kingdom

VAT Number: 120 9546 28  
Business Registration Number: 07699660