

EPC-RPU

13th Gen Intel® Raptor Lake-P U Series
Fanless Compact System



Features

- Intel® 13th Gen Raptor Lake-P Core™ Processor
- Intel® Iris® Xe / UHD Graphics for 13th Gen Intel® Processors
- One SO-DIMM Socket, Max. Up Max. up to 32GB DDR5 5200MHz
- Triple Display, HDMI 2.0, DP 1.4, USB Type C support DP 1.4
- Dual Intel® 2.5 Gigabit Ethernet
- Triple Storage , 2.5" Drive Bay, M.2 Key B, Key-M (NVMe)
- Support TPM2.0, RAID 0/1, Wall Mount
- 12-24V DC Wide Range Power Input



3-Expansion
M.2 Key B/M/E



High Speed
NVMe 4-PCIe



Fanless
0-50°C



+12/24Vdc



Type-C
USB3.2/DP/PD

Specifications

System Information

Processor	Intel® Core™ i5-1335UE Processor (15W) Intel® Core™ i3-1315UE Processor (15W)
System Memory	1 x 262-pin SO-DIMM socket Max. up to 32GB DDR5 5200MHz
I/O Chipset	EC ITE IT5782VG
BIOS Information	AMI BIOS, 256Mbit SPI Flash ROM
Watchdog Timer	H/W Reset, 1sec. ~ 65535sec and 1sec. or 1min./step
H/W Status Monitor	System temperature monitoring and Voltages monitoring
RAID	RAID 0/1 (SATA)
TPM	Onboard TPM 2.0 IC
SBC	ECM-RPL

Expansion

M.2	1 x M.2 Key-B 3042/3052/2242 (SATA3, USB3.0, w/SIM Card Slot) 1 x M.2 Key-M 2280 (PCIe, Gen4x4) 1 x M.2 Key-E 2230 (PCIe, USB2.0)
------------	---

Storage

M.2	1 x M.2 Key-B 2242 (SATA3) 1 x M.2 Key-M 2280 (NVMe, PCIe Gen4 x 4)
------------	--

2.5 Drive Bay	1 x Internal 2.5 Drive Bay (7mm)
----------------------	----------------------------------

Front I/O

USB	2 x USB 2.0
Power Button	1 x Power Button
Reset Button	1 x Reset Button
COM Port	2 x RS232/422/485
LED Indicator	1 x Power on/off LED 1 x Storage Access LED
Audio	1 x Mic-in 1 x Line-out

Rear I/O

USB	3 x USB 3.2 Gen2 1 x USB 2.0 1 x USB Type C support DP/USB 3.2 Gen 1/PD 5V x 3A
LAN Port	2 x RJ45
DP	1 x DP 1.4
HDMI	1 x HDMI 2.0b
Antenna	2 x Antenna Mounting with Dust Protection Cover
AC/DC Input	1 x Lockable DC Jack

Right I/O

Antenna	1 x Antenna Mounting with Dust Protection Cover
----------------	---

Left I/O

Antenna	1 x Antenna Mounting with Dust Protection Cover
----------------	---

Display

Graphic Chipset	Intel® UHD Graphics for 13th Gen Intel® Processors
Resolution	1 x DP 1.4: Max. 7680 x 4320 @ 60Hz 1 x HDMI 2.0b: Max. 4096 x 2160 @ 60Hz 1 x DP 1.4 (from USB Type C): Max. 4096 x 2304 @ 60Hz

Audio

Audio Codec	Realtek ALC888S
--------------------	-----------------

Ethernet

LAN Chipset	2 x Intel® I226LM
Specification	2 x 10/100/1000/2.5G Base-Tx GbE compatible

Power Requirement

Voltage Input Spec.	Typical 12V/24V
Voltage Input Connector	Lockable DC Jack
ACPI	Single power ATX Support S0, S3, S4, S5 ACPI 5.0 Compliant
Power Mode	AT/ATX (ATX is default setting)
Adapter	Input: 100 ~ 240Vdc/ 50 ~ 60Hz Output: 12V/10A AC-DC 120W Adapter

Software Support

OS	Win10, Win11, Linux
-----------	---------------------

Certification

Certification Information	CE, FCC, Class B, UKCA
----------------------------------	------------------------

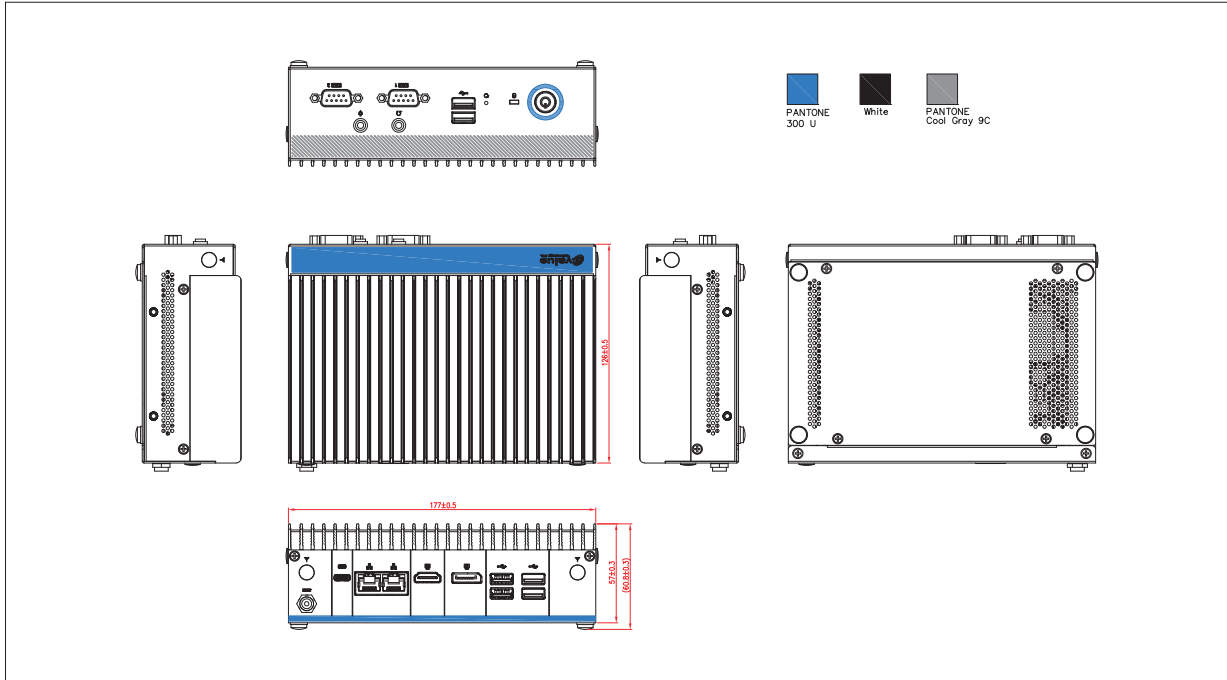
Mechanical & Environmental

Operating Temp.	With extended temperature peripherals: 0°C ~ 50°C (32°F ~ 122°F) with 0.5m/s air flow With 2.5" hard drive: 0°C ~ 40°C (32°F ~ 113°F) with 0.5m/s air flow
Storage Temp.	-30 ~ 70°C (-22°F ~ 158°F)
Operating Humidity	40°C @ 95% Relative Humidity, Non-condensing
Dimension (W x L x H)	177x 126 x 57mm (6.97" x 4.94" x 2.24")
Vibration Test	With SSD : 1.5Grms, IEC 60068-2-64, Random, 5 ~ 500Hz, 1hr/axis
Shock Test	With SSD : 10 Grms, IEC 60068-2-27, Half Sine, 11ms
Drop Test	ISTA 2A, IEC-60068-2-32 Test : Ed, 1 Corner, 3 Edges, 6 Faces
Mounting Kit	Wall Mount Kit

EPC-RPU

13th Gen Intel® Raptor Lake-P U Series
Fanless Compact System

Mechanical Drawing



Ordering Information

P/N	Processor	Memory	Adapter	Mounting Kit	I/O Ports (COM/USB/LAN)	Display Output	Power Input	Working Temp.	OS Support
EPC-RPU-I5E-A1-1R	Intel® Core™ i5-1335UE Processor	8GB DDR5	12V/10A	Wall mount	2/6(7)/2	HDMI/DP/Type C (Support DP)	+12~24V DC in	0°C ~ 50°C	Windows 10/11 Linux
EPC-RPU-I3E-A1-1R	Intel® Core™ i3-1315UE Processor	8GB DDR5	12V/10A	Wall mount	2/6(7)/2	HDMI/DP/Type C (Support DP)	+12~24V DC in	0°C ~ 50°C	Windows 10/11 Linux

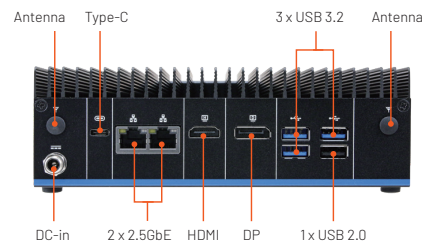
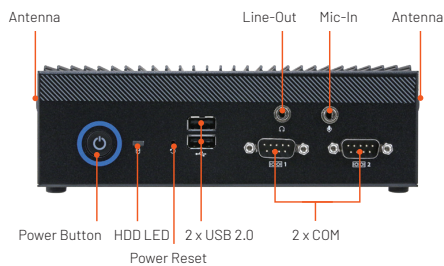
Packing List

Item	Quantity
EPC-RPU Compact System	1
AC/DC Adapter 12V/10A	1
DP to VGA Adapter Cable Type	1
Wall Mount	2
Screw Kit for Peripherals	1

Optional Items

Item	P/N
Power Cord 3P (F)-3P (M) 183cm, USA Type	E1702031833R
Power Cord SL-6+SL-3 183cm, EU Type	E1702031000R
Power Cord 3P (F)-3P (M) 183cm, Japan w/PSE Type	E1702031834R
Power Cord QP-026+SL-3 183cm, UK Type	E170P060380R
Power Cord 3P (F)-3P (M) 183cm, Australia Type	E1702031831R

I/O Overview



Assured Systems

Assured Systems is a leading technology company with over 1,500 regular clients in 80 countries, deploying over 85,000 systems to a diverse customer base in 12 years of business. We offer high-quality and innovative rugged computing, display, networking and data collection solutions to the embedded, industrial, and digital-out-of-home market sectors.

US

sales@assured-systems.com

Sales: +1 347 719 4508
Support: +1 347 719 4508

1309 Coffeen Ave
Ste 1200
Sheridan
WY 82801
USA

EMEA

sales@assured-systems.com

Sales: +44 (0)1785 879 050
Support: +44 (0)1785 879 050

Unit A5 Douglas Park
Stone Business Park
Stone
ST15 0YJ
United Kingdom

VAT Number: 120 9546 28
Business Registration Number: 07699660