

# EPC-RPU

13th Gen Intel® Raptor Lake-P U Series  
Fanless Compact System



## Features

- Intel® 13th Gen Raptor Lake-P Core™ Processor
- Intel® Iris® Xe / UHD Graphics for 13th Gen Intel® Processors
- One SO-DIMM Socket, Max. Up Max. up to 32GB DDR5 5200MHz
- Triple Display, HDMI 2.0, DP 1.4, USB Type C support DP 1.4
- Dual Intel® 2.5 Gigabit Ethernet
- Triple Storage , 2.5" Drive Bay, M.2 Key B, Key-M (NVMe)
- Support TPM2.0, RAID 0/1, Wall Mount
- 12-24V DC Wide Range Power Input



3-Expansion  
M.2 Key B/M/E



High Speed  
NVMe 4-PCIe



Fanless  
0-50°C



+12/24Vdc



Type-C  
USB3.2/DP/PD

## Specifications

### System Information

<b>Processor</b>	Intel® Core™ i5-1335UE Processor (15W) Intel® Core™ i3-1315UE Processor (15W)
<b>System Memory</b>	1 x 262-pin SO-DIMM socket Max. up to 32GB DDR5 5200MHz
<b>I/O Chipset</b>	EC ITE IT5782VG
<b>BIOS Information</b>	AMI BIOS, 256Mbit SPI Flash ROM
<b>Watchdog Timer</b>	H/W Reset, 1sec. ~ 65535sec and 1sec. or 1min./step
<b>H/W Status Monitor</b>	System temperature monitoring and Voltages monitoring
<b>RAID</b>	RAID 0/1 (SATA)
<b>TPM</b>	Onboard TPM 2.0 IC
<b>SBC</b>	ECM-RPL

### Expansion

<b>M.2</b>	1 x M.2 Key-B 3042/3052/2242 (SATA3, USB3.0, w/SIM Card Slot) 1 x M.2 Key-M 2280 (PCIe, Gen4x4) 1 x M.2 Key-E 2230 (PCIe, USB2.0)
------------	---

### Storage

<b>M.2</b>	1 x M.2 Key-B 2242 (SATA3) 1 x M.2 Key-M 2280 (NVMe, PCIe Gen4 x 4)
------------	--

<b>2.5 Drive Bay</b>	1 x Internal 2.5 Drive Bay (7mm)
----------------------	----------------------------------

### Front I/O

<b>USB</b>	2 x USB 2.0
<b>Power Button</b>	1 x Power Button
<b>Reset Button</b>	1 x Reset Button
<b>COM Port</b>	2 x RS232/422/485
<b>LED Indicator</b>	1 x Power on/off LED 1 x Storage Access LED
<b>Audio</b>	1 x Mic-in 1 x Line-out

### Rear I/O

<b>USB</b>	3 x USB 3.2 Gen2 1 x USB 2.0 1 x USB Type C support DP/USB 3.2 Gen 1/PD 5V x 3A
<b>LAN Port</b>	2 x RJ45
<b>DP</b>	1 x DP 1.4
<b>HDMI</b>	1 x HDMI 2.0b
<b>Antenna</b>	2 x Antenna Mounting with Dust Protection Cover
<b>AC/DC Input</b>	1 x Lockable DC Jack

### Right I/O

<b>Antenna</b>	1 x Antenna Mounting with Dust Protection Cover
----------------	---

### Left I/O

<b>Antenna</b>	1 x Antenna Mounting with Dust Protection Cover
----------------	---

### Display

<b>Graphic Chipset</b>	Intel® UHD Graphics for 13th Gen Intel® Processors
<b>Resolution</b>	1 x DP 1.4: Max. 7680 x 4320 @ 60Hz 1 x HDMI 2.0b: Max. 4096 x 2160 @ 60Hz 1 x DP 1.4 (from USB Type C): Max. 4096 x 2304 @ 60Hz

### Audio

<b>Audio Codec</b>	Realtek ALC888S
--------------------	-----------------

### Ethernet

<b>LAN Chipset</b>	2 x Intel® I226LM
<b>Specification</b>	2 x 10/100/1000/2.5G Base-Tx GbE compatible

### Power Requirement

<b>Voltage Input Spec.</b>	Typical 12V/24V
<b>Voltage Input Connector</b>	Lockable DC Jack
<b>ACPI</b>	Single power ATX Support S0, S3, S4, S5 ACPI 5.0 Compliant
<b>Power Mode</b>	AT/ATX (ATX is default setting)
<b>Adapter</b>	Input: 100 ~ 240Vdc/ 50 ~ 60Hz Output: 12V/10A AC-DC 120W Adapter

### Software Support

<b>OS</b>	Win10, Win11, Linux
-----------	---------------------

### Certification

<b>Certification Information</b>	CE, FCC, Class B, UKCA
----------------------------------	------------------------

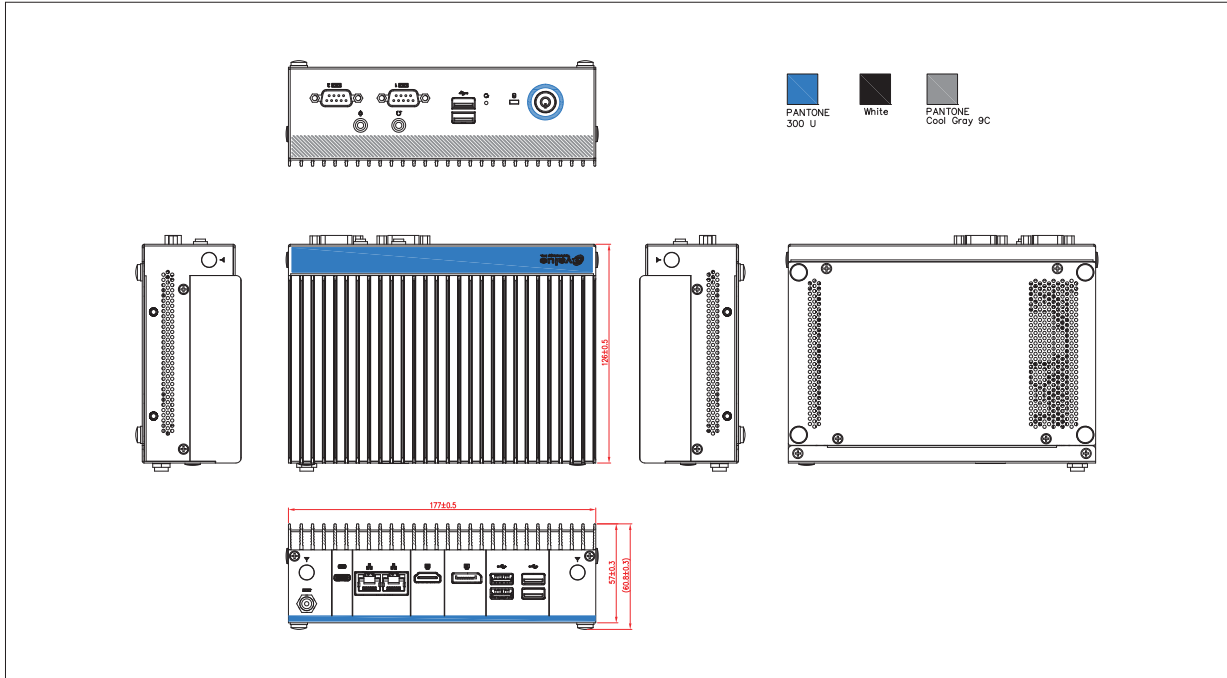
### Mechanical & Environmental

<b>Operating Temp.</b>	With extended temperature peripherals: 0°C ~ 50°C (32°F ~ 122°F) with 0.5m/s air flow With 2.5" hard drive: 0°C ~ 40°C (32°F ~ 113°F) with 0.5m/s air flow
<b>Storage Temp.</b>	-30 ~ 70°C (-22°F ~ 158°F)
<b>Operating Humidity</b>	40°C @ 95% Relative Humidity, Non-condensing
<b>Dimension (W x L x H)</b>	177x 126 x 57mm (6.97" x 4.94" x 2.24")
<b>Vibration Test</b>	With SSD : 1.5Grms, IEC 60068-2-64, Random, 5 ~ 500Hz, 1hr/axis
<b>Shock Test</b>	With SSD : 10 Grms, IEC 60068-2-27, Half Sine, 11ms
<b>Drop Test</b>	ISTA 2A, IEC-60068-2-32 Test : Ed, 1 Corner, 3 Edges, 6 Faces
<b>Mounting Kit</b>	Wall Mount Kit

# EPC-RPU

13th Gen Intel® Raptor Lake-P U Series  
Fanless Compact System

## Mechanical Drawing



## Ordering Information

P/N	Processor	Memory	Adapter	Mounting Kit	I/O Ports (COM/USB/LAN)	Display Output	Power Input	Working Temp.	OS Support
EPC-RPU-I5E-A1-1R	Intel® Core™ i5-1335UE Processor	8GB DDR5	12V/10A	Wall mount	2/6(7)/2	HDMI/DP/Type C (Support DP)	+12~24V DC in	0°C ~ 50°C	Windows 10/11 Linux
EPC-RPU-I3E-A1-1R	Intel® Core™ i3-1315UE Processor	8GB DDR5	12V/10A	Wall mount	2/6(7)/2	HDMI/DP/Type C (Support DP)	+12~24V DC in	0°C ~ 50°C	Windows 10/11 Linux

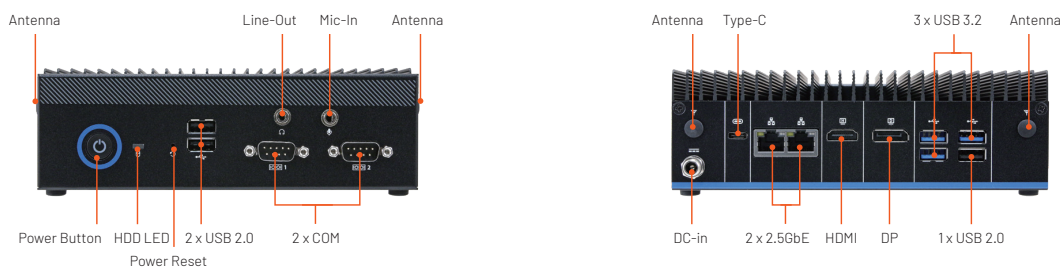
## Packing List

Item	Quantity
EPC-RPU Compact System	1
AC/DC Adapter 12V/10A	1
DP to VGA Adapter Cable Type	1
Wall Mount	2
Screw Kit for Peripherals	1

## Optional Items

Item	P/N
Power Cord 3P (F)-3P (M) 183cm, USA Type	E1702031833R
Power Cord SL-6+SL-3 183cm, EU Type	E1702031000R
Power Cord 3P (F)-3P (M) 183cm, Japan w/PSE Type	E1702031834R
Power Cord QP-026+SL-3 183cm, UK Type	E170P060380R
Power Cord 3P (F)-3P (M) 183cm, Australia Type	E1702031831R

## I/O Overview



## Assured Systems

Assured Systems is a leading technology company with over 1,500 regular clients in 80 countries, deploying over 85,000 systems to a diverse customer base in 12 years of business. We offer high-quality and innovative rugged computing, display, networking and data collection solutions to the embedded, industrial, and digital-out-of-home market sectors.

### US

[sales@assured-systems.com](mailto:sales@assured-systems.com)

Sales: +1 347 719 4508  
Support: +1 347 719 4508

1309 Coffeen Ave  
Ste 1200  
Sheridan  
WY 82801  
USA

### EMEA

[sales@assured-systems.com](mailto:sales@assured-systems.com)

Sales: +44 (0)1785 879 050  
Support: +44 (0)1785 879 050

Unit A5 Douglas Park  
Stone Business Park  
Stone  
ST15 0YJ  
United Kingdom

VAT Number: 120 9546 28  
Business Registration Number: 07699660