

# M116TG

## 11.6" Windows Rugged Tablet with Intel® Core™ i5-1135G7



### KEY FEATURES

- 11.6" 1920 x 1080, 850 nits IPS LED Panel with direct optical bonding
- Intel® Core™ i5-1135G7 Tiger Lake processor
- IP65 waterproof and dustproof, MIL-STD-810H shock, vibration and drop resistance
- Sunlight readable with antiglare solution
- Hot-swappable battery design
- USB Type-C port support power delivery 20V In



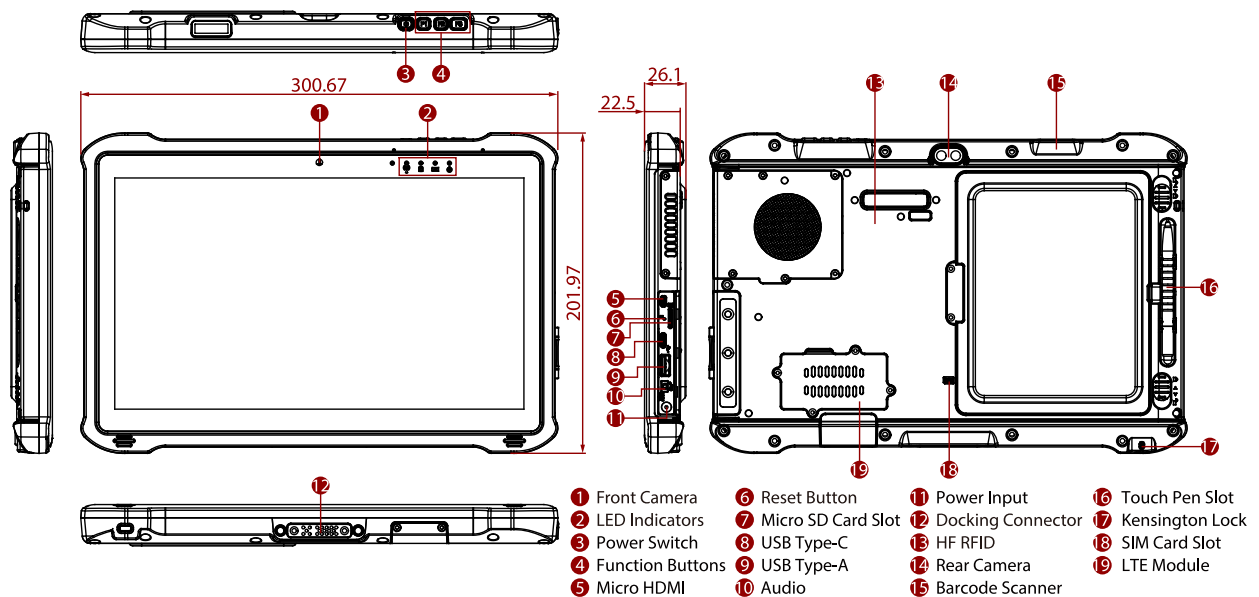
### SPECIFICATIONS

Display			
<b>Bonding</b>	Optical Bonding for Sunlight Viewability	<b>Resolution</b>	1920x1080
<b>Size</b>	11.6 inches	<b>Contrast Ratio</b>	1000:1
<b>Panel Brightness</b>	850.0 nits	<b>View Angles</b>	85,85,85,85
<b>Type</b>	Projected Capacitive Multi Touch	<b>Viewability</b>	Anti-Glare touch treatment
<b>Touch Mode</b>	Support Hand/Rain, Stylus, Glove Mode		
System Specification			
<b>Processor</b>	Intel Core i5-1135G7 2.4GHz (up to 4.2GHz)	<b>Memory</b>	8GB DDR4 SDRAM 16GB DDR4 SDRAM (Optional) 32GB DDR4 SDRAM (Optional)
<b>Storage</b>	256GB M.2 NVMe SSD Additional storage available with micro SDXC card slot 512GB M.2 NVMe SSD (Optional) 1TB M.2 NVMe SSD (Optional) 2TB M.2 NVMe SSD (Optional)	<b>Security</b>	Trusted Platform Module (TPM) 2.0 Kensington Lock
<b>Operating System</b>	Windows 10 IoT Enterprise LTSC (64 bit) Windows 11 IoT Enterprise SAC (64 bit) (Optional)	<b>WLAN</b>	Support
<b>BT</b>	Support	<b>WWAN</b>	4G LTE (Optional) 5G (Optional)
<b>GNSS</b>	GPS, GLONASS	<b>RFID</b>	HF RFID reader 13.56 MHz (Optional)
<b>Sensors</b>	Light sensor/ G-sensor / Gyro		
Camera			
<b>Front Camera</b>	2MP Front Camera	<b>Rear Camera</b>	8MP Rear Camera with auto-focus and LED light
Mechanical			
<b>Dimension</b>	300.67 x 201.97 x 22.5 mm	<b>Weight</b>	1.5 kg (3.3 lbs) with standard battery
<b>Cooling System</b>	Fan design		
IO Ports			
<b>USB Port</b>	1 x USB 3.0 (Type A), 1 x USB 3.0 (Type-C support Power Delivery 20V In)	<b>SD Card Slot</b>	1 x Micro SDXC slot
<b>SIM Card Slot</b>	1 x Micro SIM card slot	<b>Video</b>	1 x Micro HDMI (Optional)
<b>Audio</b>	1 x Audio combo 3.5mm audio combo jack Dual Digital Mic With Noise Cancellation	<b>LAN</b>	1 x RJ45-10/100/1000 GigaLAN port (Optional)
<b>Indicator</b>	4x LED Indicator for Power, Battery, HDD, RF	<b>Docking Connector</b>	1 x 19-pin docking connector

status

Environment			
<b>Operating Humidity</b>	10% to 90% RH, non-condensing	<b>Operating Temperature</b>	-20°C to 60°C
<b>Storage Temperature</b>	-30°C to 70°C (-22°F to 158°F)	<b>Shock</b>	MIL-STD-810H Method 516.8 Procedure I
<b>Vibration</b>	MIL-STD-810H Method 514.8 Procedure I	<b>IP rating</b>	IP65
<b>Drop</b>	MIL-STD-810H Method 516.8, 4 ft	<b>EMC</b>	MIL-STD-461G CE101, CE102, RE101, RE102, CS118 (Default) MIL-STD-461G CS101, CS114, CS115, CS116, RS101, RS103 (Optional)
Certification			
<b>Certification</b>	CE, FCC		
Security Function			
<b>SOTI MobiControl</b>	SOTI MobiControl Compliance	<b>Kensington Lock</b>	Kensington Lock Support
Control			
<b>Button</b>	1 x Power, 3 x function keys		
Power			
<b>Battery</b>	Hot-swappable 11.55V, typ. 4558 mAh Li-Polymer Battery (3S2P)	<b>Battery Operating Time</b>	Standard. Battery: 8 hours
<b>Power Rating</b>	19V DC	<b>Adapter</b>	100-240V, 50-60Hz / 19V DC
Accessory			
<b>Accessory</b>	Adapter and Power Cord Capacitive Stylus Standard Battery	<b>Optional Accessory</b>	Desk Dock (Optional) Vehicle Dock (Optional) Vehicle Cradle (Optional) Vehicle Charger (Optional) High Capacity Battery (Optional) Hand Strap (Optional) Shoulder Strap (Optional) Carry Bag (Optional)
Barcode Scanner			
<b>Barcode Scanner</b>	1D/2D barcode reader (Optional)		

**DIMENSIONS** UNIT:MM



**NOTE**

1. This is a simplified drawing and some components are not marked in detail.
2. Please contact our sales representative if you need further product information.
3. All specifications are subject to change without prior notice.
4. The product shown in this datasheet is a standard model. For diagrams that contain customized or optional I/O, please contact the Winmate Sales Team for more information.

## Assured Systems

Assured Systems is a leading technology company with over 1,500 regular clients in 80 countries, deploying over 85,000 systems to a diverse customer base in 12 years of business. We offer high-quality and innovative rugged computing, display, networking and data collection solutions to the embedded, industrial, and digital-out-of-home market sectors.

### US

[sales@assured-systems.com](mailto:sales@assured-systems.com)

Sales: +1 347 719 4508  
Support: +1 347 719 4508

1309 Coffeen Ave  
Ste 1200  
Sheridan  
WY 82801  
USA

### EMEA

[sales@assured-systems.com](mailto:sales@assured-systems.com)

Sales: +44 (0)1785 879 050  
Support: +44 (0)1785 879 050

Unit A5 Douglas Park  
Stone Business Park  
Stone  
ST15 0YJ  
United Kingdom

VAT Number: 120 9546 28  
Business Registration Number: 07699660