



Industrial Solutions Partner!

SSF/SSH3565-I

35.6" Resizing LCD, 1000 nits LED backlight, 1900 x 2160 Square aspect ratio 8:9

The **SSF/SSH3565-I** is a 35.6 inch color TFT-LCD display with special aspect ratio 8:9 and wide resolution 1900 x 2160. It is Litemax's Spanpixel series product which designed for high brightness 1000 nits with power efficiency LED backlight. It provides LCD panel with specific aspect ratios and sunlight readable for digital signage, public transportation, exhibition hall, department store, and vending machine.

Key Features

- Resizing LCD
- Square Screen (8 : 9)
- High Brightness 1000 nits
- Sunlight Readable
- LED Backlight
- Slim Bezel
- BL MTBF: 100,000 hours



Specifications

Model Name	SSF/SSH3565-I
Description	35.6" Resizing LCD, 1000 nits LED backlight, 1900x2160
Screen Size	35.6"
Display Area (mm)	598.5(H) x 680.4(V)
Brightness	1000 cd/m ²
Resolution	1900x2160
Aspect Ratio	8 : 9
Contrast Ratio	7000 : 1
Pixel Pitch (mm)	0.315(H) x 0.315(V)
Pixel Per Inch (PPI)	80
Viewing Angle	178°(H),178°(V)
Color Saturation (NTSC)	83%
Display Colors	1.07G
Response Time (Typical)	9.5ms
Panel Interface	V-by-One
Video Interface	HDMIx2, DP
Input Power	DC24V
Power Consumption	70W (with AD board 73W)
OSD Key	5 Keys (Power Switch, Menu, +, Exit, -)
OSD Control	Brightness, Color, Contrast, Auto Turing, H/V Position...etc
Dimensions (mm)	626.5 x 707.9 x 25
Bezel Size(U/B/L/R)	12.4/15.1/14/14 mm
Weight (Net)	7.78kg
Operating Temperature	0 °C ~ 50 °C
Storage Temperature	-20 °C ~ 60 °C

SSF= Panel + LED Driving Board

SSH= Panel + LED Driving Board + AD Control Board

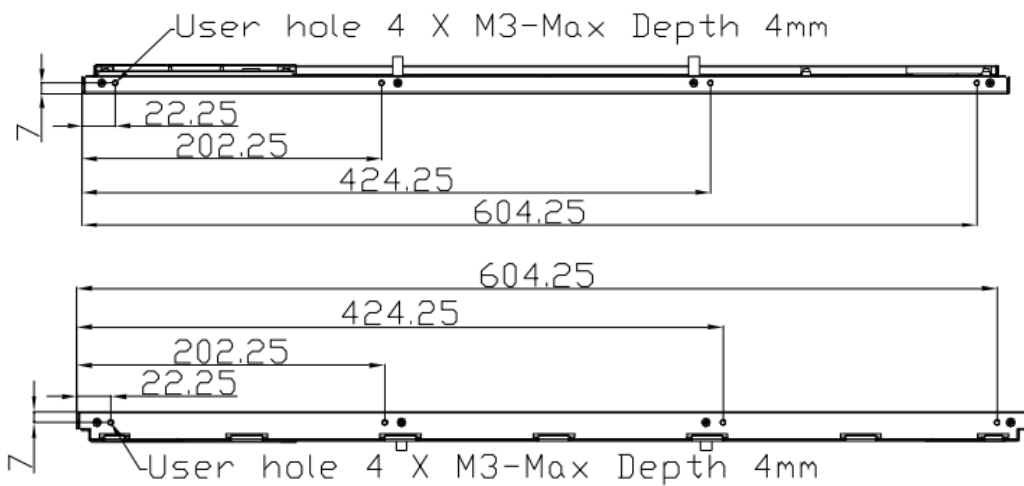
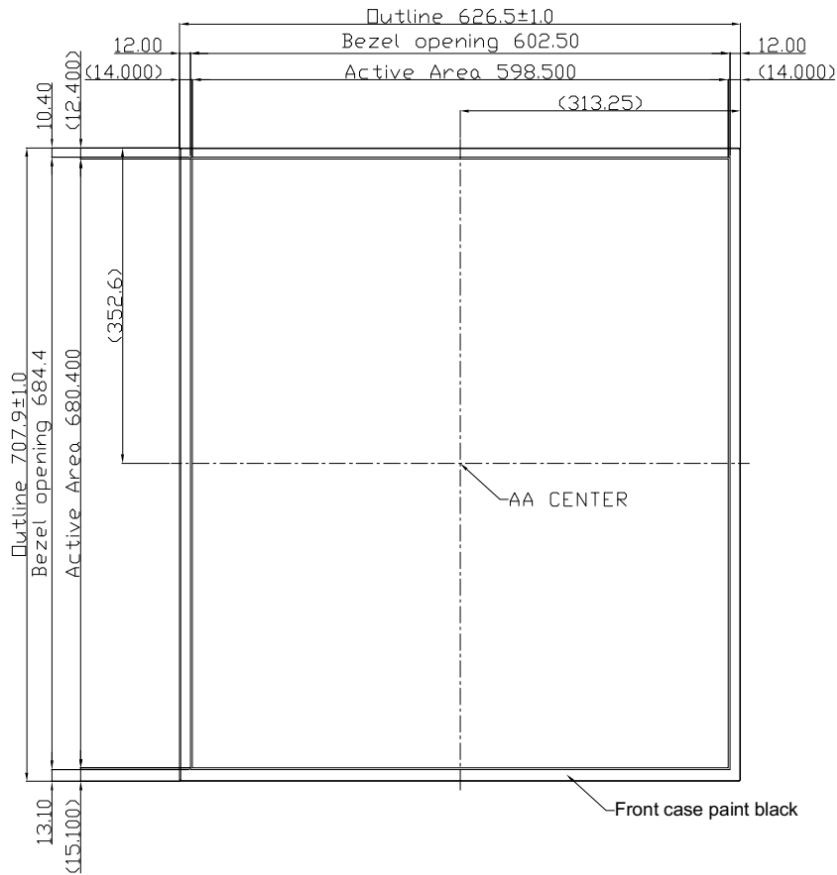
Specifications are subject to change without notice.
All brands or product names are trademarks or registered trademarks of their respective companies.

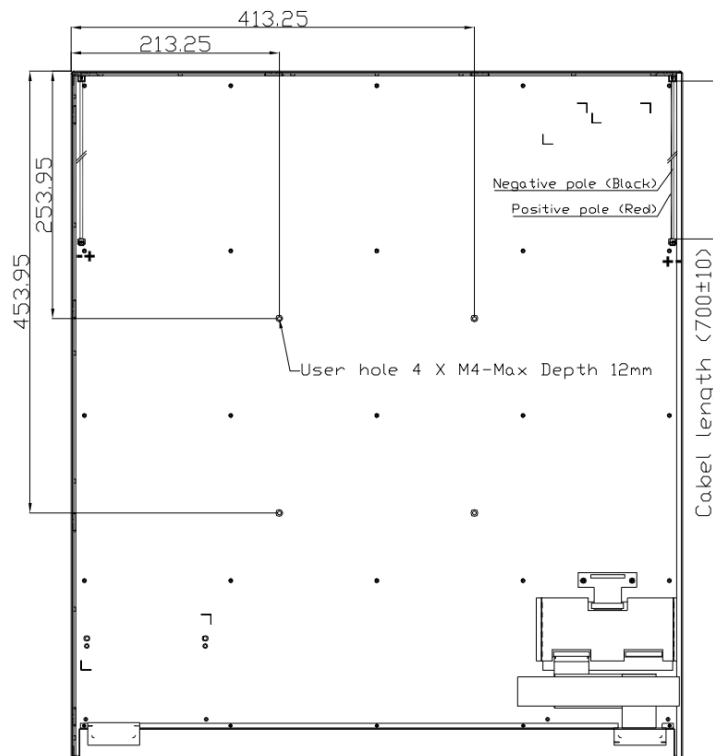
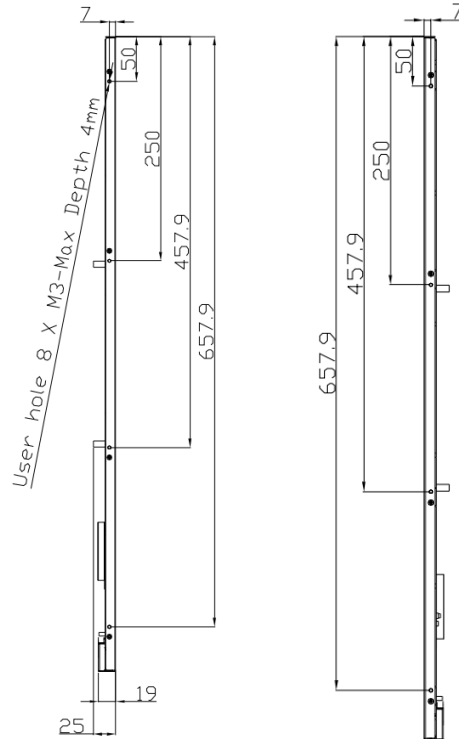


Mechanical Drawing

Outline Dimensions

Unit: mm







Industrial Solutions Partner!

Note :

1. Tolerance is ± 0.5 mm unless noted.
- 2." ()" marks the reference dimension.
3. Front Case is black paint

Ordering Information

Part Number	Description
SSF3565-INU-A11	35.6",1000nits,1900*2160,right,Inn,LID35C,3in1,V1
SSH3565-INU-S11	35.6",1000nits,1900*2160,right,Inn,LID35C,AD68415HHP,DC24V,3in1,V1

Optional Accessories

Part Number	Description
840613081200	ADAPTER,24V,3.75A,90W,G99-AAL090M-N048, POWER DIN 4P,P
810618301010	CABLE,POWER.AC,1830mm USA type
810618301090	CABLE,POWER.AC,1830mm Europe type
810618301050	CABLE,POWER.AC,1830mm UK type
810618301170	CABLE,POWER.AC,1830mm Australia type
810618301031	CABLE,POWER.AC,1830mm Japan type

By Customer Request

Glass	Tempered glass, AR coating.....
-------	---------------------------------

Assured Systems

Assured Systems is a leading technology company with over 1,500 regular clients in 80 countries, deploying over 85,000 systems to a diverse customer base in 12 years of business. We offer high-quality and innovative rugged computing, display, networking and data collection solutions to the embedded, industrial, and digital-out-of-home market sectors.

US

sales@assured-systems.com

Sales: +1 347 719 4508
Support: +1 347 719 4508

1309 Coffeen Ave
Ste 1200
Sheridan
WY 82801
USA

EMEA

sales@assured-systems.com

Sales: +44 (0)1785 879 050
Support: +44 (0)1785 879 050

Unit A5 Douglas Park
Stone Business Park
Stone
ST15 0YJ
United Kingdom

VAT Number: 120 9546 28
Business Registration Number: 07699660