



Industrial Solutions Partner!

SCD2365-Y

23.6" TFT LCD, LED Backlight 1000nits, 1920x1920, Circle Display

The SCD2365-Y is a 23.6 inch color TFT-LCD display with high brightness 1000 nits, special aspect ratio 1:1 and wide resolution 1920 x 1920. It is Litemax's Circlepixel series product which designed for high brightness with power efficiency LED backlight. It provides LCD panel with specific aspect ratios and sunlight readable for digital signage, public transportation, exhibition hall, department store, and vending machine.

Key Features

- 23.6" Circle Display
- High Brightness 1000nits
- Sunlight Readable
- Aspect ratio 1:1
- LED Backlight
- Programmable Pattern RGB Circle Lighting
- Low Power Consumption
- BL MTBF: 100,000 hours



Specifications

Model Name	SCD2365-Y
Description	23.6" TFT LCD, 1000nits LED Backlight, 1920x1920, Circle Display
Screen Size	23.6"
Display Area (mm)	596.16(H) x 596.16(V)
Brightness	1000 cd/m ²
Resolution	1920 x 1920
Aspect Ratio	1 : 1
Contrast Ratio	600 : 1
Pixel Pitch (mm)	0.3105(H) x 0.3105(V)
Pixel Pre Inch (PPI)	82
Viewing Angle	178°(H),178°(V)
Color Saturation (NTSC)	77%
Display Colors	16.7M
Response Time (Typical)	8ms
Panel Interface	LVDS
AD Board Input Interface	DVI-D, HDMI, DP
Input Power	AC 100~240V
Power Consumption	61W
OSD Key	5 Keys (Power Switch, Menu, +, Exit, -)
OSD Control	Brightness, Color, Contrast, Auto Turing, H/V Position...etc
Dimensions (mm)	890 x 890 x 77.2
Weight (Net)	24kg
Mounting	400x200, 400x400
Operating Temperature	0 °C ~ 50 °C
Storage Temperature	-20 °C ~ 60 °C

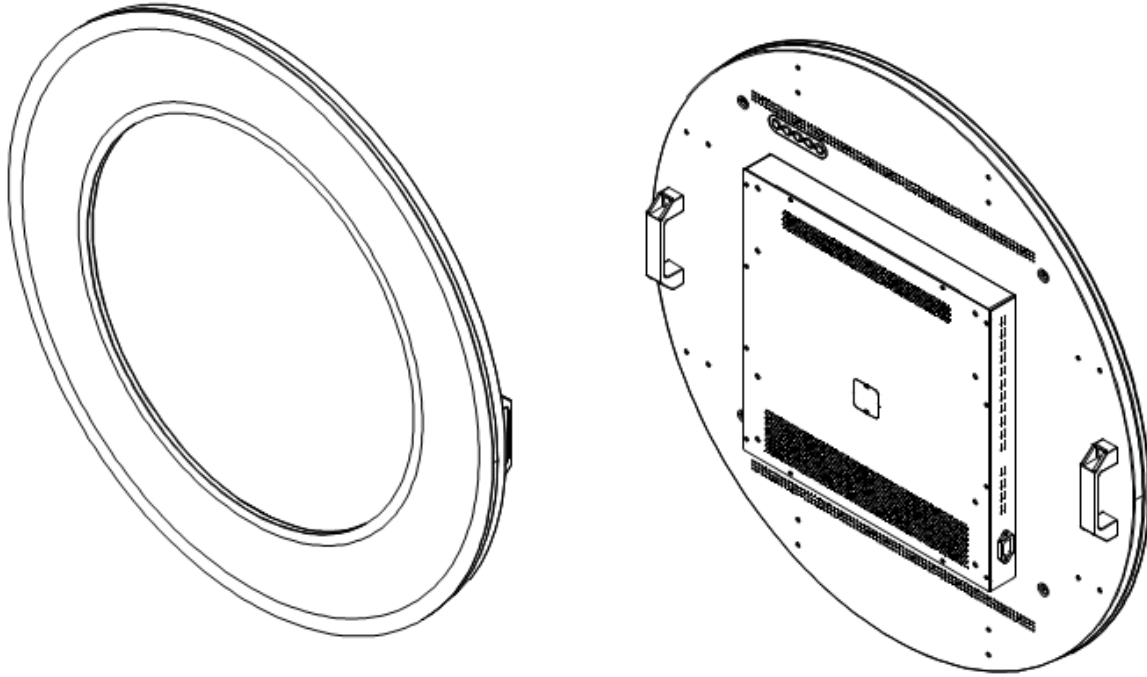
SCD = Panel + LED Driving Board + AD Control Board + Lighting + Chassis

Specifications are subject to change without notice.
All brands or product names are trademarks or registered trademarks of their respective companies.



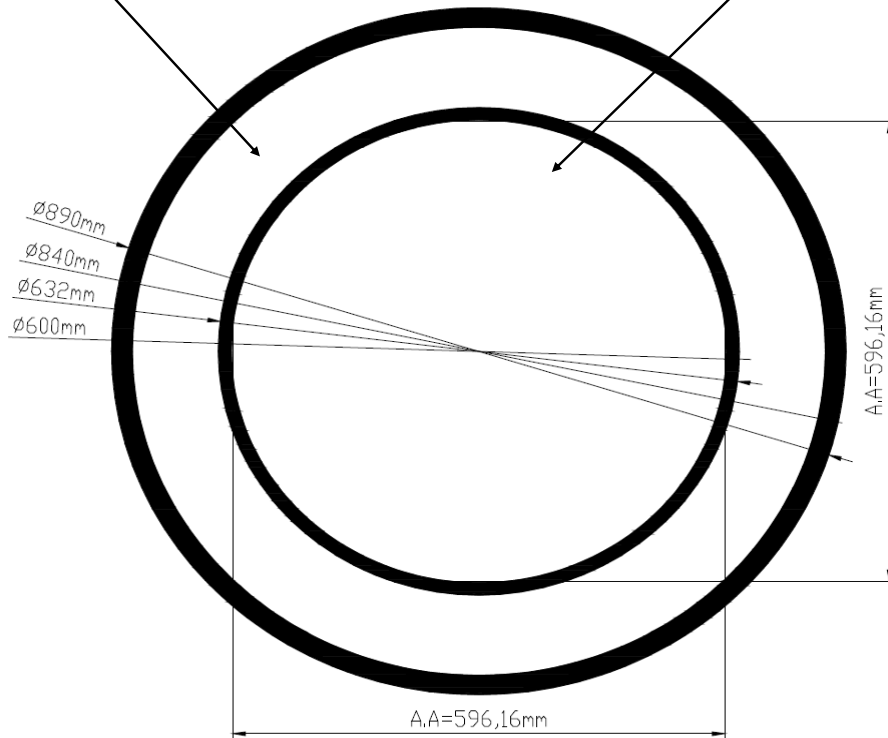
Outline Dimensions

Unit:mm



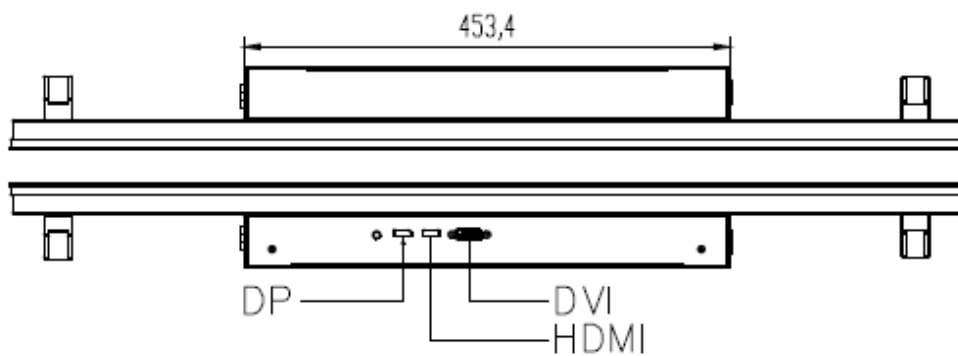
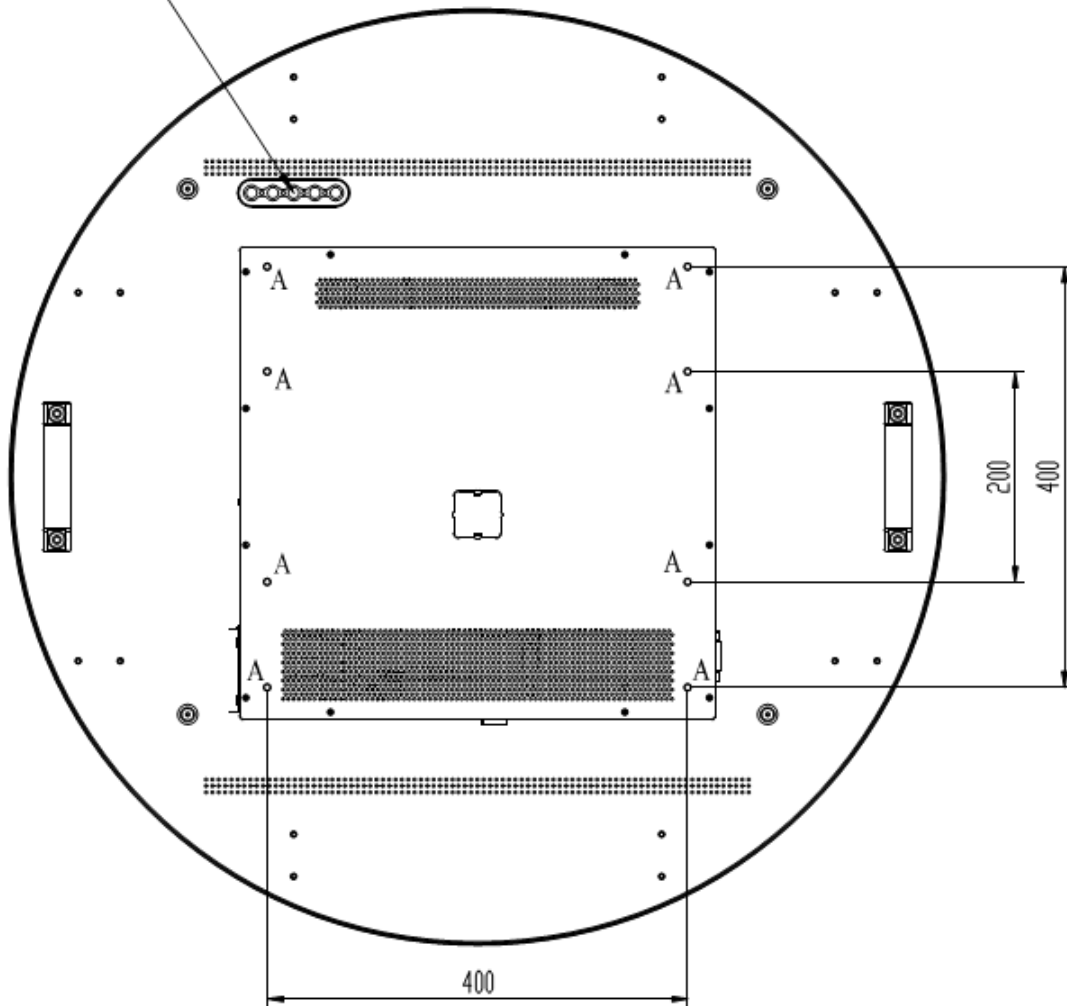
**Circle
Lighting**

LCD Display



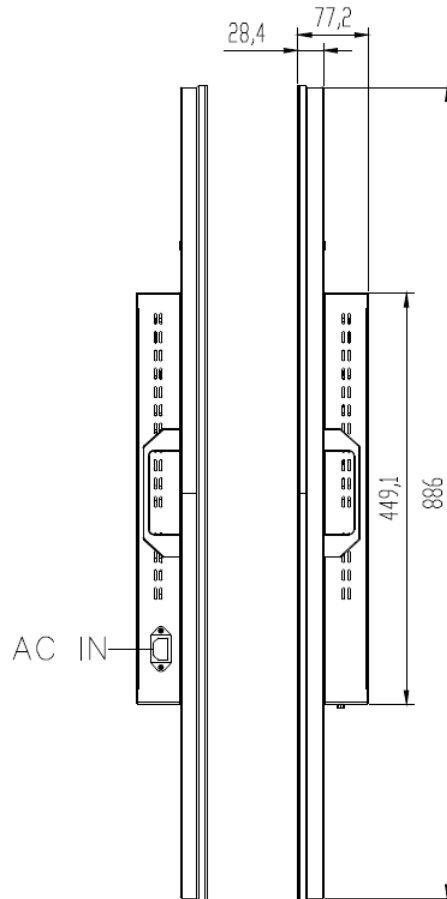


5-KEY MEMBRANE





Industrial Solutions Partner!



Note:
Unit:mm
O.D : Outline Dimension
A.A : LCD Active Area
A:8-M6 USER HOLE _MAX. DEPTH=20mm



Industrial Solutions Partner!

Ordering Information

Part Number	Description
SCD2365-YNB-M01	23.6",1000nits,1920x1920,LD33C,AD9131DHP,O/B, circle lighting,AC100~240V,V1

Optional Accessories

Part Number	Description
810618301010	CABLE.POWER.AC.1830mm USA type
810618301090	CABLE,POWER,AC,1830mm Europe type
810618301050	CABLE.POWER.AC.1830mm UK type
810618301170	CABLE.POWER,AC,1830mm Australia type
810618301031	CABLE.POWER.AC.1830mm Japan type

Customer request

Touch	PCT (Multi-Touch)
Glass	Tempered glass, AR coating.....

Assured Systems

Assured Systems is a leading technology company with over 1,500 regular clients in 80 countries, deploying over 85,000 systems to a diverse customer base in 12 years of business. We offer high-quality and innovative rugged computing, display, networking and data collection solutions to the embedded, industrial, and digital-out-of-home market sectors.

US

sales@assured-systems.com

Sales: +1 347 719 4508
Support: +1 347 719 4508

1309 Coffeen Ave
Ste 1200
Sheridan
WY 82801
USA

EMEA

sales@assured-systems.com

Sales: +44 (0)1785 879 050
Support: +44 (0)1785 879 050

Unit A5 Douglas Park
Stone Business Park
Stone
ST15 0YJ
United Kingdom

VAT Number: 120 9546 28
Business Registration Number: 07699660