



PROLITE TW1023ASC-B1P



**10.1" PCAP 10pt touch screen with Android and Power over Ethernet Technology**

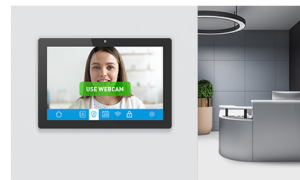
The ProLite TW1023ASC-B1P touch panel PC is a perfect choice for high-use environments such as retail, interactive POS, information desks or hospitality applications.

The Power over Ethernet technology (POE) allows to provide both data connection and power by a single cable, simplifying all installations. This monitor can operate in landscape, portrait or face-up orientation. Together with the built-in camera and speakers it offers limitless, interactive installation possibilities.



**Connectivity**

The RJ45 (LAN) connector supporting Power over Ethernet technology (POE) allows to provide both data connection and power by a single cable, which simplifies installation in areas where many cables would interfere with the environment.



**Built-in webcam & speakers**

Making the screen a perfect solution for semi or fully automated reception solutions allowing businesses to track and manage visitor traffic at the front desk lobby without compromising on the safety and security of your staff, visitors and company assets.

## 01 DISPLAY CHARACTERISTICS

Design	Edge to edge glass
Diagonal	10.1", 25.5cm
Panel	IPS Panel Technology, LED
Native resolution	1280 x 800 (1 megapixel HD)
Aspect ratio	16:10
Panel brightness	450 cd/m <sup>2</sup>
Brightness	385 cd/m <sup>2</sup> with touch
Light transmittance	85%
Static contrast	1000:1 with touch
Response time (GTG)	25ms
Viewing zone	horizontal/vertical: 160°/160°, right/left: 80°/80°, up/down: 80°/80°
Colour support	16.7mIn 8bit
Viewable area W x H	216.6 x 135.4mm, 8.5 x 5.3"
Pixel pitch	0.1692mm
Bezel colour and finish	black, matte

## 02 TOUCH

Touch technology	projective capacitive
Touch points	10
Touch method	finger, glove (latex), capacitive stylus
Touch interface	USB

## 03 INTERFACES / CONNECTORS / CONTROLS

Digital signal output	HDMI x1 (mini HDMI, 1280x720 @60Hz)
Audio output	Speakers 2 x 1.5W
USB ports	x2 (2.0, 1 x MICRO with OTG)
RJ45 (LAN)	x1 (PoE)

## 04 FEATURES

Integrated software	Android 8.1 without GMS
CPU	Rockchip RK3288, quad-core Cortex-A17 up to 1.8GHz
GPU	Quad-core cortex A17
Storage	16GB eMMC
Memory	2GB DDR3
WiFi	IEEE802.11b/g/n
Bluetooth	4.0
Extra	auto-rotation, webcam (2 megapixel), microphone, SD card slot, anti-fingerprint coating
Max. non-stop operating time	24/7
Glass thickness	1.25mm
Glass hardness	7H

## 05 GENERAL

Applications	install new application / manage application, lock application, calculator, calendar, camera, chrome, alarm / clock / timer / stopwatch, email, manage files and folders, manage images / video / audio, organize albums, manage power on/off time, play audio files, search engine, system preferences, sound recorder, play video files
--------------	---

**06 MECHANICAL**

Orientation	landscape, portrait, face-up
VESA mounting	75 x 75mm

**07 ACCESSORIES INCLUDED**

Guides	quick start guide, safety guide
Other	AC adapter
Cable cover	yes

**08 POWER MANAGEMENT**

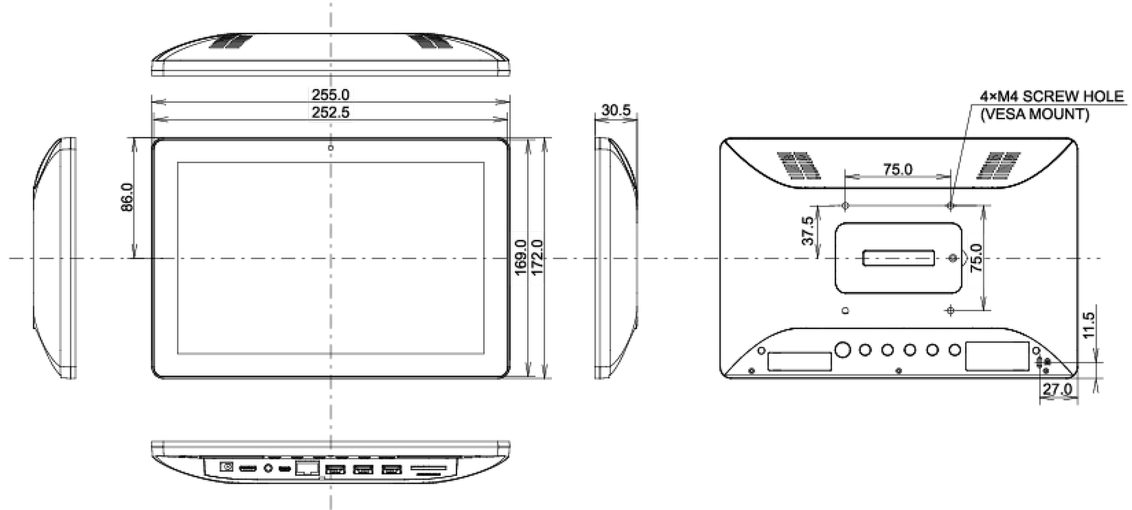
Power supply unit	external
Power supply	DC 12 V
Power usage	7W typical

**09 SUSTAINABILITY**

Regulations	CE, RoHS support, ErP, WEEE, REACH
REACH SVHC	above 0.1%: Lead

**10 DIMENSIONS / WEIGHT**

Product dimensions W x H x D	255 x 172 x 30.5mm
Box dimensions W x H x D	398 x 223 x 68mm
Weight (without box)	0.8kg
Weight (with box)	1.36kg
EAN code	4948570117116



All trademarks and registered trademarks acknowledged. E & O E. Specification subject to change without notice. All LCD's comply with ISO-9241-307:2008 in connection with pixel defects.

© IIYAMA CORPORATION. ALL RIGHTS RESERVED

## Assured Systems

Assured Systems is a leading technology company with over 1,500 regular clients in 80 countries, deploying over 85,000 systems to a diverse customer base in 12 years of business. We offer high-quality and innovative rugged computing, display, networking and data collection solutions to the embedded, industrial, and digital-out-of-home market sectors.

### US

[sales@assured-systems.com](mailto:sales@assured-systems.com)

Sales: +1 347 719 4508  
Support: +1 347 719 4508

1309 Coffeen Ave  
Ste 1200  
Sheridan  
WY 82801  
USA

### EMEA

[sales@assured-systems.com](mailto:sales@assured-systems.com)

Sales: +44 (0)1785 879 050  
Support: +44 (0)1785 879 050

Unit A5 Douglas Park  
Stone Business Park  
Stone  
ST15 0YJ  
United Kingdom

VAT Number: 120 9546 28  
Business Registration Number: 07699660