



Industrial Solutions Partner!

**SSF4788-B / SSH4788-B V1**

**47.8" Resizing LCD, 1600 nits LED backlight, 1920 x 178 ultra-wide aspect ratio 16:1.5**

The SSF/SSH4788-B is a 47.8 inch color TFT-LCD display with special aspect ratio 16:1.5 and wide resolution 1920 x 178. It is LiteMAX's Spanpixel series product which designed for high brightness 1600 nits with power efficiency LED backlight. It provides LCD panel with specific aspect ratios and sunlight readable for digital signage, public transportation, exhibition hall, department store, and vending machine.

**Key Features**

- Resizing LCD
- Ultra-Wide Screen (16 : 1.5)
- High Brightness 1600 nits
- Sunlight Readable
- LED Backlight
- Slim Bezel
- BL MTBF: 100,000 hours



**Specifications**

Model Name	SSF4788-B / SSH4788-B V1
Description	47.8" Resizing LCD, 1600 nits LED backlight, 1920x178
Screen Size	47.8"
Display Area (mm)	1209.6(H) x 112.1(V)
Brightness	1600 cd/m <sup>2</sup>
Resolution	1920x178
Aspect Ratio	16 : 1.5
Contrast Ratio	1700 : 1
Pixel Pitch (mm)	0.63(H) x 0.63(V)
Pixel Per Inch (PPI)	40
Viewing Angle	178°(H),178°(V)
Color Saturation (NTSC)	81%
Display Colors	16.7M
Response Time (Typical)	8ms
Panel Interface	LVDS
AD Board Input Interface	VGA, DVI-D, HDMI
AD Board Input Power	DC12V
Power Consumption	37W, (42W with AD Board)
OSD Key	4 Keys (Power Switch, Menu, +, -)
OSD Control	Brightness, Color, Contrast, Auto Turing, H/V Position...etc
Dimensions (mm)	1244.6x 151.5 x 23.9
Bezel Size(U/B/L/R)	17.7/17.7/15.5/15.5 mm
Weight (Net)	4 kg
Operating Temperature	0 °C ~ 50 °C
Storage Temperature	-20 °C ~ 60 °C

SSF= Panel+ LED Driving Board

SSH= Panel+ LED Driving Board + AD Control Board

Specifications are subject to change without notice.  
All brands or product names are trademarks or registered trademarks of their respective companies.

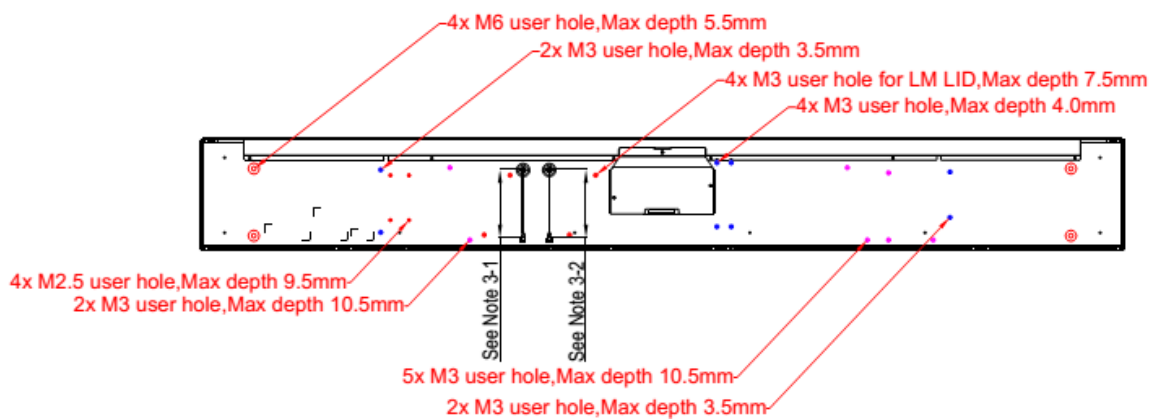
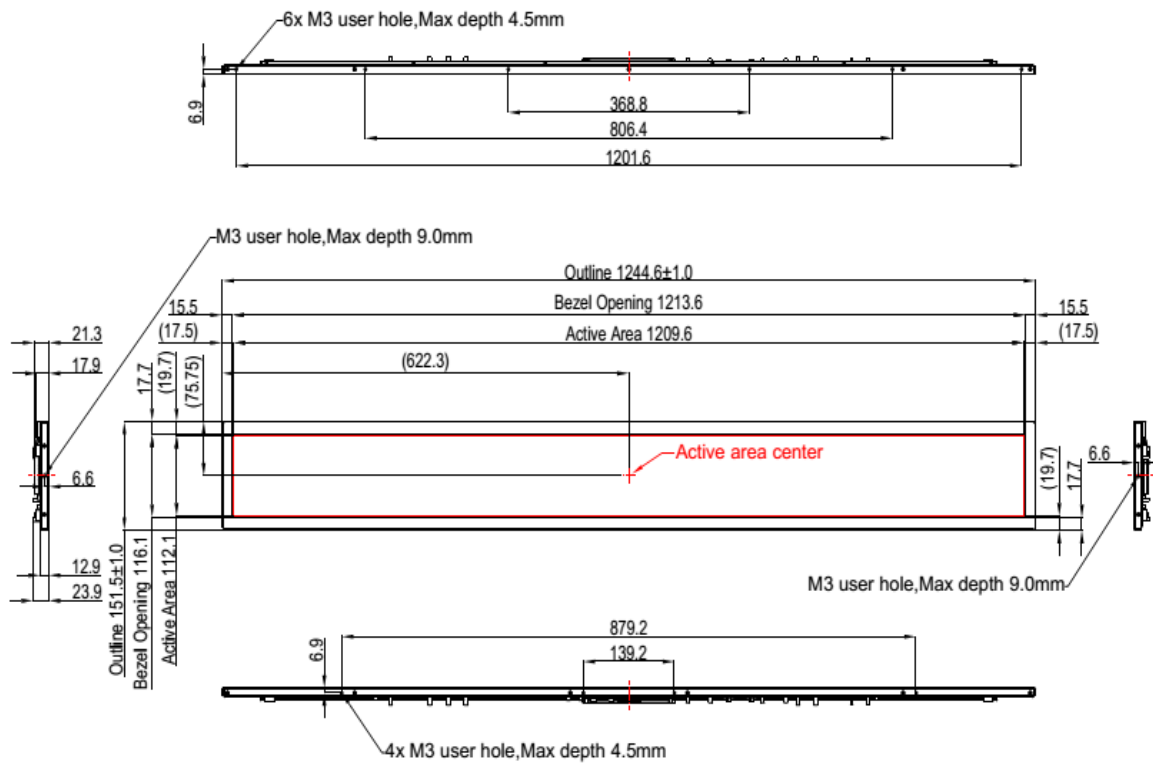


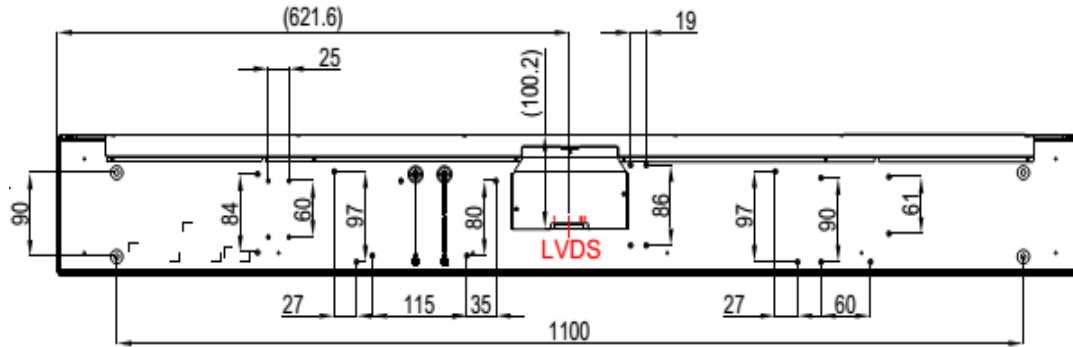
Industrial Solutions Partner!

**Mechanical Drawing**

Outline Dimensions

Unit: mm





**Note:**

1. Resolution: 1920x178
2. Connector : IS050-C51B-C39-S (UJU)
3. LED cable length:
  - 3-1 680±40mm
  - 3-2 330±40mm
4. Tolerance is ±1.0mm unless noted
5. "( )" marks the reference dimension



Industrial Solutions Partner!

**Ordering Information**

Part Number	Description
<b>SSF4788-BNN-A01</b>	47.8",1600nits,1920*178,LID47A,4in1,V01
<b>SSH4788-BNN-G01</b>	47.8",1600nits,1920*178,LID47A.AD2662GDHM,DC12V,4in1,V01

**Optional Accessories**

Part Number	Description
<b>840612051210</b>	ADAPTER,AC/DC,12V/5.4A,65W,Atech OEM A065112-TDx.4P SLIDING CAP,P
<b>810618301010</b>	CABLE.POWER.AC.1830mm USA type
<b>810618301090</b>	CABLE,POWER,AC,1830mm Europe type
<b>810618301050</b>	CABLE.POWER.AC.1830mm UK type
<b>810618301170</b>	CABLE.POWER,AC,1830mm Australia type
<b>810618301031</b>	CABLE.POWER.AC.1830mm Japan type

**By Customer Request**

<b>Glass</b>	Tempered glass, AR coating.....
--------------	---------------------------------

## Assured Systems

Assured Systems is a leading technology company with over 1,500 regular clients in 80 countries, deploying over 85,000 systems to a diverse customer base in 12 years of business. We offer high-quality and innovative rugged computing, display, networking and data collection solutions to the embedded, industrial, and digital-out-of-home market sectors.

### US

[sales@assured-systems.com](mailto:sales@assured-systems.com)

Sales: +1 347 719 4508  
Support: +1 347 719 4508

1309 Coffeen Ave  
Ste 1200  
Sheridan  
WY 82801  
USA

### EMEA

[sales@assured-systems.com](mailto:sales@assured-systems.com)

Sales: +44 (0)1785 879 050  
Support: +44 (0)1785 879 050

Unit A5 Douglas Park  
Stone Business Park  
Stone  
ST15 0YJ  
United Kingdom

VAT Number: 120 9546 28  
Business Registration Number: 07699660