



Industrial Solutions Partner!

SSF/SSH1725-B

17.2" LCD, 1000nits, LED backlight, 1366x510 ultra-wide aspect ratio 16:6

The **SSF/SSH1725-B** is a 17.2 inch color TFT-LCD display with special aspect ratio 16:6 and wide resolution 1366 x 510. It is LiteMAX's Spanpixel series product which designed for high brightness with power efficiency LED backlight. It provides LCD panel with specific aspect ratios and sunlight readable for digital signage, public transportation, exhibition hall, department store, and vending machine.

Key Features

- Resizing LCD
- Ultra Wide Screen 16:6
- LED Backlight
- Brightness 1000nits
- Low Power Consumption
- BL MTBF: 100,000 hours



Specifications

Model Name	SSF/SSH1725-B
Description	17.2" TFT LCD, 1000nits LED backlight , 1366x510
Screen Size	17.2"
Display Area (mm)	409.8(H) x 153(V)
Brightness	1000 cd/m ²
Resolution	1366x510
Aspect Ratio	16 : 6
Contrast Ratio	850 : 1
Pixel Pitch (mm)	0.300(H) x 0.300(V)
Pixel Per Inch (PPI)	84
Viewing Angle	178°(H),178°(V)
Color Saturation (NTSC)	79%
Display Colors	16.7M
Response Time (Typical)	16ms
Panel Interface	LVDS
AD Board Input Interface	DVI-I, HDMI, DP
Input Power	DC12V
Power Consumption	16.7W, 17.4W (with AD board)
OSD Key	4 Keys (Power Switch, Menu, +, -)
OSD Control	Brightness, Color, Contrast, Auto Turing, H/V Position...etc
Dimensions (mm)	430.3x178.4x14
Bezel Size(U/B/L/R)	12.7/12.7/10.25/10.25 mm
Weight (Net)	1Kg
Operating Temperature	0 °C ~ 50 °C
Storage Temperature	-20 °C ~ 60 °C

SSF= Panel + LED Driving Board

SSH= Panel + LED Driving Board + AD Control Board

Specifications are subject to change without notice.
All brands or product names are trademarks or registered trademarks of their respective companies.

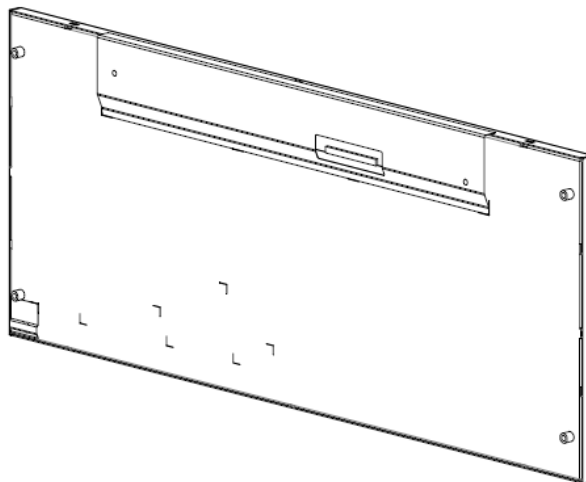
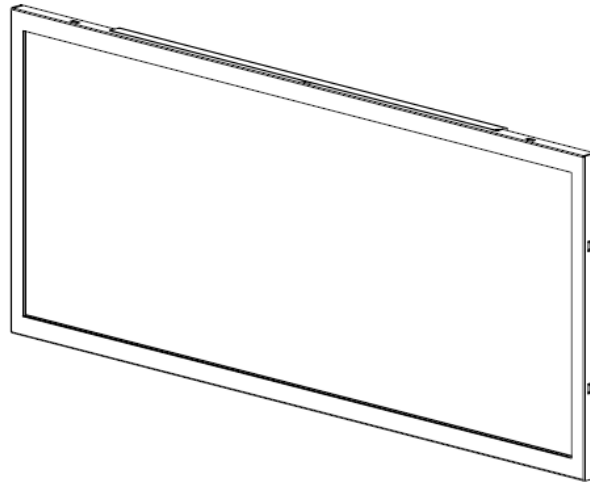


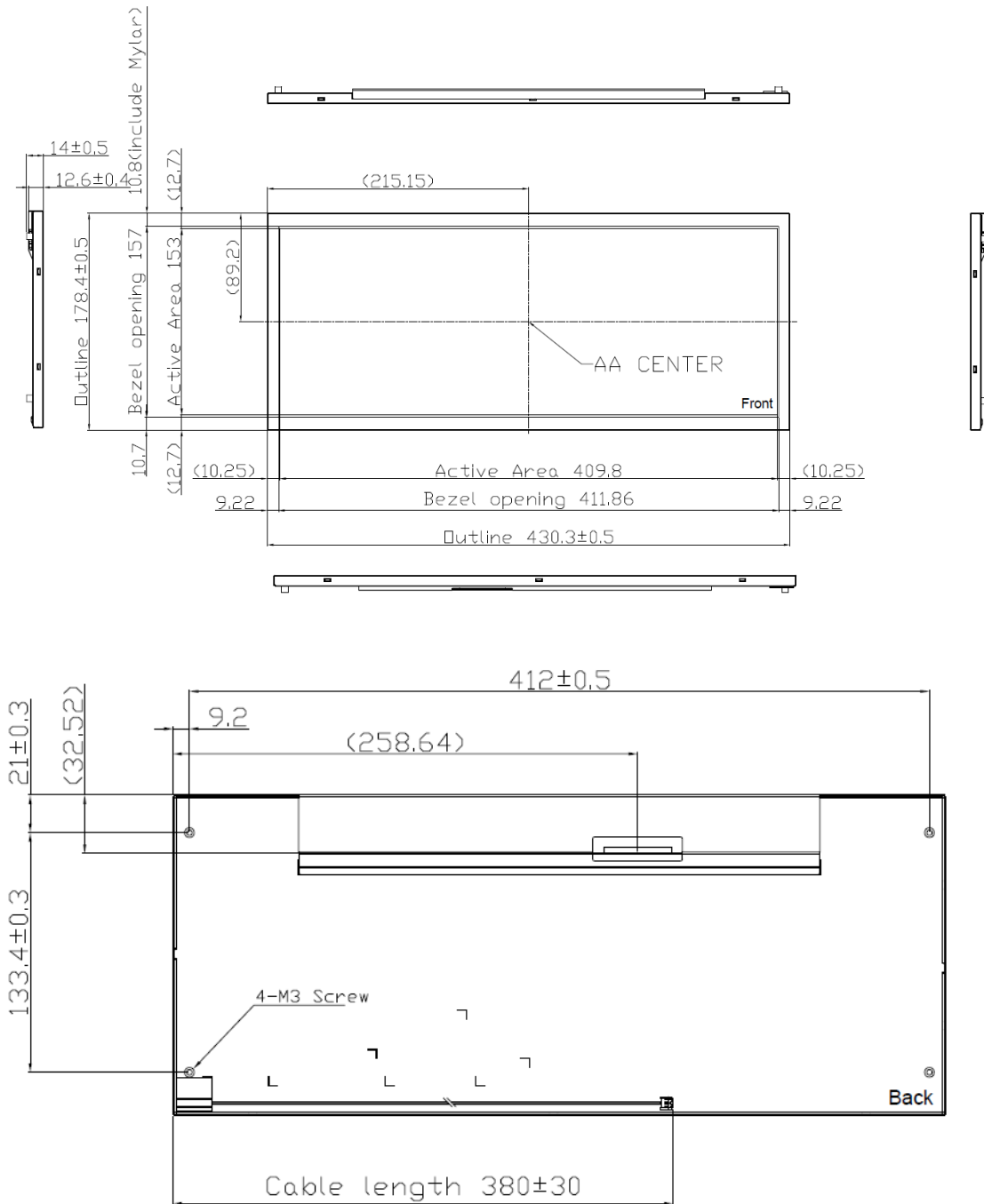
Industrial Solutions Partner!

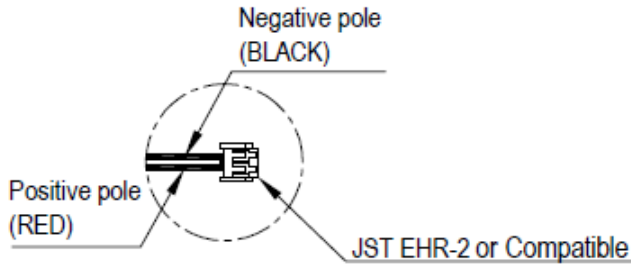
Mechanical Drawing

Outline Dimensions

Unit:mm







Connector View

Note :

1. Tolerance is $\pm 0.5\text{mm}$ unless noted.
2. "()" marks the reference dimension.
3. Connector type: I/F Connector to be JAE FI-X30HL or compatible.
4. Allowed depth of user hole for M3 screw is 4.5mm Max.

Ordering Information

Part Number	Description
SSF1725-BNN-A01	17.2",1000nits,1366*510,LID17C,5in1,V1
SSH1725-BNN-Q01	17.2",1000nits,1366*510,LID17C,AD8891DHP,DC12V,5in1,V1

Optional Accessories

Part Number	Description
840612051212	ADAPTER,AC/DC,12V/5A,60W,Power-Din-4P,CWT,G99-ABF060F-N022,Efficiency-level-6,R
810618301010	CABLE,POWER,AC,1830mm USA type
810618301090	CABLE,POWER,AC,1830mm Europe type
810618301050	CABLE,POWER,AC,1830mm UK type
810618301170	CABLE,POWER,AC,1830mm Australia type
810618301031	CABLE,POWER,AC,1830mm Japan type

Customer request

Touch	SCT (Single-Touch), PCT (Multi-Touch)
Glass	Tempered glass, AR coating.....

Assured Systems

Assured Systems is a leading technology company with over 1,500 regular clients in 80 countries, deploying over 85,000 systems to a diverse customer base in 12 years of business. We offer high-quality and innovative rugged computing, display, networking and data collection solutions to the embedded, industrial, and digital-out-of-home market sectors.

US

sales@assured-systems.com

Sales: +1 347 719 4508
Support: +1 347 719 4508

1309 Coffeen Ave
Ste 1200
Sheridan
WY 82801
USA

EMEA

sales@assured-systems.com

Sales: +44 (0)1785 879 050
Support: +44 (0)1785 879 050

Unit A5 Douglas Park
Stone Business Park
Stone
ST15 0YJ
United Kingdom

VAT Number: 120 9546 28
Business Registration Number: 07699660