



Industrial Solutions Partner!

SSD1725-B

17.2" LCD, 1000nits, LED backlight, 1366x510 ultra-wide aspect ratio 16:6

The SSD1725-B is a 17.2 inch color TFT-LCD display with special aspect ratio 16:6 and wide resolution 1366 x 510. It is LiteMAX's Spanpixel series product which designed for high brightness with power efficiency LED backlight. It provides LCD panel with specific aspect ratios and sunlight readable for digital signage, public transportation, exhibition hall, department store, and vending machine.

Key Features

- Resizing LCD
- Ultra Wide Screen 16:6
- LED Backlight
- Brightness 1000nits
- Low Power Consumption
- BL MTBF: 100,000 hours



Specifications

Model Name	SSD1725-B
Description	17.2" TFT LCD, 1000nits LED backlight , 1366x510
Screen Size	17.2"
Display Area (mm)	409.8(H) x 153(V)
Brightness	1000 cd/m ²
Resolution	1366x510
Aspect Ratio	16 : 6
Contrast Ratio	850 : 1
Pixel Pitch (mm)	0.300(H) x 0.300(V)
Pixel Per Inch (PPI)	84
Viewing Angle	178°(H),178°(V)
Color Saturation (NTSC)	79%
Display Colors	16.7M
Response Time (Typical)	16ms
Panel Interface	LVDS
AD Board Input Interface	DVI-I, HDMI, DP
Input Power	DC12V
Power Consumption	17.4W
OSD Key	4 Keys (Power Switch, Menu, +, -)
OSD Control	Brightness, Color, Contrast, Auto Turing, H/V Position...etc
Dimensions (mm)	432.9x181.1x40
Bezel Size(U/B/L/R)	14/14/11.6/11.5 mm
Mounting	75x75, 100x100
Weight (Net)	2.3Kg
Operating Temperature	0 °C ~ 50 °C
Storage Temperature	-20 °C ~ 60 °C

SSD= Panel + LED Driving Board + AD Control Board + Chassis

Specifications are subject to change without notice.
All brands or product names are trademarks or registered trademarks of their respective companies.

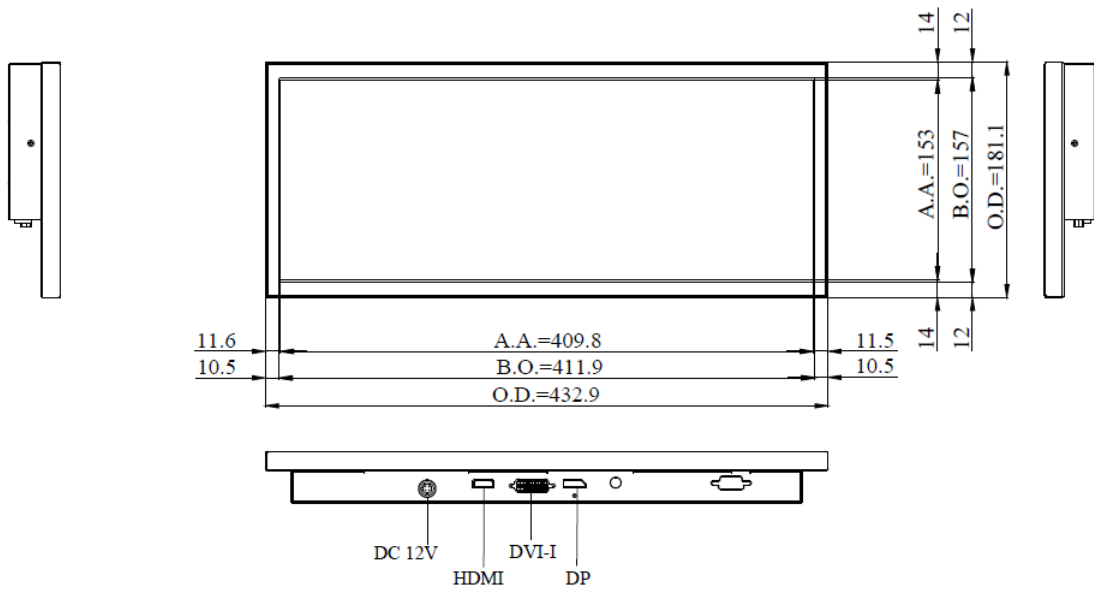
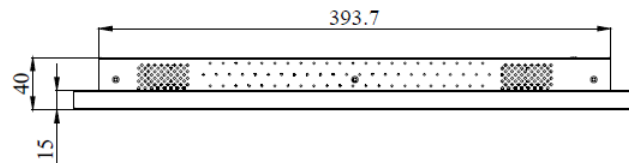
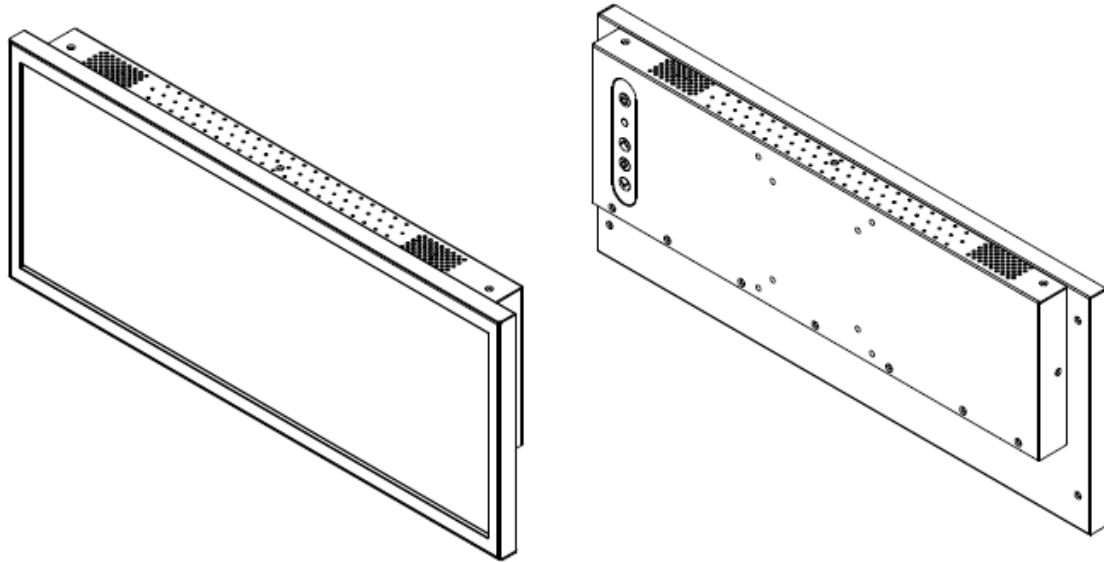


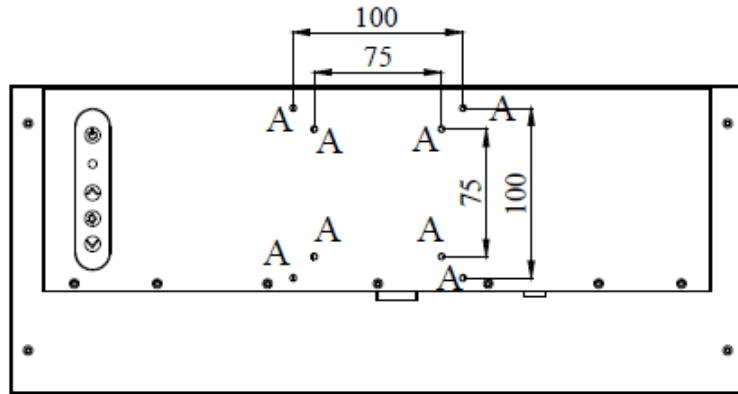
Industrial Solutions Partner!

Mechanical Drawing

Outline Dimensions

Unit:mm





NOTE :
O.D. : OUTLINE DIMENSION
B.O. : BEZEL OPENING
A.A. : LCD ACTIVE AREA
A : 4-M4_USER HOLE_MAX. DEPTH=4 mm



Industrial Solutions Partner!

Ordering Information

Part Number	Description
SSD1725-BNB-Q01	17.2",1000nits,1366*510,LID17C,AD8891DHP,O/B,DC12V,3in1,V1

Optional Accessories

Part Number	Description
840612051212	ADAPTER,AC/DC,12V/5A,60W,Power-Din-4P,CWT,G99-ABF060F-N022,Efficiency-level-6,R
810618301010	CABLE,POWER,AC,1830mm USA type
810618301090	CABLE,POWER,AC,1830mm Europe type
810618301050	CABLE,POWER,AC,1830mm UK type
810618301170	CABLE,POWER,AC,1830mm Australia type
810618301031	CABLE,POWER,AC,1830mm Japan type

Customer request

Touch	SCT (Single-Touch), PCT (Multi-Touch)
Glass	Tempered glass, AR coating.....

Assured Systems

Assured Systems is a leading technology company with over 1,500 regular clients in 80 countries, deploying over 85,000 systems to a diverse customer base in 12 years of business. We offer high-quality and innovative rugged computing, display, networking and data collection solutions to the embedded, industrial, and digital-out-of-home market sectors.

US

sales@assured-systems.com

Sales: +1 347 719 4508
Support: +1 347 719 4508

1309 Coffeen Ave
Ste 1200
Sheridan
WY 82801
USA

EMEA

sales@assured-systems.com

Sales: +44 (0)1785 879 050
Support: +44 (0)1785 879 050

Unit A5 Douglas Park
Stone Business Park
Stone
ST15 0YJ
United Kingdom

VAT Number: 120 9546 28
Business Registration Number: 07699660