



Industrial Solutions Partner!

SSD3805-I V3

37.6" Resizing LCD, 1000 nits LED backlight, 1920 x 540 ultra-wide aspect ratio 16:4.5

The SSD3805-I is a 37.6 inch color TFT-LCD display with special aspect ratio 16:4.5 and wide resolution 1920 x 540. It is Litemax's Spanpixel series product which designed for high brightness 1000 nits with power efficiency LED backlight. It provides LCD panel with specific aspect ratios and sunlight readable for digital signage, public transportation, exhibition hall, department store, and vending machine.

Key Features

- 37.6" resizing LCD
- Stretched display (aspect ratio of 16 : 4.5)
- Sunlight readable, high brightness (1,000 nits)
- Resolutions: 1920 x 540
- Wide view angle of 178° (H), 178° (V)
- BL MTBF: 100,000 hours



Specifications

Model Name	SSD3805-I V3
Description	37.6" Resizing LCD, 1000 nits LED backlight, 1920x540
Screen Size	37.6"
Display Area (mm)	919.296(H) x 258.5(V)
Brightness	1000 cd/m ²
Resolution	1920x540
Aspect Ratio	16 : 4.5
Contrast Ratio	8000 : 1
Pixel Pitch (mm)	0.4788(H) x 0.4788(V)
Pixel Per Inch (PPI)	52
Viewing Angle	178°(H),178°(V)
Color Saturation (NTSC)	82%
Display Colors	16.7M
Response Time (Typical)	9.5ms
Video Interface	VGA,DVI-D,HDMI
Input Power	DC12V
Power Consumption	36.4W
Dimensions (mm)	962.6x 304.9 x 54.2
Bezel Size(U/B/L/R)	16.4/25/19.1/19.1 mm
Weight (Net)	8.8 kg
Mounting	VESA 400X100mm
OSD Key	4 Keys (Power Switch, Menu, +, -)
OSD Control	Brightness, Color, Contrast, Auto Turing, H/V Position...etc
Operating Temperature	0 °C ~ 50 °C
Storage Temperature	-20 °C ~ 60 °C
Product Approval	CE,FCC

SSD= Panel+ LED Driving Board + AD Control Board + Housing

Specifications are subject to change without notice.



Industrial Solutions Partner!

All brands or product names are trademarks or registered trademarks of their respective companies.

Mechanical Drawing

Outline Dimensions

Unit: mm

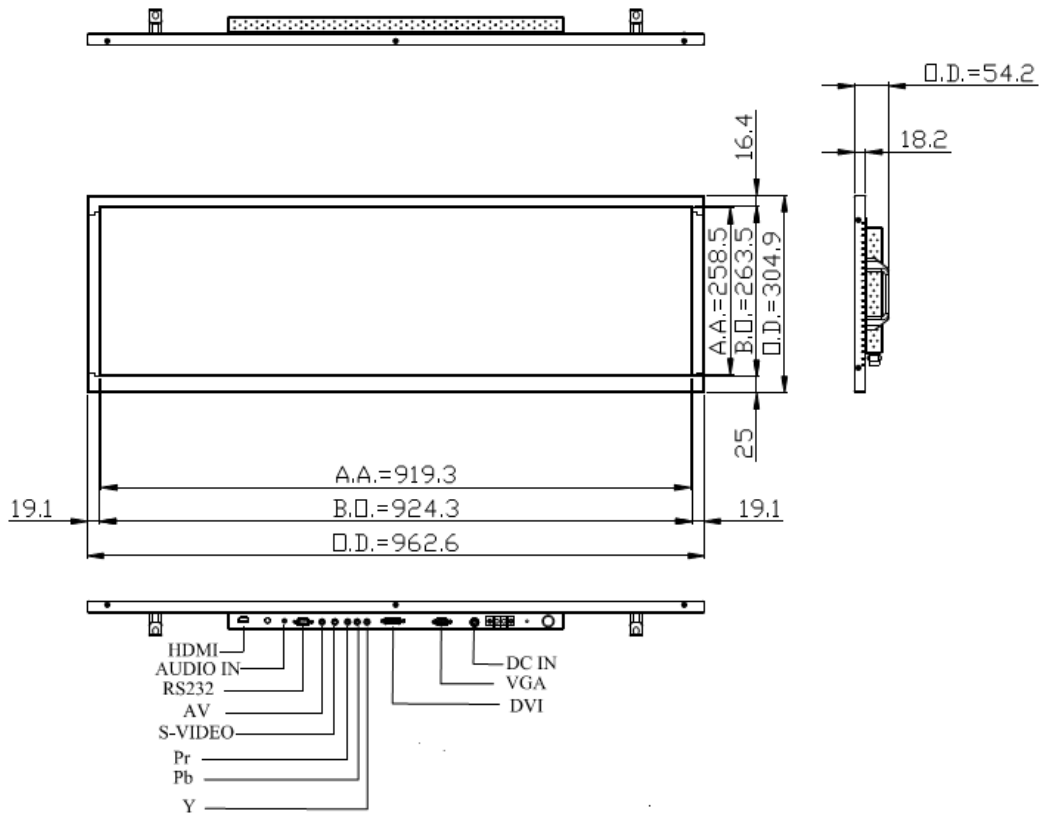
Note :

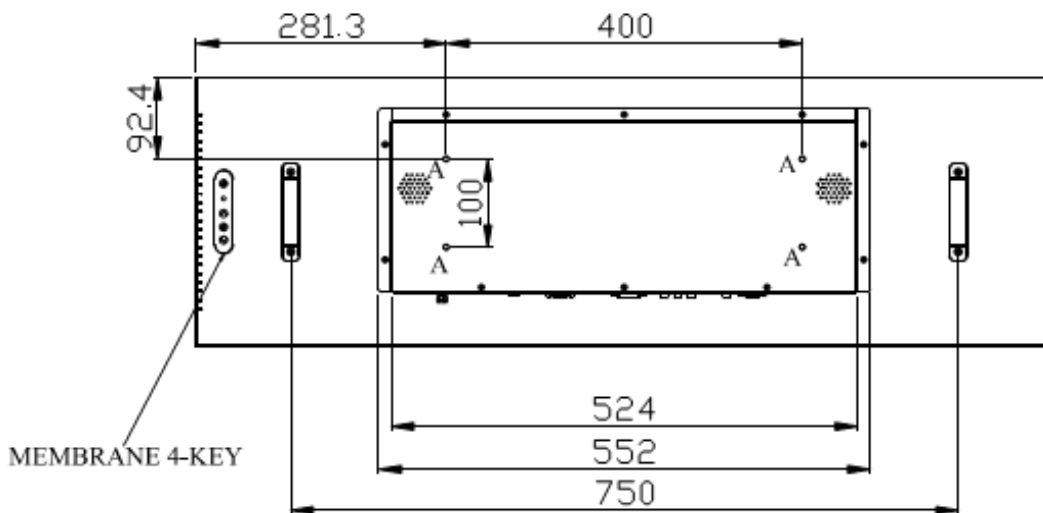
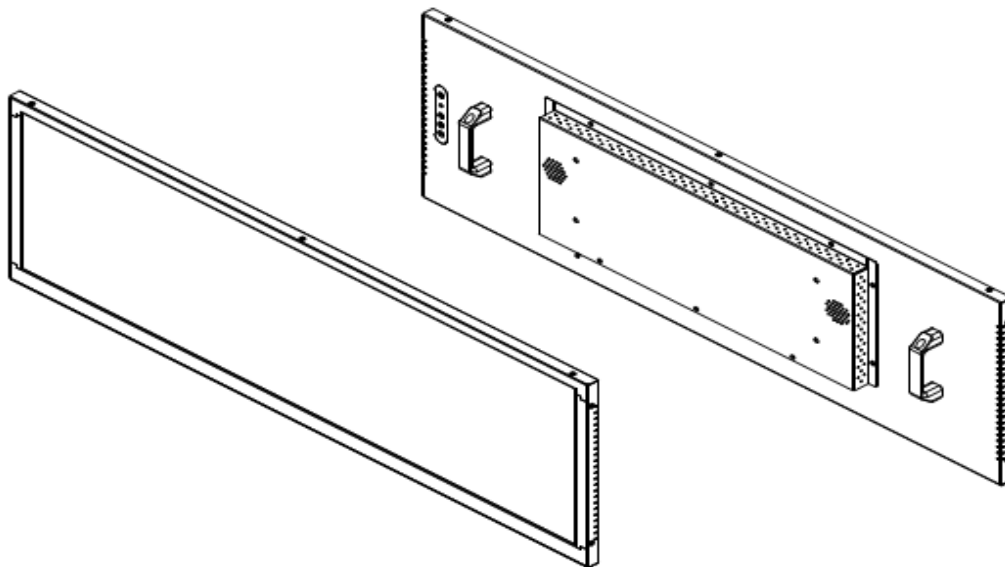
O.D : Outline Dimension

B.O : Bezel Opening

A.A : LCD Active Area

A:4-M6_USER_HOLE_MAX_DEPTH=11mm







Industrial Solutions Partner!

Ordering Information

Part Number	Description
SSD3805-INB-G21	37.6",1000nits,1920*540,LID38A,AD2662GDHMR,O/B,DC12V,2in1,V3

Optional Accessories

Part Number	Description
840612051210	ADAPTER,AC/DC,12V/5.4A,65W,Atech OEM A065112-TDx.4P SLIDING CAP,P
810618301010	CABLE.POWER.AC.1830mm USA type
810618301090	CABLE,POWER,AC,1830mm Europe type
810618301050	CABLE.POWER.AC.1830mm UK type
810618301170	CABLE.POWER,AC,1830mm Australia type
810618301031	CABLE.POWER.AC.1830mm Japan type

By Customer Request

Glass	Tempered glass, AR coating.....
-------	---------------------------------

Assured Systems

Assured Systems is a leading technology company with over 1,500 regular clients in 80 countries, deploying over 85,000 systems to a diverse customer base in 12 years of business. We offer high-quality and innovative rugged computing, display, networking and data collection solutions to the embedded, industrial, and digital-out-of-home market sectors.

US

sales@assured-systems.com

Sales: +1 347 719 4508
Support: +1 347 719 4508

1309 Coffeen Ave
Ste 1200
Sheridan
WY 82801
USA

EMEA

sales@assured-systems.com

Sales: +44 (0)1785 879 050
Support: +44 (0)1785 879 050

Unit A5 Douglas Park
Stone Business Park
Stone
ST15 0YJ
United Kingdom

VAT Number: 120 9546 28
Business Registration Number: 07699660