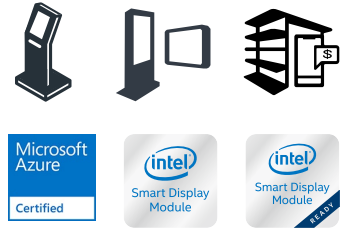


ISDM-4805

48" TFT LCD, 1000 nits, 4K(3840x720) SDM Solutions



Key Features

- Brightness: 1000nits
- LED Backlight
- 48" 3840x720
- Low Power Consumption
- Slim Bezel
- Support Intel® SDM-S/SDM-L


Product Specification

	ISDM-4805
Description	48" TFT LCD,1000nits, 3840x720 SDM Solutions
Screen size	48"
Display area (mm)	1194.05(H) x 223.88(V)
Brightness	1000 cd/m2
Resolution	3840 x 720
Aspect ratio	16 : 3
Contrast ratio	1200 : 1
Pixel pitch (mm)	0.31095(H) x 0.31095(V)
Pixel per inch (PPI)	81
Viewing angle	178°(H),178°(V)
Color saturation (NTSC)	83%
Display colors	16.7M
Response time (Typical)	10ms
Video interface	SDM-S/SDM-L
Input power	AC100~240V
Power consumption	106W (Panel Model Only) 126W (w/SDM-L N3350)
Dimensions (mm)	1220.3 x 289.7 x 62mm

Color	Pantone 432C
Weight (Net)	12kg
Mounting	VESA 400x100, (M6 Screw)
OSD key	5 Keys (Power Switch, Menu, +, -,Return)
OSD control	Brightness, Color, Contrast, Auto Turing, H/V Position...etc
Operating temperature	0 °C ~ 50 °C
Storage temperature	-20 °C ~ 60 °C
Product approval	CE, FCC

SDM From Factor list

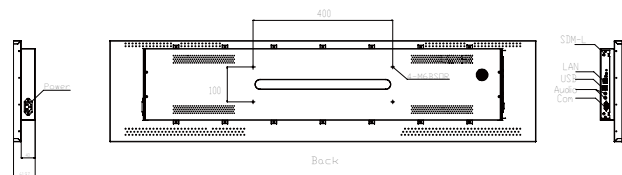
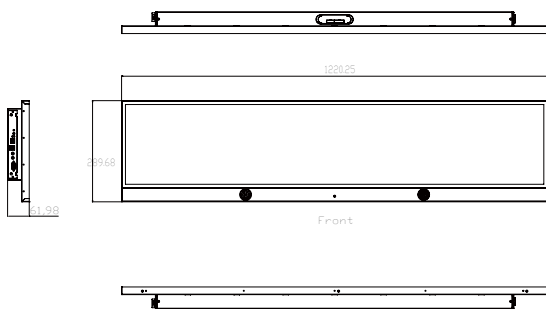
Part Number	Description
ASDM-APL5	SDM-L, Intel Apollo Lake CPU,COM/2USB/LAN



Ordering Information

Part Number	Description
ISDM-4805-APL5-ZN00-4001	48",1000nits,3840*720,LID on LCM,w/ASDM-APL5 N3350,4GB DDR3L,64GB M.2 SSD,AD9131DHP,O/B,2x5W Speaker,Win10 Pro 64bit ,AC100~240V,

Dimensions



Assured Systems

Assured Systems is a leading technology company with over 1,500 regular clients in 80 countries, deploying over 85,000 systems to a diverse customer base in 12 years of business. We offer high-quality and innovative rugged computing, display, networking and data collection solutions to the embedded, industrial, and digital-out-of-home market sectors.

US

sales@assured-systems.com

Sales: +1 347 719 4508
Support: +1 347 719 4508

1309 Coffeen Ave
Ste 1200
Sheridan
WY 82801
USA

EMEA

sales@assured-systems.com

Sales: +44 (0)1785 879 050
Support: +44 (0)1785 879 050

Unit A5 Douglas Park
Stone Business Park
Stone
ST15 0YJ
United Kingdom

VAT Number: 120 9546 28
Business Registration Number: 07699660