



Industrial Solutions Partner!

**SSD2955-I**

**29.5" Resizing LCD, 1000 nits LED backlight, 2160 x 2160 Square aspect ratio 1:1**

The SSD2955-I is a 29.5 inch color TFT-LCD display with special aspect ratio 1:1 and wide resolution 2160 x 2160. It is Litemax's Spanpixel series product which designed for high brightness 1000 nits with power efficiency LED backlight. It provides LCD panel with specific aspect ratios and sunlight readable for digital signage, public transportation, exhibition hall, department store, and vending machine.

**Key Features**

- Resizing LCD
- Square Screen (1 : 1)
- High Brightness 1000 nits
- Sunlight Readable
- LED Backlight
- Slim Bezel
- BL MTBF: 100,000 hours



**Specifications**

<b>Model Name</b>	<b>SSD2955-I</b>
<b>Description</b>	29.5" Resizing LCD, 1000 nits LED backlight, 2160x2160
<b>Screen Size</b>	29.5"
<b>Display Area (mm)</b>	529.4(H) x 529.4(V)
<b>Brightness (Typical)</b>	1000 cd/m <sup>2</sup>
<b>Resolution</b>	2160x2160
<b>Aspect Ratio</b>	1 : 1
<b>Contrast Ratio (Typical)</b>	5800 : 1
<b>Pixel Pitch (mm)</b>	0.2451(H) x 0.2451(V)
<b>Pixel Per Inch (PPI)</b>	104
<b>Viewing Angle</b>	178°(H),178°(V)
<b>Color Saturation (NTSC)</b>	83%
<b>Display Colors</b>	1.07G
<b>Response Time (Typical)</b>	9.5ms
<b>Panel Interface</b>	V-by-One
<b>Video Interface</b>	HDMI, DP
<b>Input Power</b>	DC12V
<b>Power Consumption</b>	76W
<b>OSD Key</b>	5 Keys (Power Switch, Menu, +, Exit, -)
<b>OSD Control</b>	Brightness, Color, Contrast, Auto Turing, H/V Position...etc
<b>Dimensions (mm)</b>	564.5 x 564.5 x 61.4
<b>Bezel Size(U/B/L/R)</b>	17.5/17.5/17.5/17.5
<b>Mounting</b>	100x100, 200x200
<b>Weight (Net)</b>	9.6kg
<b>Operating Temperature</b>	0 °C ~ 50 °C
<b>Storage Temperature</b>	-20 °C ~ 60 °C

**SSD= Panel + LED Driving Board + AD Control Board + Chassis**

Specifications are subject to change without notice.  
All brands or product names are trademarks or registered trademarks of their respective companies.

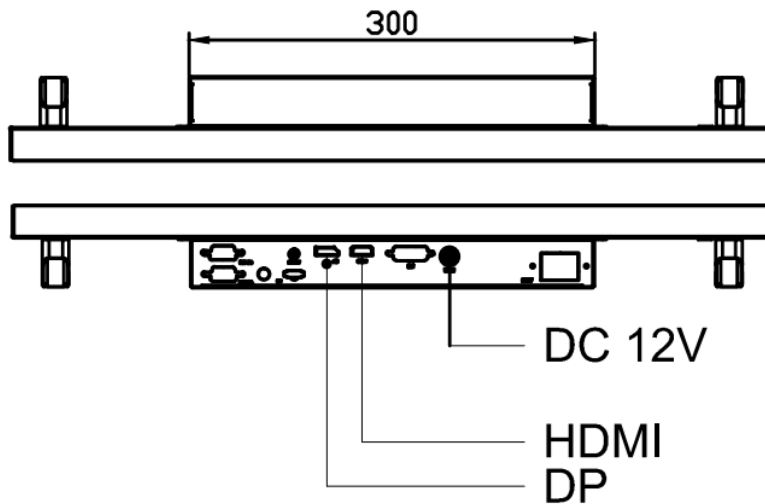
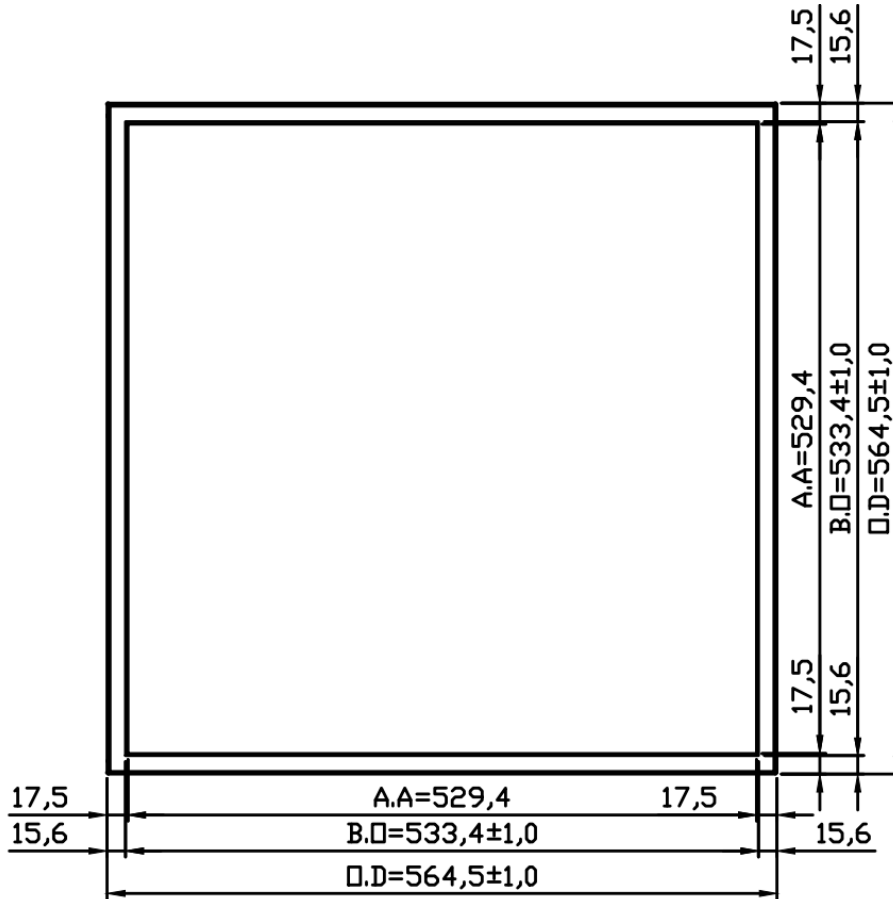


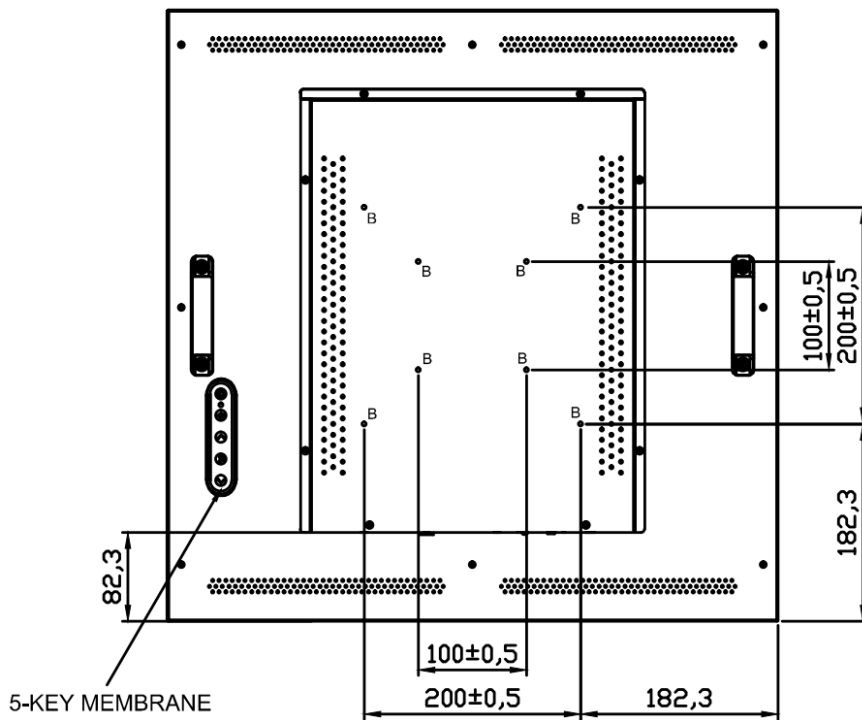
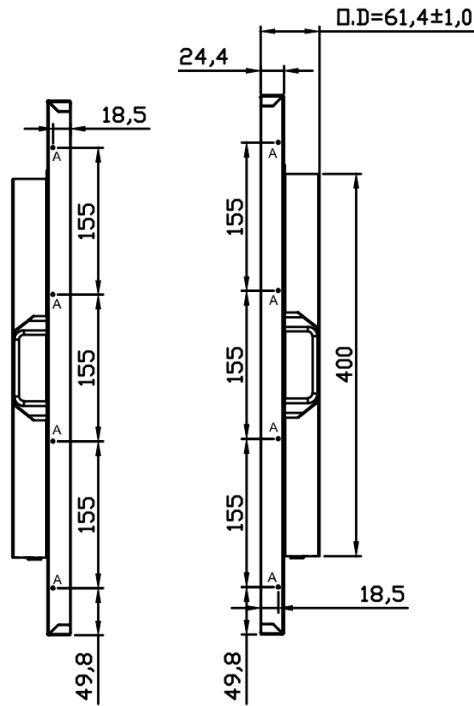
Industrial Solutions Partner!

**Mechanical Drawing**

Outline Dimensions

Unit: mm





Note :  
 O.D : Outline Dimension  
 B.O : Bezel Opening  
 A.A : LCD Active Area  
 A:8-M3\_USER\_HOLE\_MAX\_DEPTH=7mm  
 B:8-M4\_USER\_HOLE\_MAX\_DEPTH=6mm



Industrial Solutions Partner!

**Ordering Information**

Part Number	Description
SSD2955-INU-M11	29.5",1000nits,2160*2160,LID29C/12V,AD9131HP/12V,O/B,DC12V,2in1,V1

**Optional Accessories**

Part Number	Description
810618301010	CABLE,POWER.AC,1830mm USA type
810618301090	CABLE,POWER,AC,1830mm Europe type
810618301050	CABLE,POWER,AC,1830mm UK type
810618301170	CABLE,POWER,AC,1830mm Australia type
810618301031	CABLE,POWER,AC,1830mm Japan type

**By Customer Request**

Glass	Tempered glass, AR coating.....
-------	---------------------------------

## Assured Systems

Assured Systems is a leading technology company with over 1,500 regular clients in 80 countries, deploying over 85,000 systems to a diverse customer base in 12 years of business. We offer high-quality and innovative rugged computing, display, networking and data collection solutions to the embedded, industrial, and digital-out-of-home market sectors.

### US

[sales@assured-systems.com](mailto:sales@assured-systems.com)

Sales: +1 347 719 4508  
Support: +1 347 719 4508

1309 Coffeen Ave  
Ste 1200  
Sheridan  
WY 82801  
USA

### EMEA

[sales@assured-systems.com](mailto:sales@assured-systems.com)

Sales: +44 (0)1785 879 050  
Support: +44 (0)1785 879 050

Unit A5 Douglas Park  
Stone Business Park  
Stone  
ST15 0YJ  
United Kingdom

VAT Number: 120 9546 28  
Business Registration Number: 07699660