



**8th/9th Gen Intel® Core™ Processor  
Digital Signage OPS Computer**

**OPS150-CS**

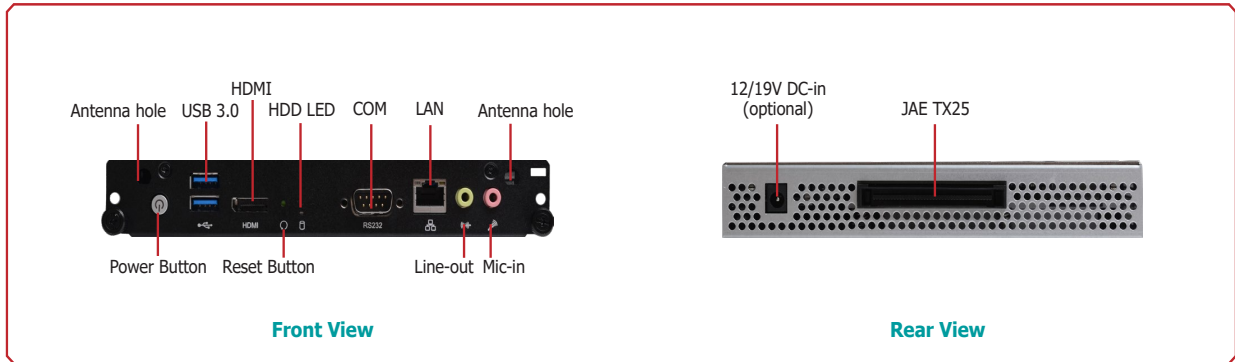


**Features**

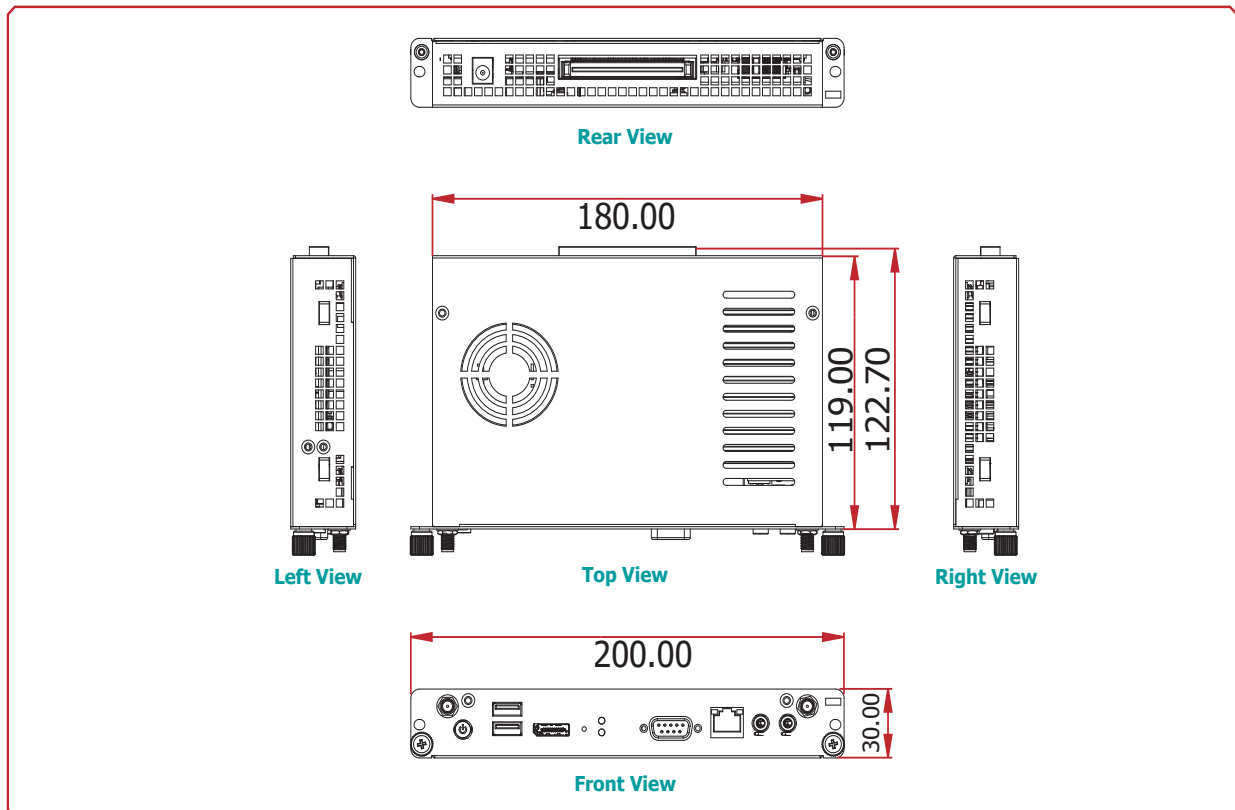
- Intel® Open Pluggable Specification (OPS compliance)
- 2 DDR4-2666 SO-DIMM max. up to 32 GB
- M.2 SSD, M.2 Wi-Fi/BT
- Supports 4K @ 60Hz resolution
- Easy installation and maintenance
- Supports HDMI, USB3.1



**Panel**



**Dimensions**





**Specifications**

<b>SYSTEM</b>	<b>Processor</b>	8th/9th Generation Intel® Core™ Processors, LGA 1151 Socket Intel® Core™ i7-9700TE Processor, Octa Core, 12M Cache, 1.8GHz (3.8GHz), 35W Intel® Core™ i5-9500TE Processor, Hexa Core, 9M Cache, 2.2GHz (3.6GHz), 35W Intel® Core™ i3-9100TE Processor, Quad Core, 6M Cache, 2.2GHz (3.2GHz), 35W Intel® Core™ i7-8700T Processor, Hexa Core, 12M Cache, 2.4GHz (4.0GHz), 25W (35W) Intel® Core™ i5-8500T Processor, Hexa Core, 9M Cache, 2.1GHz (3.5GHz), 25W (35W) Intel® Core™ i3-8300T Processor, Quad Core, 8M Cache, 2.5GHz (3.2GHz), 25W (35W)
	<b>Chipset</b>	Intel® H310 Chipset
	<b>Memory</b>	Two 260-pin SODIMM up to 32GB Dual Channel DDR4 2666MHz
	<b>BIOS</b>	Insyde SPI 16Mbit
	<b>GRAPHICS</b>	<b>Controller</b> Intel® HD Graphics 630
	<b>Feature</b>	OpenGL 5.0, DirectX 12, OpenCL 2.1 HW Decode: AVC/H.264, MPEG2, VC1/WMV9, JPEG/MJPEG, HEVC/H265, VP8, VP9 HW Encode: MPEG2, AVC/H264, JPEG, HEVC/H265, VP8, VP9
	<b>Display</b>	1 x HDMI 1.4 via JAE connector interface support: 1 x HDMI 2.0 output + 1 x DP 1.2 output HDMI 1.4: resolution up to 3840x2160 @ 30Hz HDMI 2.0: resolution up to 3840x2160 @ 60Hz DP: resolution up to 4096x2160 @ 60Hz
	<b>Triple Displays</b>	2 x HDMI + 1 x DP
<b>EXPANSION</b>	<b>Interface</b>	1 x M.2 (2280 M Key) (PCIe NVMe x4/SATA 3.0) 1 x M.2 (2230 E Key) (PCIe/USB 2.0)
<b>ETHERNET</b>	<b>Controller</b>	Realtek RTL8111H
<b>LED</b>	<b>Indicators</b>	1 x Power LED 1 x HDD LED
<b>FRONT I/O</b>	<b>Ethernet</b>	1 x GbE (RJ-45)
	<b>Serial</b>	1 x RS-232 (DB-9)
	<b>USB</b>	2 x USB 3.1
	<b>Display</b>	1 x HDMI 1.4
	<b>Audio</b>	1 x Line-out 1 x Mic-in
	<b>Buttons</b>	1 x Power Button 1 x Reset Button
	<b>Wi-Fi Antenna</b>	2 x Wi-Fi Module Antenna Hole
<b>REAR I/O</b>	<b>OPS Interface</b>	JAE TX25: 1 x HDMI 2.0 1 x DP 1.2 2 x USB 2.0 1 x USB 3.0 1 x UART 1 x Audio out 1 x 12~19V DC-in
<b>COOLING</b>	<b>Fan</b>	Active Cooling
<b>WATCHDOG TIMER</b>	<b>Output &amp; Interval</b>	System Reset, Programmable via Software from 1 to 255 Seconds
<b>POWER</b>	<b>Type</b>	12V/19V
	<b>Connector</b>	DC-in Connector (optional)
<b>OS SUPPORT</b>		Windows 10 Enterprise (64-bit) Linux
<b>MECHANISM</b>	<b>Construction</b>	Aluminum + SGCC
	<b>Dimensions</b>	200mm x 30mm x 119mm (W x H x D)
	<b>Weight</b>	TBD
<b>ENVIRONMENT</b>	<b>Operating Temperature</b>	-5 to 45°C
	<b>Storage Temperature</b>	-40 to 85°C
	<b>Relative Humidity</b>	10 to 90% RH (non-condensing)
<b>STANDARDS AND CERTIFICATIONS</b>	<b>Certification</b>	CE/FCC/CCC

## Assured Systems

Assured Systems is a leading technology company with over 1,500 regular clients in 80 countries, deploying over 85,000 systems to a diverse customer base in 12 years of business. We offer high-quality and innovative rugged computing, display, networking and data collection solutions to the embedded, industrial, and digital-out-of-home market sectors.

### US

[sales@assured-systems.com](mailto:sales@assured-systems.com)

Sales: +1 347 719 4508  
Support: +1 347 719 4508

1309 Coffeen Ave  
Ste 1200  
Sheridan  
WY 82801  
USA

### EMEA

[sales@assured-systems.com](mailto:sales@assured-systems.com)

Sales: +44 (0)1785 879 050  
Support: +44 (0)1785 879 050

Unit A5 Douglas Park  
Stone Business Park  
Stone  
ST15 0YJ  
United Kingdom

VAT Number: 120 9546 28  
Business Registration Number: 07699660