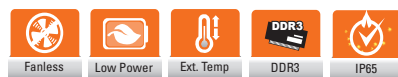


# GOT610-837

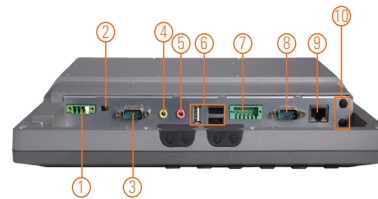
10.4" XGA Fanless Touch Panel PC with Intel® Atom® Processor E3845 1.91 GHz for Heavy-duty Vehicle (-30°C to +55°C)

## Features

- Intel® Atom® processor E3845 1.91 GHz
- Auto-dimming for different environment
- Rugged IP65 front bezel design
- Front hot keys for easy access
- Wide operating temperature range from -30°C to +55°C
- Various mounting ways
- 5-wire resistive or projected capacitive touch
- Class 5M3 and MIL-STD 810F for vibration/shock resistance



1. Mult-function key
2. Brightness +/-
3. Volume +/-
4. LCD on/off
5. LED indicator
6. LED light sensor



1. DC-in
2. AX/ATX mode switch
3. CANBus
4. 1 x Line-out
5. 1 x Mic-in
6. 3 x USB 2.0 type A
7. DIO (6-in/2-out)
8. 1 x RS-232/422/485
9. 1 x LAN
10. 2 x Wireless antenna hole
11. 3G/LTE/WIFI antenna hole

## Introduction

The GOT610-837 vehicle mount terminal focuses on logistics, automation and heavy-duty markets. The GOT610-837 has advanced the platform to meet the daily challenges and demanding work environments of warehouses and distribution center. The GOT610-837 is in use to improve efficiencies across the facility. Especially in the case of forklifts, embedding a capable mobile terminal can improve productivity and reduce errors from the docks to the yard. Having access to accurate information at all time in real-time aids in every process from receiving to storing, moving around, cross docking and picking. Axiomtek serves the needs of supply chain operations to meet any harsh conditions.

### Wide Operating Temperature

The Intel® Atom®-based forklift panel PC, GOT610-837, applies unique extended temperature technology with wide temperature range support as well as fanless operation. It also has a compact design for transport heavy-duty environment.

### Designed for Vehicle Markets

The Axiomtek GOT610-837 is particularly suitable for demanding HMI applications in the vehicle-mounted sector, including arranging stocks and picking goods up and away. To ensure the reliable operation in a variety of different locations, the 10.4-inch vehicle-mounted panel PC supports various mounting options: wall mount, VESA arm and desktop stand. Moreover, it is also ready for Windows® 10, 8.1 or 7.

## Specifications

Front Bezel	IP65, NEMA 4 rugged protection, aluminum front bezel		
LCD Panel	Display Type	10.4" XGA TFT LCD	
	Brightness (cd/m <sup>2</sup> )	500 nits	
	Resolution	1024 x 768	
	Viewing Angle (H/V)	176°/176°	
Main System	CPU	Intel® Atom® processor E3845 1.91 GHz (Bay Trail)	
	Chipset	SoC integrated	
	System Memory	DDR3 4GB (default) or 8GB memory onboard	
	BIOS	AMI with Axiomtek standard features; such as SmartView, Ethernet Boot ROM (RPL & PXE), customer CMOS backup	
	Storage	16GB flash onboard 1 x mSATA	
	Watchdog Timer	255 levels, 1 to 255 sec.	
	Onboard Graphics	Integrated in Intel® GFX	

### Specifications

I/O Connector	1 x 10/100/1000 Mbps Ethernet with isolated 1.5KV 4 x USB (type A) 1 x RS-232/422/485 with isolated 1.5KV (D-sub 9 male) 1 x DC for power input with isolated 1.5KV 1 x Audio (Line-out & Mic-in) 1 x DIO (6-in/2-out) with isolated 1.5KV 1 x CAN bus with isolated 1.5KV 3 x Internal antenna (SMA) 1 x SIM socket
Expansion Interface	2 x PCI Express Mini Card slot
Flat Panel	5-wire resistive or projected capacitive touch
Power Supply	9 to 60 VDC
Power Consumption	44.5W
Dimensions	291 mm (11.46") (W) x 265.88 mm (10.47") (D) x 50 mm (1.97") (H)
Packing Dimensions	382 mm (15.04") (W) x 185 mm (7.28") (D) x 427 mm (16.81") (H)
Weight (net)	2.05 kgs (4.52 lb)
Operating Temperature	-30°C to +55°C (-22°F to +131°F)
Relative Humidity	10% to 95% @ 40°C, non-condensing
Certifications	EN 60721-3-5

\* W.T.: Wide Temperature. All W.T. supported products have to be sorted by Axiomtek.

### Packing List

- 1 x GOT610-837 unit
- 1 x Driver CD
- 2 x Phoenix connector (1 x power 4-pin/1 x DIO 12-pin)

### Ordering Information

GOT610-837	10.4" XGA fanless touch panel computer with Intel® Atom® E3845, 5-wire resistive touch screen and 9 to 60 VDC power input
------------	---

Specifications and certifications may vary based on different requirements.

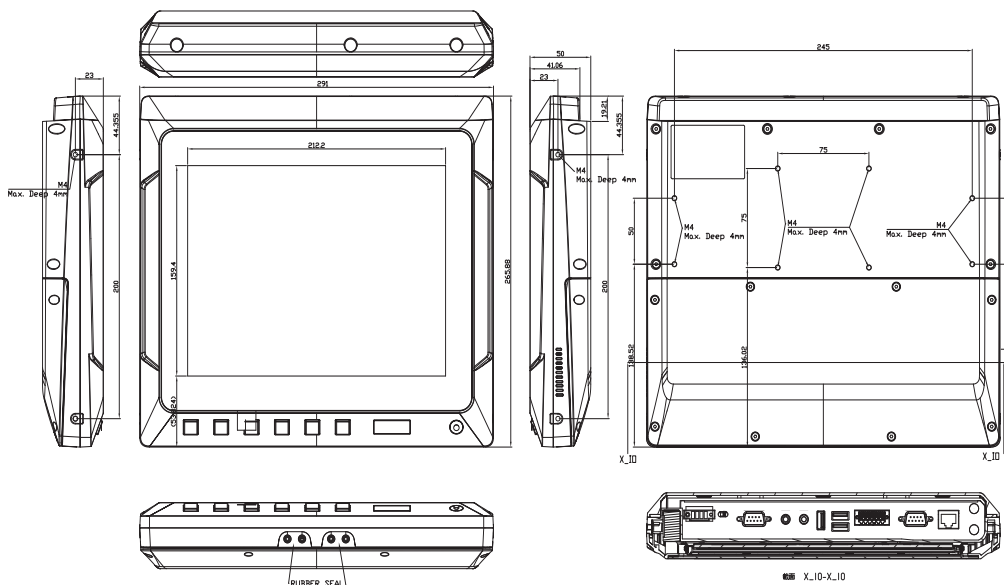
### Optional EOS Installation

WES 7
WE8S
Windows® 10 IoT

### Optional OS Installation

Windows® 7
Windows® 8/8.1
Windows® 10

### Dimensions



## Assured Systems

Assured Systems is a leading technology company with over 1,500 regular clients in 80 countries, deploying over 85,000 systems to a diverse customer base in 12 years of business. We offer high-quality and innovative rugged computing, display, networking and data collection solutions to the embedded, industrial, and digital-out-of-home market sectors.

### US

[sales@assured-systems.com](mailto:sales@assured-systems.com)

Sales: +1 347 719 4508  
Support: +1 347 719 4508

1309 Coffeen Ave  
Ste 1200  
Sheridan  
WY 82801  
USA

### EMEA

[sales@assured-systems.com](mailto:sales@assured-systems.com)

Sales: +44 (0)1785 879 050  
Support: +44 (0)1785 879 050

Unit A5 Douglas Park  
Stone Business Park  
Stone  
ST15 0YJ  
United Kingdom

VAT Number: 120 9546 28  
Business Registration Number: 07699660