

# W24IT3S-MLS1-89

## 24" Intel® Core™ i5-1135G7 Defence Console Rack Panel PC



### KEY FEATURES

- 24" 1920 x 1200 High Resolution TFT LCD
- Intel® Core™ i5-1135G7 2.4 GHz (turbo to 4.2GHz) Processor
- AC 110~240 V Power input default
- Compliant with MIL-STD-810F/G
- Flush Rack / Rack Mount Mechanical Design (9U)
- Convenient On-Screen Display Controls
- Anti-Corrosion Housing / Fanless
- Isolation DC 9~36 V Power input (Optional)
- Built-in light Sensor for auto brightness control
- Defence Grade Power & Signal Connector (MILDTL38999/1 & 38999/3)

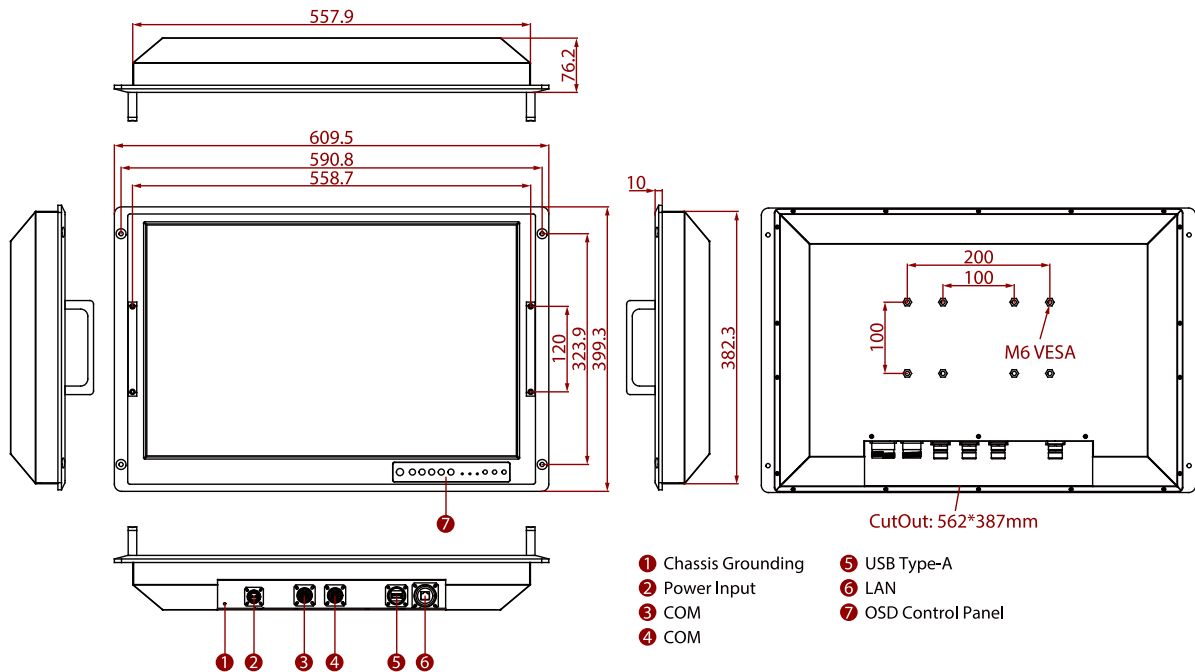


### SPECIFICATIONS

Display			
<b>Resolution</b>	1920x1200	<b>Size</b>	24 inches
<b>Contrast Ratio</b>	1000:1	<b>Panel Brightness</b>	300 nits
<b>View Angles</b>	89,89,89,89	<b>Active Area</b>	518.4x324.0 mm
<b>Touch / Glass</b>	AR Protection Glass EMI ITO Glass (Optional) 5-wire Resistive Touch (Optional) 5-wire Resistive Touch with EMI Mesh Filter (Optional)		
System Specification			
<b>Processor</b>	Intel Core i5-1135G7 2.4GHz (up to 4.2GHz) Intel Core i5-1145G7 2.6GHz (up to 4.4GHz) (Optional)	<b>Memory</b>	1 x SO-DIMM, DDR4 3200 MHz, 4GB 8GB (Optional) 16GB (Optional) 32GB (Optional)
<b>Storage</b>	1 x M.2 M-Key 2242 SATA SSD or 1 x M.2 M-Key 2280 NVMe SSD 128GB 256GB (Optional) 512GB (Optional) 1TB(for NVMe) (Optional) 2TB(for NVMe) (Optional) 4TB(for NVMe) (Optional) 1 x SATA III , up to 2TB (Optional)	<b>Ethernet controller</b>	2 x Intel® Ethernet Controller
<b>Security</b>	TPM 2.0	<b>Operating System</b>	Windows 11 IoT Enterprise SAC (64 bit) (Optional) Windows 10 IoT Enterprise (64 bit) (Optional) Linux Ubuntu 22.04 (Optional)
Environment			
<b>Operating Humidity</b>	10% to 95% RH	<b>Operating Temperature</b>	0~50°C
<b>Storage Temperature</b>	-10°C~60°C		
Compliance			
<b>MIL-STD 461E/F</b>	RE101 / RE102 CE101 / CE102 with EMI Glass / Touch(Optional)	<b>MIL-STD 810F/G</b>	Vibration Method 514.5 Humidity Method 507.4 Transit Drop Method516.5

RS101 / RS 103 CS101 / CS 106 / CS 109 / CS 114 / CS 115 / CS 116	
<b>Certification</b>	
<b>Certification</b>	CE, FCC MILSTD 461F, MILSTD 810G
<b>IO Ports</b>	
<b>USB Port</b>	1 x USB 2.0 A Type (MIL-DTL-38999/3)
<b>LAN</b>	1 x LAN (MIL-DTL-38999/3)
<b>Serial Port</b>	2 x RS232 (MILDTL38999/3)
<b>Mechanical</b>	
<b>Dimension</b>	609.5 x 399.3 x 76.2 mm
<b>Enclosure</b>	Metal Housing with Aluminum Bezel
<b>Mounting</b>	VESA Mount/ Rack Mount
<b>Cooling System</b>	Fanless Design
<b>Accessory</b>	
<b>Accessory</b>	User Manual (Hardcopy) CD-ROM with Driver Utility Power Cord MIL-DTL-38999/1 RS232 Cable MILDTL38999/3
<b>Power</b>	
<b>Power Rating</b>	AC 100~240V, Universal, ±10% DC 9~36V, ±10% (Optional)
<b>Control</b>	
<b>Button</b>	8 Key OSD Control Pad: Power, Brightness DOWN, Brightness UP, Night, Day, Auto / Manual, Reset, Lock

**DIMENSIONS** UNIT:MM



**NOTE**

1. This is a simplified drawing and some components are not marked in detail.
2. Please contact our sales representative if you need further product information.
3. All specifications are subject to change without prior notice.
4. The product shown in this datasheet is a standard model. For diagrams that contain customized or optional I/O, please contact the Winmate Sales Team for more information.

## Assured Systems

Assured Systems is a leading technology company with over 1,500 regular clients in 80 countries, deploying over 85,000 systems to a diverse customer base in 12 years of business. We offer high-quality and innovative rugged computing, display, networking and data collection solutions to the embedded, industrial, and digital-out-of-home market sectors.

### US

[sales@assured-systems.com](mailto:sales@assured-systems.com)

Sales: +1 347 719 4508  
Support: +1 347 719 4508

1309 Coffeen Ave  
Ste 1200  
Sheridan  
WY 82801  
USA

### EMEA

[sales@assured-systems.com](mailto:sales@assured-systems.com)

Sales: +44 (0)1785 879 050  
Support: +44 (0)1785 879 050

Unit A5 Douglas Park  
Stone Business Park  
Stone  
ST15 0YJ  
United Kingdom

VAT Number: 120 9546 28  
Business Registration Number: 07699660