

# R15IAD3S-67C3-P(HB)

15" Intel® Core™ i5-1235U G-WIN Full IP67 P-CAP Panel PC



## KEY FEATURES

- 12th Gen Intel® Core™ i5-1235U processor
- High Quality 15" Panel, 1024 x 768 resolution, 1000 nits
- P-cap multi touch screen Optical Bonding with Panel to increase the clarity and transparency
- Optional True Flat 5 Wire Resistive Touch Optical Bonding with Panel
- Optional Anti-Reflective Protection Glass Optical Bonding with Panel
- Dust/ Water proof design with VESA mount Full IP67 Panel PC
- Aluminum Die-Casting Housing with Anti-Corrosion Treatments
- Build in ambient Light sensor
- -10 to 55°C wide operating temperature
- Wide Range 9 to 36V DC Input with isolation. Optional for Ignition On/Off delay



## OVERVIEW



### Elevated Practicality with True Flat Design

Winmate G-WIN IP67 Series Panel PC features an elegant, edge-to-edge, true flat design. Simplicity in maintenance and cleanliness ensures resistance to water or liquid penetration through any device opening.



### Complete Protection Against Water and Dust in Harsh Environments

Winmate G-WIN IP67 features Full IP67 protection against water and dust, making it both dustproof and waterproof, ideal for demanding environments.



### Fanless Cooling and Ultra-Low Power Consumption

Designed with a fanless architecture and a passive cooling system, the Winmate G-WIN IP67 Series Panel PC brings about practical benefits. This approach decreases noise levels, minimizes power consumption, improves reliability, and extends the overall life cycle of the product.



### Comprehensive IO Ports

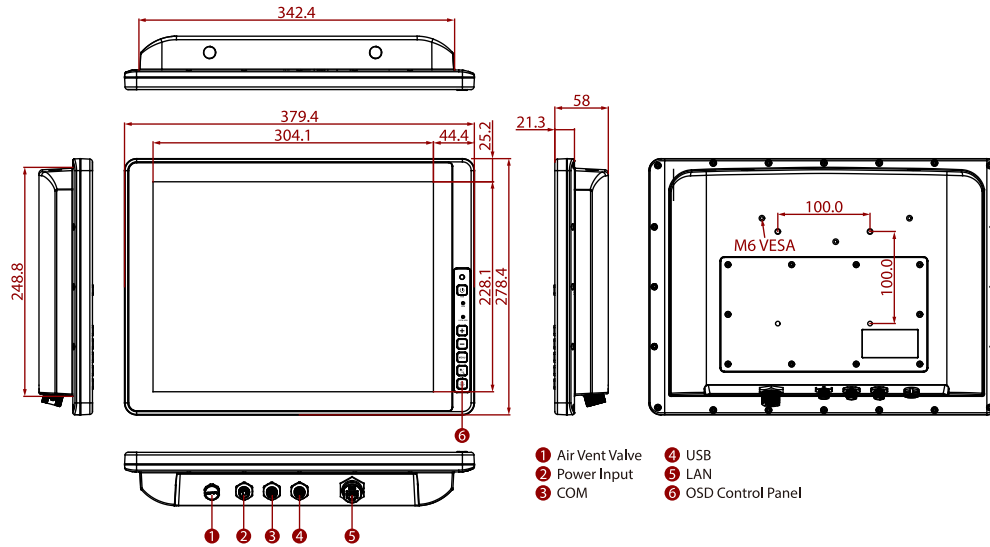
Winmate G-WIN IP67 Series Panel PC offers a range of I/O interfaces to meet diverse industrial applications. These interfaces allow seamless connectivity and interaction with various external devices and peripherals, enhancing the versatility of the Panel PCs across different applications.

## SPECIFICATIONS

System Specification			
<b>WLAN</b>	Support (Optional)	<b>BT</b>	Support (Optional)
<b>Processor</b>	Intel® Core™ i5-1235U 3.3GHz(up to 4.40 GHz)	<b>Memory</b>	1 x SO-DIMM, DDR5 4800 MHz, 8GB 16GB (Optional) 32GB (Optional)
<b>Storage</b>	1 x M.2 2280 M-Key NVMe SSD 256GB 512GB (Optional) 1TB (Optional) 2TB (Optional)	<b>Ethernet controller</b>	1 x Intel® Ethernet Controller
<b>Security</b>	TPM 2.0	<b>Operating System</b>	Windows 11 IoT Enterprise (64 bit) (Optional) Windows 11 Pro 64 bit (Optional) Linux Ubuntu 22.04(Do not support Wake on Touch) (Optional)

Display			
<b>Resolution</b>	1024x768	<b>Size</b>	15.0 inches
<b>Contrast Ratio</b>	2000:1	<b>Panel Brightness</b>	1000.0 nits
<b>View Angles</b>	88,88,88,88	<b>Active Area</b>	304.1x228.1 mm
<b>Touch / Glass</b>	Projected Capacitive Multi Touch Screen Bonding With Panel Ture Flat Resistive Touch Screen Bonding With Panel (Optional) Ture Flat Protection Glass Bonding With Panel (Optional)		
Mechanical			
<b>Dimension</b>	379.4 x 278.4 x 58 mm	<b>Weight</b>	3.8 kg
<b>Mounting</b>	VESA mount	<b>Enclosure</b>	Aluminum Housing Pre finish: Surtec 650, Type II, Class 3 Coating: Polyester powder coating
<b>Cooling System</b>	Fanless Design		
Environment			
<b>Operating Humidity</b>	10% to 90% RH, Non-Condensing	<b>Operating Temperature</b>	-10°C to 55°C -40°C to 70°C (with intelligent heater)
<b>Storage Temperature</b>	-30°C to 70°C	<b>Shock</b>	MIL-STD-810G Method 516.6 Procedure I
<b>Vibration</b>	MIL-STD-810G Method 514.6 Procedure I	<b>IP rating</b>	IP67
Certification			
<b>Certification</b>	CE, FCC		
IO Ports			
<b>Power Input</b>	1 x M12 waterproof connector for 9~36V DC	<b>USB Port</b>	1 x M12 waterproof connector for 2 x USB2.0
<b>Serial Port</b>	1 x M12 waterproof connector for RS232	<b>LAN</b>	1 x waterproof Giga LAN RJ45 connector
<b>Indicator</b>	1 x LED Indicator for power 1 x LED Indicator for storage		
Control			
<b>Button</b>	1 x "Power" key to power on the device. 1 x "+" key to increase screen brightness. 1 x "-" key to decrease screen brightness. 1 x "Menu" key can Automatically or manually adjusts brightness of the display screen 1 x Day / Night Mode button 1 x LED indicator brightness adjustment button 1 x Ambient Light sensor		
Accessory			
<b>Accessory</b>	External open wire Power cable with waterproof connector External USB cable with waterproof connector External COM cable with waterproof connector External LAN cable with waterproof connector Waterproof caps RJ45 female-female converter USB Type A converter VESA screws	<b>Optional Accessory</b>	100~240V AC to DC 120W Adapter with power cord (Optional)
Ordering Information			
<b>Option</b>	R15IAD3S-67C3-R(HB) for Resistive Touch (Optional) R15IAD3S-67C3-G(HB) for Anti Reflective Protection Glass (Optional)		

**DIMENSIONS** UNIT:MM



**NOTE**

1. This is a simplified drawing and some components are not marked in detail.
2. Weight of the device varies by configuration.
3. Please contact our sales representative if you need further product information.
4. All specifications are subject to change without prior notice.
5. The product shown in this datasheet is a standard model. For diagrams that contain customized or optional I/O, please contact the Winmate Sales Team for more information.

## Assured Systems

Assured Systems is a leading technology company with over 1,500 regular clients in 80 countries, deploying over 85,000 systems to a diverse customer base in 12 years of business. We offer high-quality and innovative rugged computing, display, networking and data collection solutions to the embedded, industrial, and digital-out-of-home market sectors.

### US

[sales@assured-systems.com](mailto:sales@assured-systems.com)

Sales: +1 347 719 4508  
Support: +1 347 719 4508

1309 Coffeen Ave  
Ste 1200  
Sheridan  
WY 82801  
USA

### EMEA

[sales@assured-systems.com](mailto:sales@assured-systems.com)

Sales: +44 (0)1785 879 050  
Support: +44 (0)1785 879 050

Unit A5 Douglas Park  
Stone Business Park  
Stone  
ST15 0YJ  
United Kingdom

VAT Number: 120 9546 28  
Business Registration Number: 07699660