

NViS 3620

Mobile NVR Surveillance Fanless System
with Intel® Core™ i5-4300U



Main Features

- Intel® Core™ processor dual core i5-4300U
- Three SIM cards + dual WWAN modules support
- Dual externally accessible SATA 3.0 SSD/HDD
- Built-in U-blox UBX-G6010 GPS, optional Dead Reckoning support
- Built-in CAN 2.0B. Optional OBDII function (SAE J1939/J1708)
- Wake on RTC/SMS via WWAN module
- Voice communication via WWAN module
- Compliant with MIL-STD-810G
- 4 x mini-PCIe socket rich expansion capability

Product Overview

NViS 3620 features powerful new generation Intel® Core™ processor i5-4300U. Its CPU performance gives the users the ability to adapt to what they need in any Surveillance applications. Its Intel® HD graphics 4400 engine allows users to fully take advantage of NViS 3620 providing a wide variety of display I/O configurations of 2 different video outputs (VGA, DP). NViS 3620 is equipped with 2 externally accessible SSD/HDD tray users can easily download or upload the data on other devices by just removing the storage devices from NViS 3620. By integrating the variety of I/O ports and 4 x mini-PCIe sockets expansibility, NViS 3620 is not only suitable for video surveillance application, but also can meet the demand for other telematics applications, such as infotainment, fleet management and dispatching system. With dual SIM cards support, NViS 3620 allows three SIM cards backup each other for a better connectivity quality by software. In addition, three SIM cards + dual WWAN modules architecture can increase the bandwidth for a faster data transfer speed. Not only data transmission, NViS 3620 also supports two-way voice communication. Equipped with intelligent power management, NViS 3620 can be waked on by ignition, RTC timer or SMS/Ring remotely.

Specifications

CPU

- Intel® Core™ processor dual core i5-4300U, 1.9GHz

Memory

- 2 channel 204-pin DDR3L SO-DIMM socket support 1333/1600MHz up to 16GB (default built-in 4GB)

Storage

- 2 x 2.5" SATA 3.0 SSD/HDD (externally accessible), RAID 0/1 supported (optional lockable storage available)
- 1 x CFast (externally accessible)

Expansion

- 1 x Full size mini-PCIe socket (USB 2.0)
- 1 x Full size mini-PCIe socket (USB 2.0 + PCIe)
- 1 x Full size mini-PCIe socket (USB 2.0 + PCIe)
- 1 x Half size mini-PCIe socket (USB 2.0 + PCIe)

Function

- 1 x default U-blox UBX-G6010 GPS module (50-channel and GALILEO) or optional modules with Dead Reckoning or GLONASS support
- Built-in G-sensor

Software Support

- Windows 8, WES8

- Window 7, WES7
- Linux kernel 3.X

I/O Interface-Front

- 4 x LED for power, storage, WWAN, WLAN
- 2 x Externally accessible SATA 3.0 SSD/HDD tray, RAID 0/1 supported (optional lockable storage available)
- 1 x Dual USB type A connector for USB 3.0 port + USB 2.0 port
- 2 x Externally accessible SIM card socket (selectable)
- 1 x Phone jack 3.5mm for 1 x MIC-in
- 1 x Phone jack 3.5mm for 1 x Line-out
- 1 x Externally accessible CFast card socket with cover
- 1 x Event button (trigger type)
- 1 x Reset button
- 3 x Antenna hole for WWAN/WLAN/BT

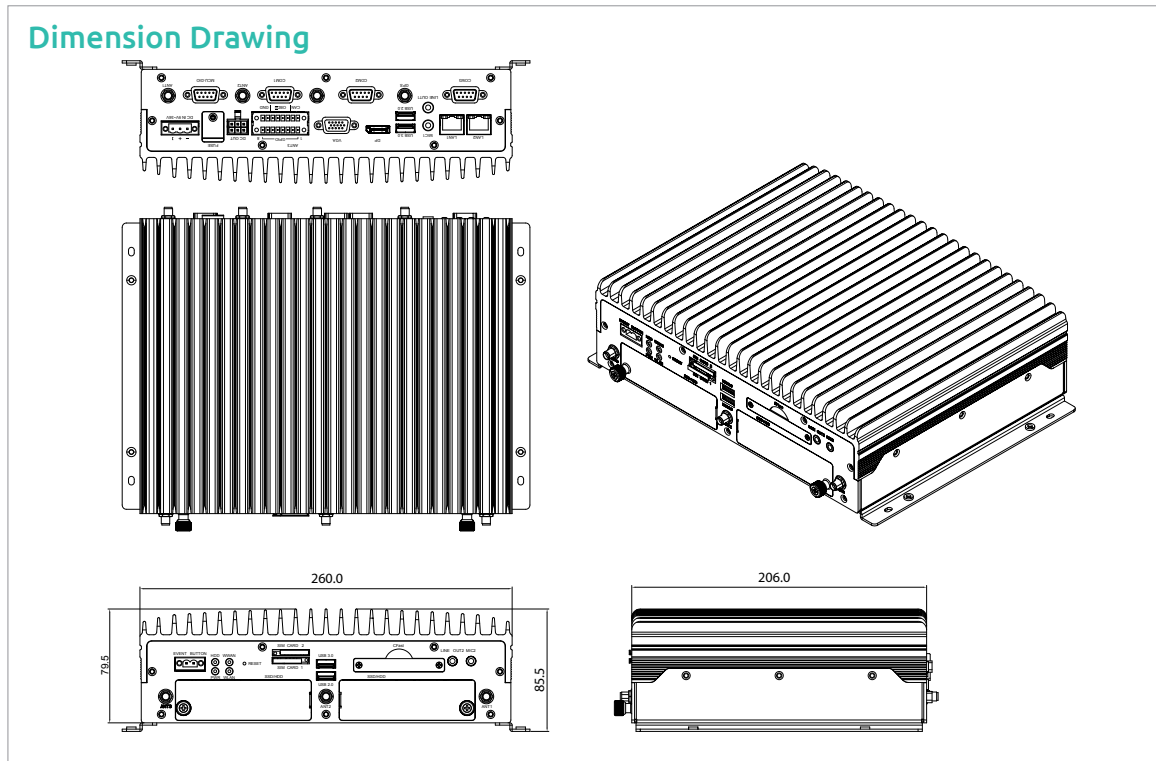
I/O Interface-Rear

- 1 x 9 ~ 36VDC input with ignition
- 1 x Dual USB type A connector for USB 3.0 port + USB 2.0 port
- 2 x RJ45 10/100/1000 Fast Ethernet with LED
- 1 x Phone jack 3.5mm for 1 x MIC-in
- 1 x Phone jack 3.5mm for 1 x Line-out with 1.5W output each
- 1 x DB-15 VGA. Resolution up to 2560 x 1600 @60Hz
- 1 x DP port. Resolution up to 2560 x 1600 @60Hz
- 2 x DB-9 RS232

www.nexcom.com



Dimension Drawing



- 1 x DB-9 RS232/422/485 (R1/5V/12V selectable)
- 1 x DB-9 for CAN 2.0B (optional CAN Bus 2.0B mini-PCIe card), 2 x MCU-DI and 2 x MCU-DO
- 1 x 16-pin terminal block
- 1 x CAN Bus 2.0B (on board)
- 1 x Optional OBDII module (ASE J1939 or J1708)
- 8 x Programmable GPIO
(Digital Input)
Input voltage (internal type): 5VDC TTL (default)
Input voltage (source type): 3 ~ 12VDC
(Digital Output)
Digital output (sink type): 5VDC TTL (default), max. current: 20mA
Digital output (source type): 3 ~ 24VDC, max. current: 150mA
- 1 x 12VDC output (2A), SM Bus
- 4 x Antenna hole for WWAN/WLAN/BT/GPS
- 1 x Fuse (15A)

Power Management

- Selectable boot-up & shut-down voltage for low power protection by software
- Setting 8-level power on/off delay time by software
- Status of ignition and low voltage can be detected by software
- Support S3/S4 suspend mode

Dimensions

- 260mm (W) x 206mm (D) x 79.5mm (H) (10.24" x 8.11" x 3.13")
- Weight: 2.5kg

Environment

- Operating temperature: Ambient with air -30°C ~ 60°C
- Storage temperature: -35°C ~ 85°C
- Relative humidity: 10% ~ 90% (non-condensing)
- Vibration (random): 1.5g@5 ~ 500Hz (in operation, HDD), 2g@5 ~ 500Hz (in operation, SSD)
- Vibration (SSD/HDD):
Operating: MIL-STD-810G, Method 514.6, Category 4, common carrier
US highway truck vibration exposure
Storage: MIL-STD-810G, Method 514.6, Category 24, minimum integrity test

Shock (SSD/HDD):

- Operating: MIL-STD-810G, Method 516.6, Procedure I, Functional shock=20g Non-operating: MIL-STD-810G, Method 516.6, Procedure V, crashhazard shock test=75g

Certifications

- CE approval
- FCC Class B
- E13 Mark

Ordering Information

- **NViS 3620 (P/N: 10C00362000X0)**

Assured Systems

Assured Systems is a leading technology company with over 1,500 regular clients in 80 countries, deploying over 85,000 systems to a diverse customer base in 12 years of business. We offer high-quality and innovative rugged computing, display, networking and data collection solutions to the embedded, industrial, and digital-out-of-home market sectors.

US

sales@assured-systems.com

Sales: +1 347 719 4508
Support: +1 347 719 4508

1309 Coffeen Ave
Ste 1200
Sheridan
WY 82801
USA

EMEA

sales@assured-systems.com

Sales: +44 (0)1785 879 050
Support: +44 (0)1785 879 050

Unit A5 Douglas Park
Stone Business Park
Stone
ST15 0YJ
United Kingdom

VAT Number: 120 9546 28
Business Registration Number: 07699660