

APPD 1206T

12.1" IP65 Industrial 4:3 XGA LCD Flush Touch Monitor



Main Features

- IP65 compliant plastic front bezel with flush panel by 5-wire touch screen
- Triple display input interface: analog VGA/DVI-D/DisplayPort
- Shares identical appearance with APPC series
- Dual touch screen interface: RS232 and USB
- Ultra slim in depth
- OSD multilanguage function

Product Overview

12.1" 4:3 LCD display APPD 1206T is based on a 5-wire resistive touch screen. It has 500 nits brightness and can support resolutions up to 1024 x 768. APPD 1206T is ideal for space-critical environments where systems and displays are kept apart. In addition, APPD 1206T adopts a flush panel design and has IP65 front panel. APPD 1206T provides prevailing video interfaces: VGA, DVI and DisplayPort supporting both digital and analog signals; touch screen can be connected with RS232 or USB ports. Moreover, APPD 1206T supports 12~24VDC power input and offers panel mount and VESA mount, allowing users to choose the mounting method that meets their situation. APPD 1206T is the best solution for NEXCOM NISE fanless computer, NVIS security surveillance series and APPC panel PC when a second display is required.

Specifications

Panel

- LCD size: 12.1", 4:3
- Resolution: XGA 1024 x 768
- Luminance: 500cd/m²
- Contrast ratio: 700
- LCD color: 16.7M
- Viewing angle: 70 (U), 70 (D), 80 (L), 80 (R)
- Backlight: LED

Touch Screen

- 5-Wire resistive (flush panel type)
- Light transmission: 80%
- Interface: USB and RS232

Rear I/O

- Touch screen interface port: RS-232 (1 x DB9)/USB type A
- Video port: VGA (1 x DB15)/DVI-D (1 x DVI-I connector)/DisplayPort
- DC power input connector: 3-pin Phoenix terminal Blocks

OSD Function

- OSD keypad
- Multilanguage OSD

Mechanical & Environment

- Color: Pantone black and black silver chassis box
- IP protection: IP65 front
- Mounting: panel/wall/stand/VESA 100mm x 100mm
- Power
 - Power input: 12V~24VDC
 - Power adapter: optional AC to DC power adapter (+12V, 60W)
- Vibration
 - IEC 68 2-64
 - 2Grms @ sine, 5~500Hz, 1hr/axis (operating)
 - 2.2Grms @ random condition, 5~500Hz, 0.5hr/axis (non-operating)
- Shock
 - IEC 68 2-27
 - 20G@wall mount, half sine, 11ms
 - Operating temperature: -5°C~50°C
 - Storage temperature: -20°C~75°C
- Operating humidity: 10%~90% relative humidity, non-condensing
- Dimension: 317 x 243 x 53.5mm
- Weight: 2.8 kg

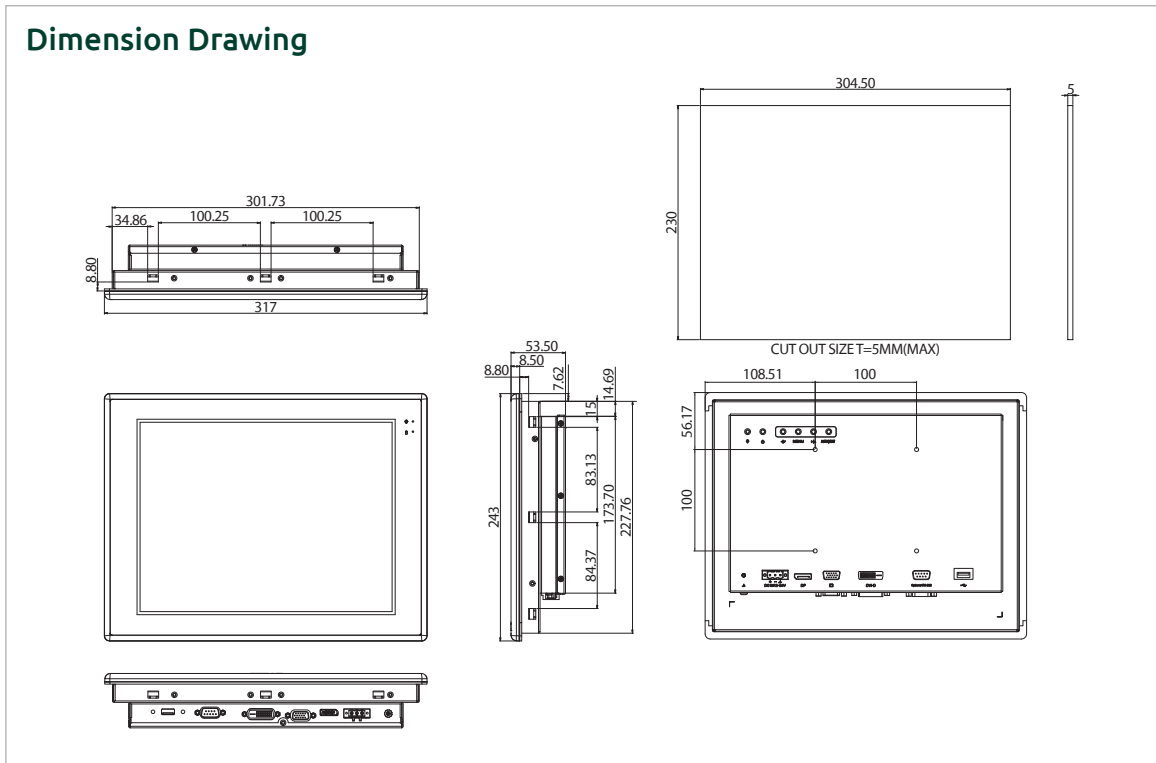
Certifications

- CE approval
- FCC Class B



www.nexaiot.com

Dimension Drawing



Ordering Information

- **APPD 1206T (P/N: 10IA1206T00X0)**
12.1" XGA industrial 4:3 TFT LED backlight flush touch monitor with VGA, DVI-D and DisplayPort, 12~24VDC input, RS-232 and USB touch screen interfaces

Options

- **12V, 60W AC/DC power adapter w/o power cord (P/N: 7400060048X00)**
- **1.8m DVI-D male to DVI-D male cable (P/N: 603DVI0007X00)**

Assured Systems

Assured Systems is a leading technology company with over 1,500 regular clients in 80 countries, deploying over 85,000 systems to a diverse customer base in 12 years of business. We offer high-quality and innovative rugged computing, display, networking and data collection solutions to the embedded, industrial, and digital-out-of-home market sectors.

US

sales@assured-systems.com

Sales: +1 347 719 4508
Support: +1 347 719 4508

1309 Coffeen Ave
Ste 1200
Sheridan
WY 82801
USA

EMEA

sales@assured-systems.com

Sales: +44 (0)1785 879 050
Support: +44 (0)1785 879 050

Unit A5 Douglas Park
Stone Business Park
Stone
ST15 0YJ
United Kingdom

VAT Number: 120 9546 28
Business Registration Number: 07699660