

# KS156-BT



Intel Celeron® J1900 Processor  
15.6" Industrial Touch Panel PC



## KEY FEATURES



### Touch Type

Projected Capacitive Touch



### Multiple Storage

1x 2.5" SATA drive bay



### Rich I/O

2 LAN, 2 COM, 1 USB 3.0, 2 USB 2.0

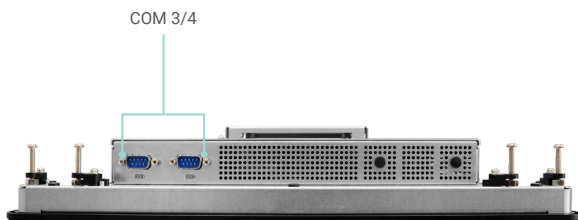


### IP Rating

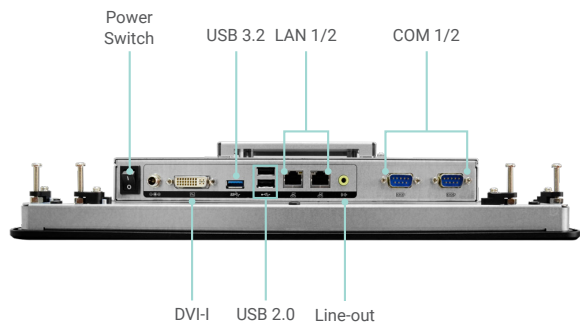
IP65 Front Panel Protection



## PANEL

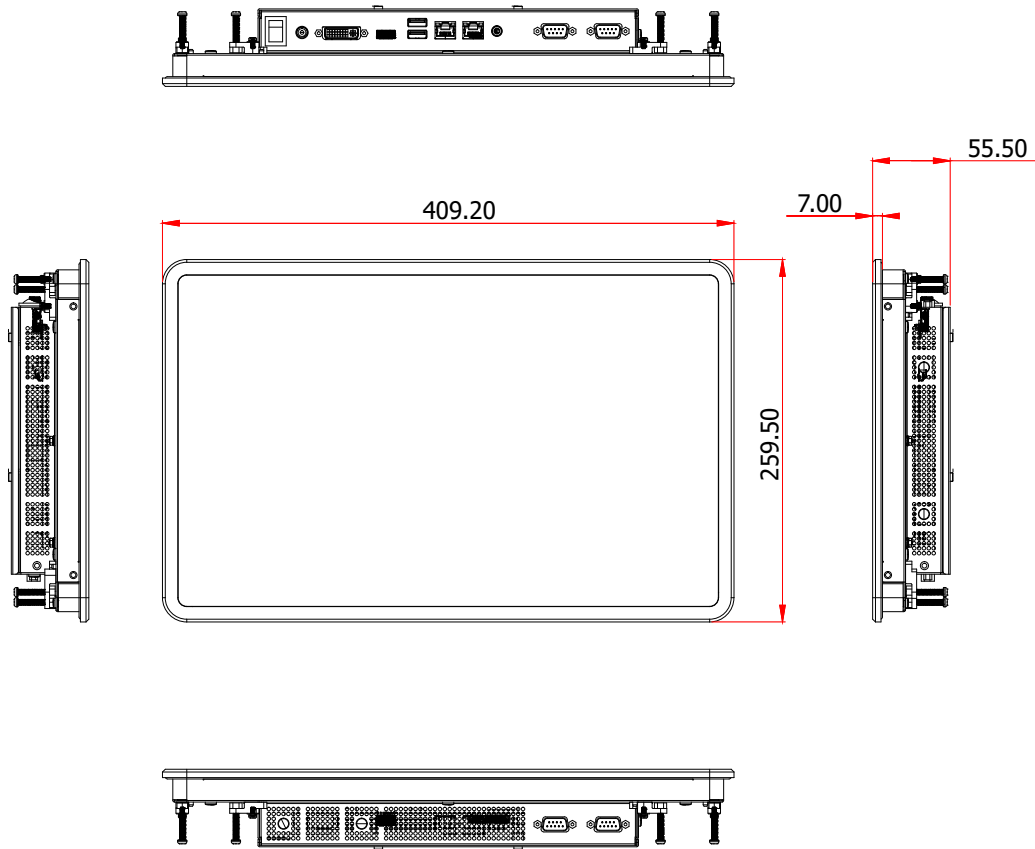


Top View



Bottom View

**DIMENSIONS**



## SPECIFICATION

DISPLAY AND TOUCH SCREEN	Display	15.6" TFT LCD Panel	
	Contrast	700 : 1	
	Max. Resolution	1920 x 1080	
	Touch Type	Projected Capacitive	
	Brightness	400 (cd/m <sup>2</sup> )	
	Backlight Lifetime	50,000 hours (Min)	
SYSTEM	Processor	Intel Celeron® J1900 Processor, 2M Cache, Max. Speed: 2.42GHz, 10W	
	Memory	One SODIMM up to 4GB Single Channel DDR3L 1066MHz	Two SODIMM up to 8GB Dual Channel DDR3L 1333MHz
	BIOS	AMI SPI 64Mbit	
GRAPHICS	Controller	Intel® HD Graphics	
	Feature	OpenGL 4.0, DirectX 11, OCL 1.2, OGL 4.0, H.264, MPEG2, MVC, VC-1, WMV9 and VP8 (supported version dependent on OS)	
	Display	1 x DVI-I 24-bit, resolution up to 1920x1080 @ 60Hz	
STORAGE	External	1 x 2.5" SATA 2.0 Drive Bay 1 x mSATA (Shared by Mini PCIe Socket)	
EXPANSION	Interface	1 x PCIe x1 1 x Mini PCIe 1 x SIM card	
AUDIO	Audio Codec	Realtek ALC888	
Ethernet	Controller	2 x Intel® I210AT	
LED	Indicators	Power, HDD LED	
I/O	Ethernet	2 x GbE	
	Serial	2 x RS232/422/485	
	USB	1 x USB 3.2 2 x USB 2.0	
	Display	1 x DVI-I	
	Audio	1 x line-out	
	Button	1 x Power Switch	
POWER	Type	DC 19-24V	
	Connector	DC Jack	
OS SUPPORT	Microsoft	Win10 IoT	
MECHANISM	Construction	Sheet Metal	
	Mounting	Panel / VESA Mount	
	IP Rating	IP65 Front Panel Protection without power button	
	Dimensions(W x H x D)	409 x 259 x 65.5 mm	
	Weight	6.2 Kg	
ENVIRONMENT	Operating Temperature	0 ~ 50°C (SSD)	
	Storage Temperature	-30 ~ 70°C	
	Relative Humidity	5~85% RH (non-condensing)	
STANDARDS AND CERTIFICATION	Shock	OP: Half-sine, 3G @ 11ms Non-OP: Half-sine, 5G @ 11ms	
	Vibration	OP: Random, 1Grms @ 5~500Hz, 30min Non-OP: Sweep sine, 3Grms @ 10~500Hz, 30min	
	Certification	CE/FCC	

## PACKING LIST

• 1 KS156-BT Touch Panel PC
• 4 M3 Screws
• 1 SATA cable

## Assured Systems

Assured Systems is a leading technology company with over 1,500 regular clients in 80 countries, deploying over 85,000 systems to a diverse customer base in 12 years of business. We offer high-quality and innovative rugged computing, display, networking and data collection solutions to the embedded, industrial, and digital-out-of-home market sectors.

### US

[sales@assured-systems.com](mailto:sales@assured-systems.com)

Sales: +1 347 719 4508  
Support: +1 347 719 4508

1309 Coffeen Ave  
Ste 1200  
Sheridan  
WY 82801  
USA

### EMEA

[sales@assured-systems.com](mailto:sales@assured-systems.com)

Sales: +44 (0)1785 879 050  
Support: +44 (0)1785 879 050

Unit A5 Douglas Park  
Stone Business Park  
Stone  
ST15 0YJ  
United Kingdom

VAT Number: 120 9546 28  
Business Registration Number: 07699660